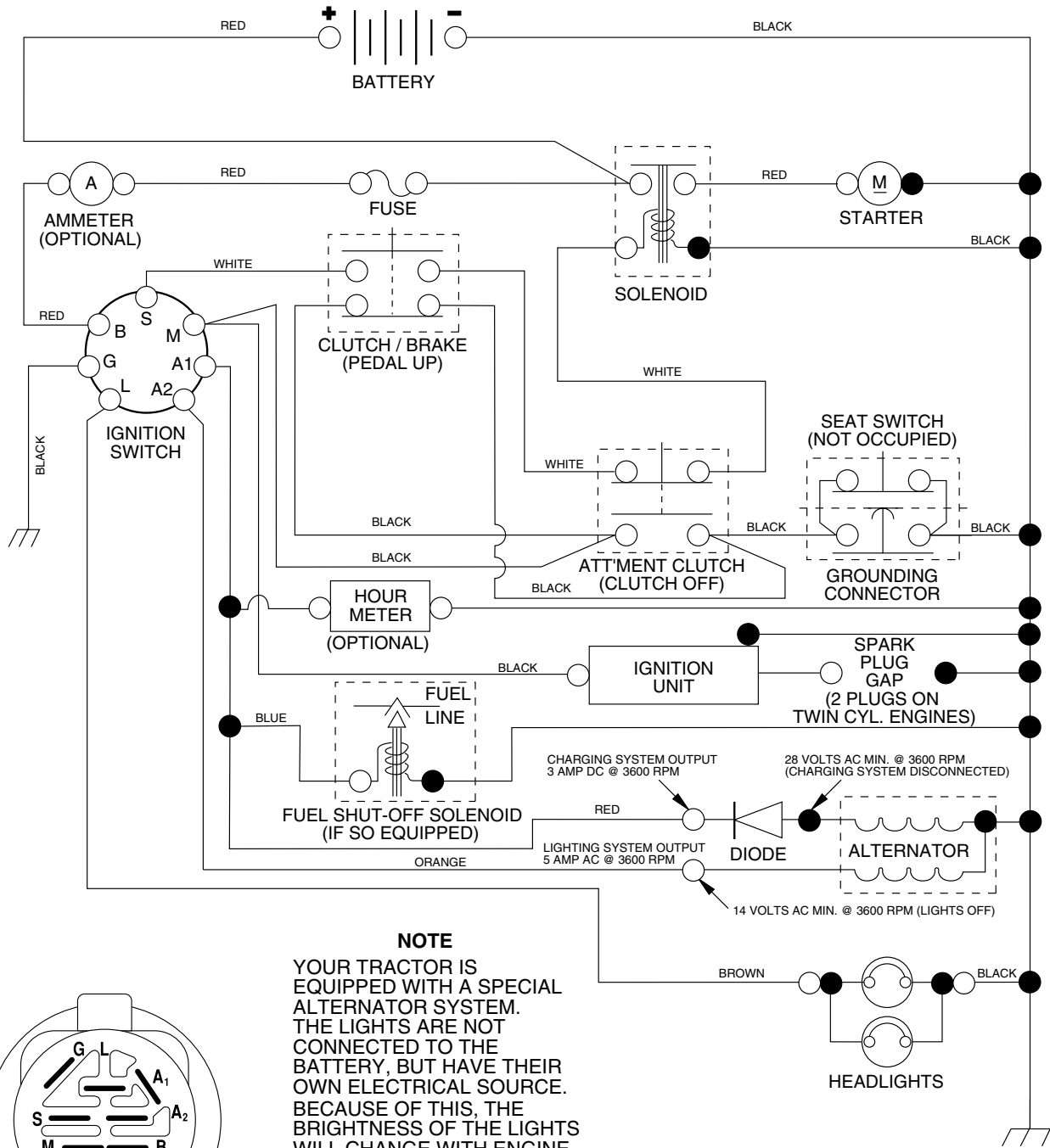
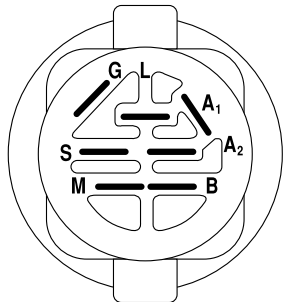


TRACTOR - - MODEL NUMBER WE12538L, PRODUCT NO. 954 56 29-06

SCHEMATIC



NOTE
 YOUR TRACTOR IS EQUIPPED WITH A SPECIAL ALTERNATOR SYSTEM. THE LIGHTS ARE NOT CONNECTED TO THE BATTERY, BUT HAVE THEIR OWN ELECTRICAL SOURCE. BECAUSE OF THIS, THE BRIGHTNESS OF THE LIGHTS WILL CHANGE WITH ENGINE SPEED. AT IDLE THE LIGHTS WILL DIM. AS THE ENGINE IS SPEEDED UP, THE LIGHTS WILL BECOME THEIR BRIGHTEST.



IGNITION SWITCH

| POSITION | CIRCUIT | "MAKE" |
|-----------|------------|--------|
| OFF | M+G+A1 | NONE |
| RUN/LIGHT | B+A1 | A2+L |
| RUN | B+A1 | NONE |
| START | B + S + A1 | NONE |

WIRING INSULATED CLIPS

NOTE: IF WIRING INSULATED CLIPS WERE REMOVED FOR SERVICING OF UNIT, THEY SHOULD BE REPLACED TO PROPERLY SECURE YOUR WIRING.

NON-REMOVABLE CONNECTIONS

REMOVABLE CONNECTIONS

REPAIR PARTS

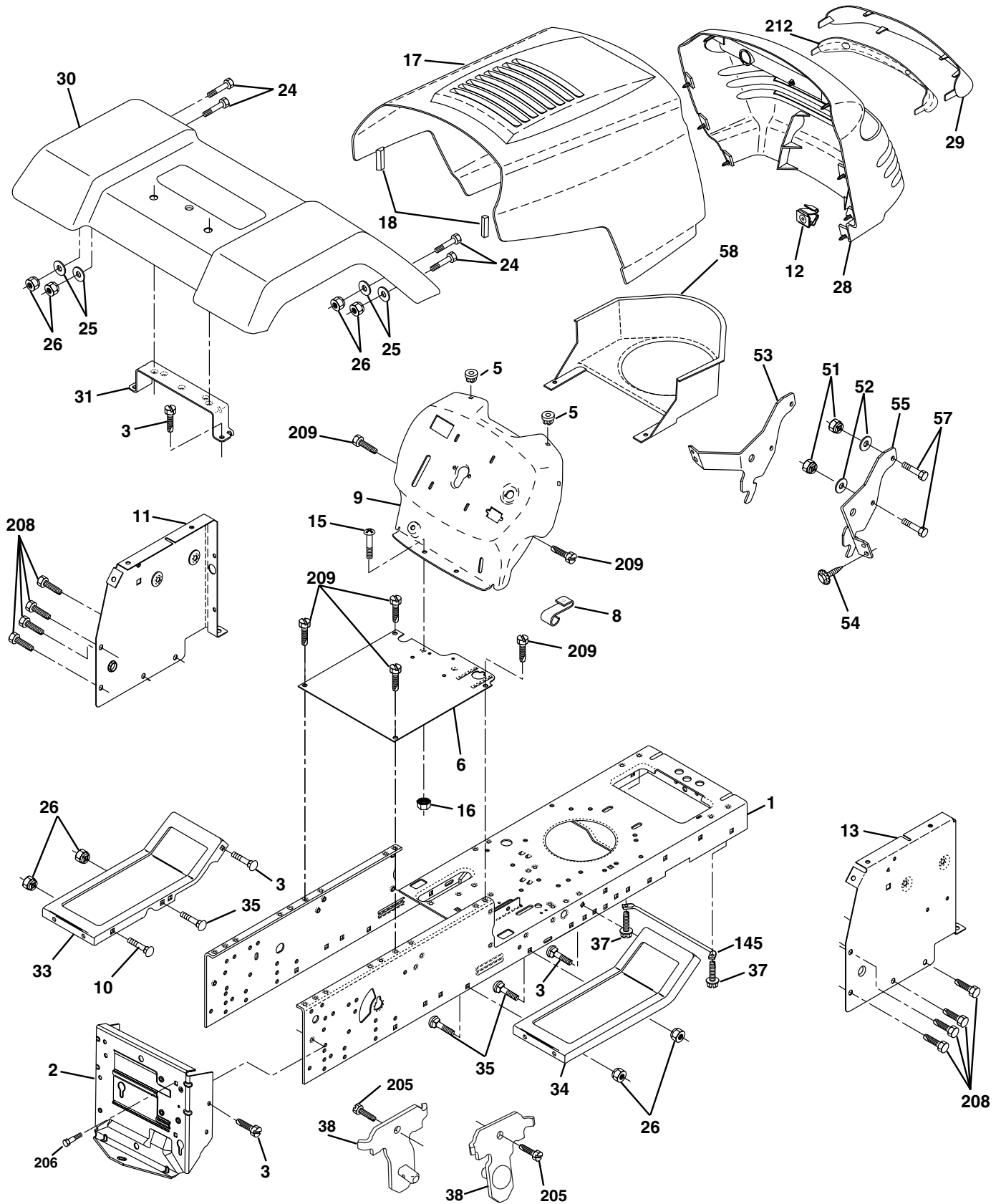
TRACTOR - - MODEL NUMBER WE12538L, PRODUCT NO. 954 56 29-06
ELECTRICAL

| KEY NO. | PART NO. | DESCRIPTION |
|---------|---------------|-----------------------------|
| 1 | 163465 | Battery |
| 2 | 74760412 | Bolt Hex Hd 1/4-20unc X 3/4 |
| 8 | 176689 | Box Battery |
| 16 | 176138 | Switch Interlock |
| 21 | 175685 | Harness Asm Light W/4152j |
| 22 | 4152J | Bulb Light #1156 |
| 24 | 4799J | Cable Battery 6 Ga 11"red |
| 25 | 146147 | Cable Battery |
| 26 | 175158 | Fuse 20 AMP |
| 27 | 73510400 | Nut Keps Hex 1/4-20 Unc |
| 28 | 4207J | Cable Ground 6 Ga 12"black |
| 29 | 121305X | Switch Plunger Nc Gray |
| 30 | 175566 | Switch Ign |
| 33 | 140401 | Key Ign |
| 40 | 179720 | Harness Ign |
| 41 | 71110408 | Bolt Blk Fin Hex 1/4-20 |
| 42 | 131563 | Cover Terminal Red |
| 43 | 178861 | Solenoid |
| 48 | 140844 | Adapter Ammeter |
| 52 | 141940 | Protection Wire Loop |
| 90 | 180449 | Cover Terminal Battery |

NOTE: All component dimensions given in U. S. inches 1 inch = 25.4 mm.

REPAIR PARTS

TRACTOR - - MODEL NUMBER WE12538L, PRODUCT NO. 954 56 29-06
CHASSIS



REPAIR PARTS

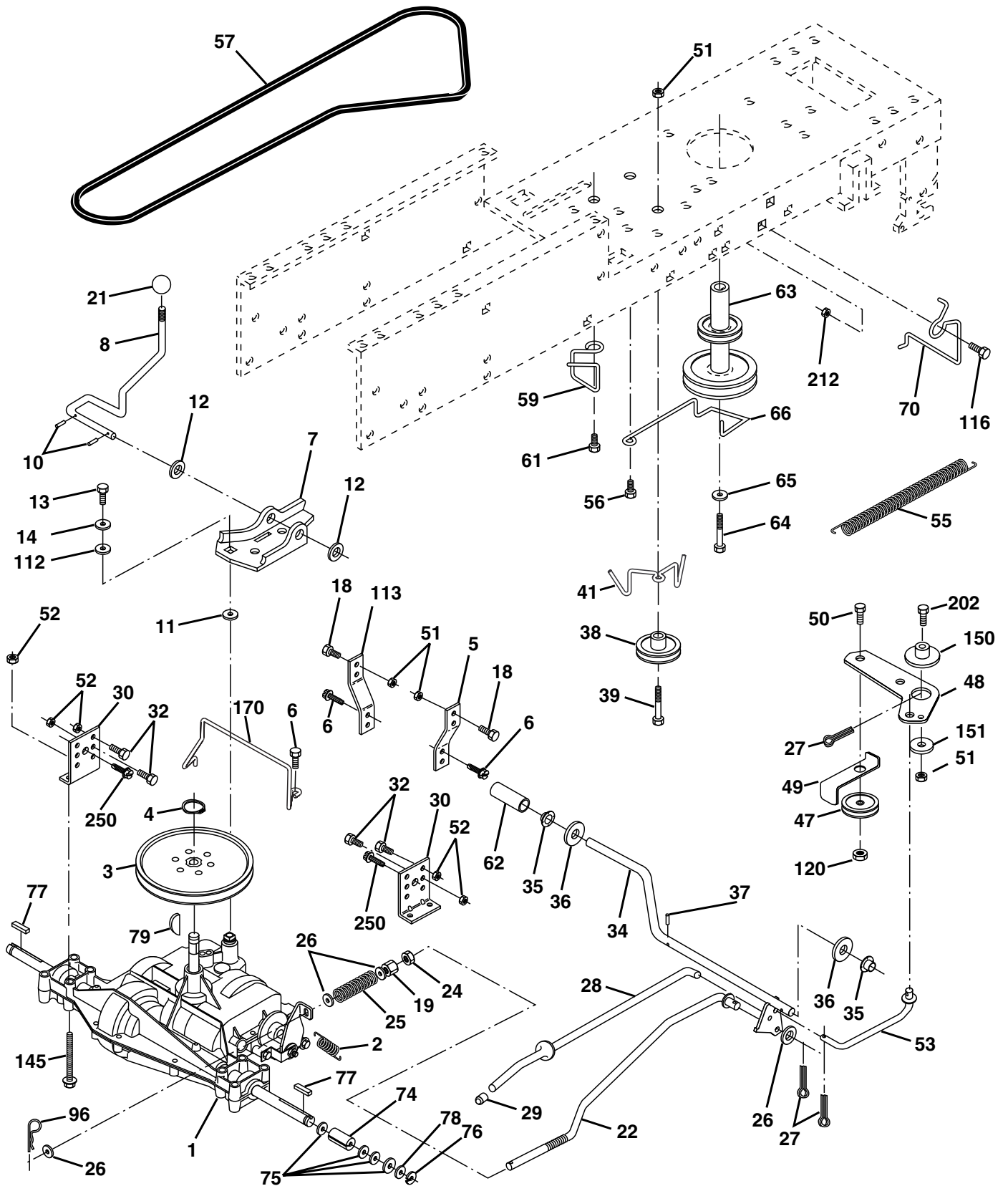
TRACTOR - - MODEL NUMBER WE12538L, PRODUCT NO. 954 56 29-06 CHASSIS

| KEY NO. | PART NO. | DESCRIPTION |
|---------|------------|----------------------------------|
| 1 | 174620 | Chassis |
| 2 | 176554 | Drawbar, Stretch |
| 3 | 17060612 | Screw 3/8-16 x 3/4 |
| 5 | 155272 | Bumper, Hood/Dash |
| 6 | 174643X013 | Saddle Silkscreen Flt Sdl |
| 8 | 155138 | Clip Retainer Slide-On |
| 9 | 168347X011 | Dash |
| 10 | 72140608 | Bolt, Carriage 3/8-16 x 1 |
| 11 | 174996 | Panel Dash LH |
| 12 | 145660 | Clip Tinnerman Grille P.L |
| 13 | 172105X010 | Panel Silkscr Dash RH |
| 15 | 74180512 | Screw Mach TRHD 5/16-18uncx3/4 |
| 16 | 73510500 | Nut Keps 5/16-18 Unc |
| 17 | 159639x550 | Hood |
| 18 | 126938X | BumperHood |
| 24 | 74780616 | Bolt Fin Hex 3/8-16unc X 1 Gr. 5 |
| 25 | 19131312 | Washer 13/32 X 13/16 X 12 Ga |
| 26 | 73800600 | Nut Lock Hex w/Ins 3/8-16 Unc |
| 28 | 179101 | Grille/Lens Asm |
| 29 | 140273X599 | Lens Grille Private Label |
| 30 | 169465X550 | Fender |
| 31 | 136619 | Bracket Fender Repl 109873x |
| 33 | 179716X550 | Footrest Pnt LH |
| 34 | 179717X550 | Footrest Pnt RH |
| 35 | 72110606 | Bolt Rdhd Sht Sqnk 3/8-16 X3/4 |
| 37 | 17490508 | Screw Thdrol 5/16-18 x 1/2 TYT |
| 38 | 175710 | Bracket Asm. Pivot Mower Rear |
| 51 | 73800400 | Nut Lock W/Insert 1/4-20unc |
| 52 | 19091416 | Washer 9/32 x 7/8x16 Ga. |
| 53 | 144697 | Bracket Grille Lh |
| 54 | 161464 | Screw Hex 8-18 x 7/8 |
| 55 | 144696 | Bracket Grille Rh |
| 57 | 74780412 | Bolt Fin Hex 1/4-20 unc x .75 |
| 58 | 150127 | Duct Air Engine PL/LT |
| 145 | 156524 | Rod Pivot Chassis/Hood |
| 205 | 17490608 | Screw Thdrol 3/8-16 x 1/2 |
| 206 | 170165 | Bolt Shoulder 5/16-18 |
| 208 | 17670608 | Screw Thdrol 3/8-16 x 1/2 |
| 209 | 17000612 | Screw Hex Wsh Thdrol 3/8-16 |
| 212 | 156229 | Insert Lens Reflect |
| --- | 5479J | Plug Button Blk 359 Dia Choke |

NOTE: All component dimensions given in U.S. inches
1 inch = 25.4 mm.

REPAIR PARTS

TRACTOR - - MODEL NUMBER WE12538L, PRODUCT NO. 954 56 29-06
DRIVE



REPAIR PARTS

TRACTOR - - MODEL NUMBER WE12538L, PRODUCT NO. 954 56 29-06

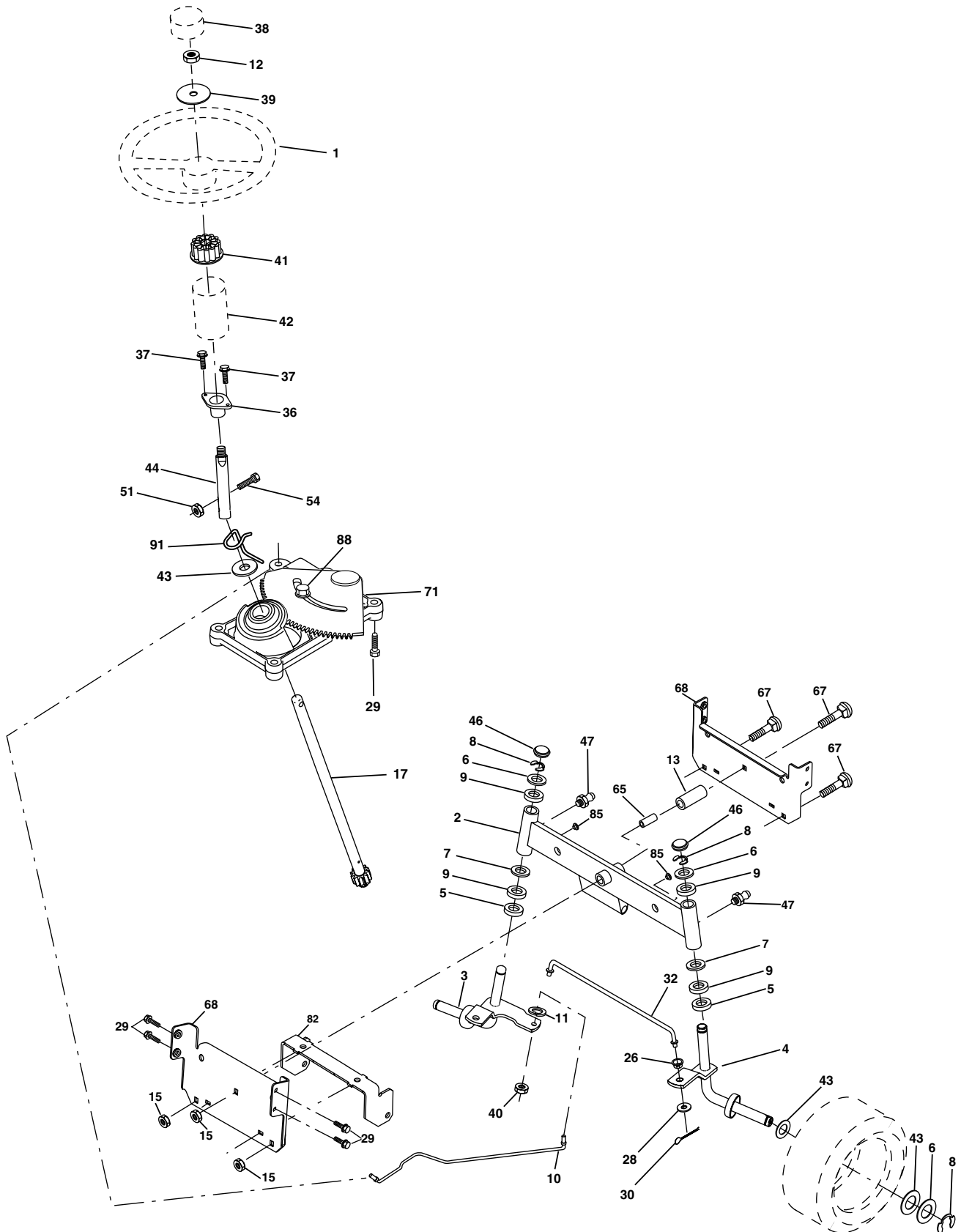
DRIVE

| KEY NO. | PART NO. | DESCRIPTION | KEY NO. | PART NO. | DESCRIPTION |
|---------|----------|--|---------|---------------|----------------------------------|
| 1 | ----- | Transaxle Peerless Model 205-544c (Order parts from transaxle manufacturer) | 49 | 123205X | Retainer Belt Style Spring |
| 2 | 146682 | Spring Return Brake | 50 | 74760624 | Bolt Hex Hd 3/8-16unc X 1-1/2 |
| 3 | 123666X | Pulley Transaxle 18"tires | 51 | 73680600 | Nut Crownlock 3/8-16 Unc |
| 4 | 12000028 | Ring Retainer # 5100-62 | 52 | 73680500 | Nut Crownlock 5/16-18 unc |
| 5 | 121520X | Strap Torque 30 Degrees RH | 53 | 105710X | Link Clutch 7 66 |
| 6 | 17060512 | Screw 5/16-18 x 3/4 | 55 | 105709X | Spring Return Clutch 6 75 |
| 7 | 162240 | Plate Rod Shift T/a | 56 | 17060620 | Screw 3/8-16 x 1-1/4 |
| 8 | 131679 | Rod Shifter Blk | 57 | 130801 | V-Belt Ground Drive 95 |
| 10 | 76020416 | Pin Cotter 1/8 X 1 Cad | 59 | 169691 | Keeper Belt Chassis Span Ctr |
| 11 | 105701X | Washer Plate Shf 388 Sq Hole | 61 | 17120614 | Screw 3/8-16 x .875 |
| 12 | 19151216 | Washer 15/32 X 3/4 X 16 Ga | 62 | 8883R | Cover Pedal Blk Round |
| 13 | 74550412 | Bolt 1/4-28 unf Gr. 8 w/Patch | 63 | 175410 | Engine Pulley LT/YT |
| 14 | 10040400 | Washer Lock Hvy Helical 1/4 | 64 | 71170764 | Bolt Hex 7/16-20x4 Gr 5 |
| 18 | 74780616 | Bolt Fin Hex 3/8-16unc X 1 Gr. 5 | 65 | 10040700 | Washer Lock Hvy Hlcl Spr 7/16 |
| 19 | 73800600 | Nut lock Hex w/Ins 3/8-16 Unc | 66 | 154778 | Keeper Belt Engine |
| 21 | 106933X | Knob Rd 1/2-13 Plstc Thds Blk | 70 | 134683 | Guide Belt Mower Drive RH |
| 22 | 130804 | Rod Brake LT | 74 | 137057 | Spacer Axle |
| 24 | 73350600 | Nut Hex Jam 3/8-16 Unc | 75 | 121749X | Washer 25/32 X 1 1/4 X 16 Ga |
| 25 | 106888X | Spring Rod Brake 2 00 Zinc | 76 | 12000001 | E-ring #5133-75 |
| 26 | 19131316 | Washer 13/32 X 13/16 X 16 Ga | 77 | 123583X | Key Square 2 0 X 1845/ 1865 |
| 27 | 76020412 | Pin Cotter 1/8 X 3/4 Cad | 78 | 121748X | Washer 25/32 X 1-5/8 X 16 Ga |
| 28 | 175765 | Rod Brake Parking LT/YT | 79 | 2228M | Key Woodruff |
| 29 | 71673 | Cap Brake Parking Black | 96 | 4497H | Retainer Spring 1" |
| 30 | 174973 | Bracket Transmission | 112 | 19091210 | Washer 9/32 X 3/4 X 10 Ga |
| 32 | 74760512 | Bolt Fin Hex 5/16-18 x 3/4 | 113 | 127285X | Strap Torque 90 Degrees LH |
| 34 | 175578 | Shaft Asm Pedal Foot Nibbed | 116 | 72140608 | Bolt Rdhd Sq Neck 3/8-16 x 1 |
| 35 | 120183X | Bearing Nylon Blk 629 Id | 120 | 73900600 | Nut Lock Flg 3/8-16 |
| 36 | 19211616 | Washer 21/32 X 1 X 16 Ga | 145 | 74490540 | Bolt Hex Flg.Hd. 5/16-18 x Gr.5 |
| 37 | 1572H | Pin Roll 3/16 X 1" | 150 | 175456 | Spacer Retainer Lt |
| 38 | 179114 | Pulley Composite Flat | 151 | 19133210 | Washer 13/32 x 2 x 10 Ga. |
| 39 | 74760648 | Bolt Fin Hex 3/8-16 x 3 | 170 | 178394 | Keeper, Belt Transaxle Gear |
| 41 | 175556 | Keeper Belt Idler | 202 | 72110614 | Bolt Carr Sh 3/8-16 x 1-3/4 Gr.5 |
| 47 | 127783 | Pulley Idler V Groove Plastic | 212 | 145212 | Nut Hex Flg Lock |
| 48 | 154407 | Bellcrank Clutch Grnd Drv STL | 250 | 17060612 | Screw 3/8-16 x 3/4 |

NOTE: All component dimensions given in U.S. inches
1 inch = 25.4 mm

REPAIR PARTS

TRACTOR - - MODEL NUMBER WE12538L, PRODUCT NO. 954 56 29-06
STEERING



REPAIR PARTS

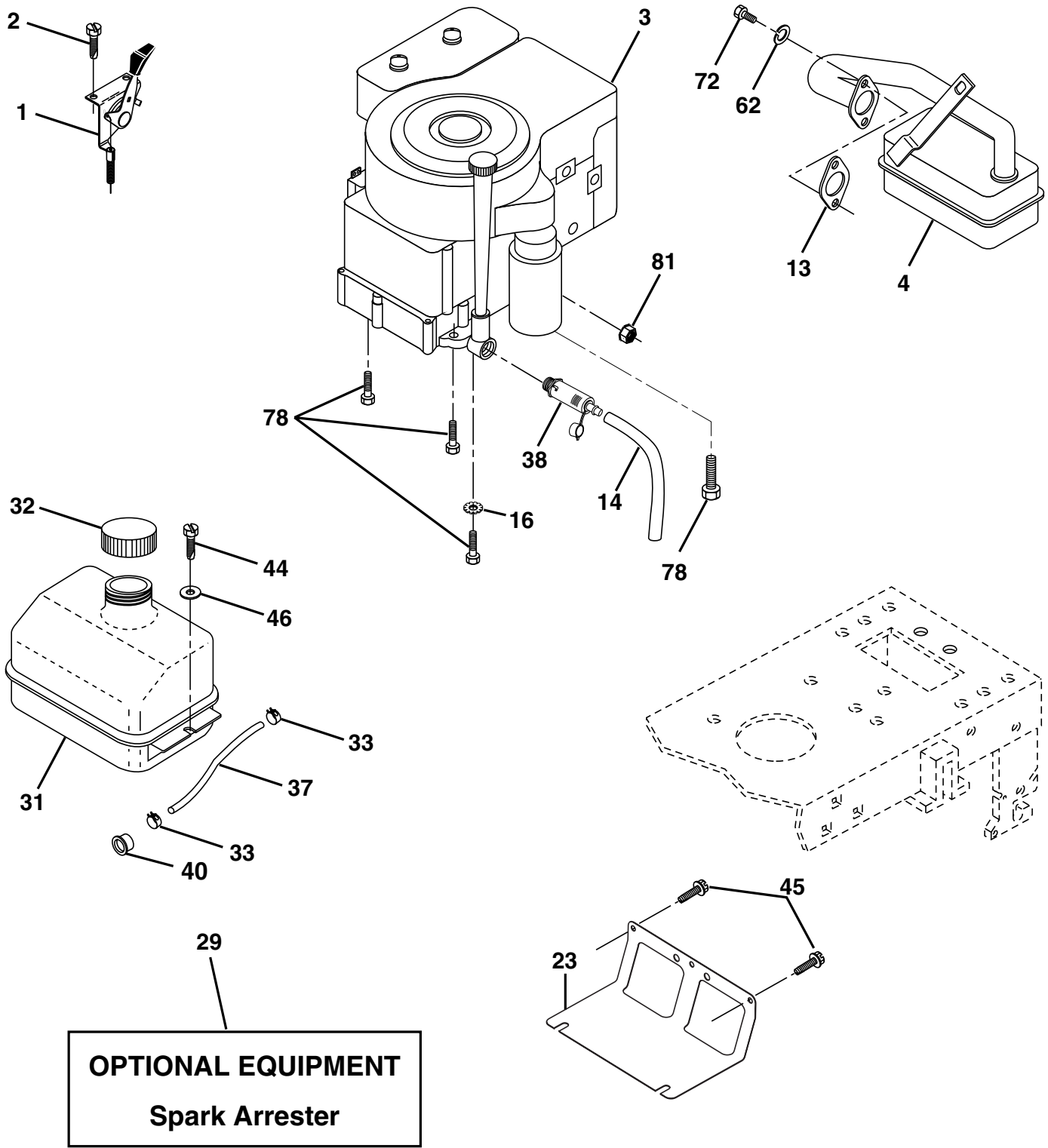
TRACTOR - - MODEL NUMBER WE12538L, PRODUCT NO. 954 56 29-06
STEERING

| KEY NO. | PART NO. | DESCRIPTION |
|---------|-------------------|---------------------------------|
| 1 | 140044X428 | Wheel Steering Ayp/P/L Blk |
| 2 | 175234 | Axle Asm |
| 3 | 169840 | Spindle Asm LH |
| 4 | 169839 | Spindle Asm RH |
| 5 | 6266H | Bearing Race Thrust Harden |
| 6 | 121748X | Washer 25/32 X 1-5/8 X 16 Ga |
| 7 | 19272016 | Washer 27/32 X 1-1/4 X 16 Ga |
| 8 | 12000029 | Ring Klip #t5304-75 |
| 9 | 3366R | Bearing Col Strg Blk |
| 10 | 175121 | Link Drag |
| 11 | 10040600 | Washer Lock Hvy Hlcl Spr 3/8 |
| 12 | 73940800 | Nut Hex Jam Toplock 1/2-20 Unf |
| 13 | 136518 | Spacer earing Axle Front |
| 15 | 145212 | Hexflange Lock |
| 17 | 180641 | Shaft Asm Strg |
| 26 | 126847X | Bushing Link Drag Blk LR |
| 28 | 19131416 | Washer 13/32 X 7/8 X 16 Ga |
| 29 | 17060612 | Screw 3/8-16 x 3/4 |
| 30 | 76020412 | Pin Cotter 1/8 X 3/4 Cad |
| 32 | 130465 | Rod Tie Wire Form 19 75 Mech |
| 36 | 155099 | Bushing Strg 5/8 Id Dash |
| 37 | 152927 | Screw |
| 38 | 140045X428 | Cap Wheel Steer Ayp |
| 39 | 19183812 | Washer 9/16 ID X 2-3/8 OD 12 Ga |
| 40 | 7810H | Nut Lock Center 3/8-24un |
| 41 | 100711L | Adaptor Wheel Strg |
| 42 | 145054X428 | Boot Dash Mtl Steering Blk |
| 43 | 121749X | Washer 25/32 X 1 1/4 X 16 Ga |
| 44 | 180640 | Extension Steering |
| 46 | 121232X | Cap Spindle Fr Top Blk |
| 47 | 6855M | Fitting Grease |
| 51 | 73540400 | Nut Crownlock 1/4-28 |
| 54 | 71130420 | Bolt Hex 1/4-28unf x 1-1/4 Gr.8 |
| 65 | 160367 | Spacer Brace Axle |
| 67 | 72140618 | Bolt Fin Hex 5/8-11 unc x 2-3/4 |
| 68 | 169827 | Brace Axle |
| 71 | 175146 | Steering Asm. |
| 82 | 169835 | Bracket Susp Chassis Front |
| 85 | 133835 | Fastener Christmas Tree |
| 88 | 175118 | Bolt Shoulder 7/16-20 |
| 91 | 175553 | Clip Steering |

NOTE: All component dimensions given in U.S. inches
1 inch = 25.4 mm.

REPAIR PARTS

TRACTOR - - MODEL NUMBER WE12538L, PRODUCT NO. 954 56 29-06
ENGINE



REPAIR PARTS

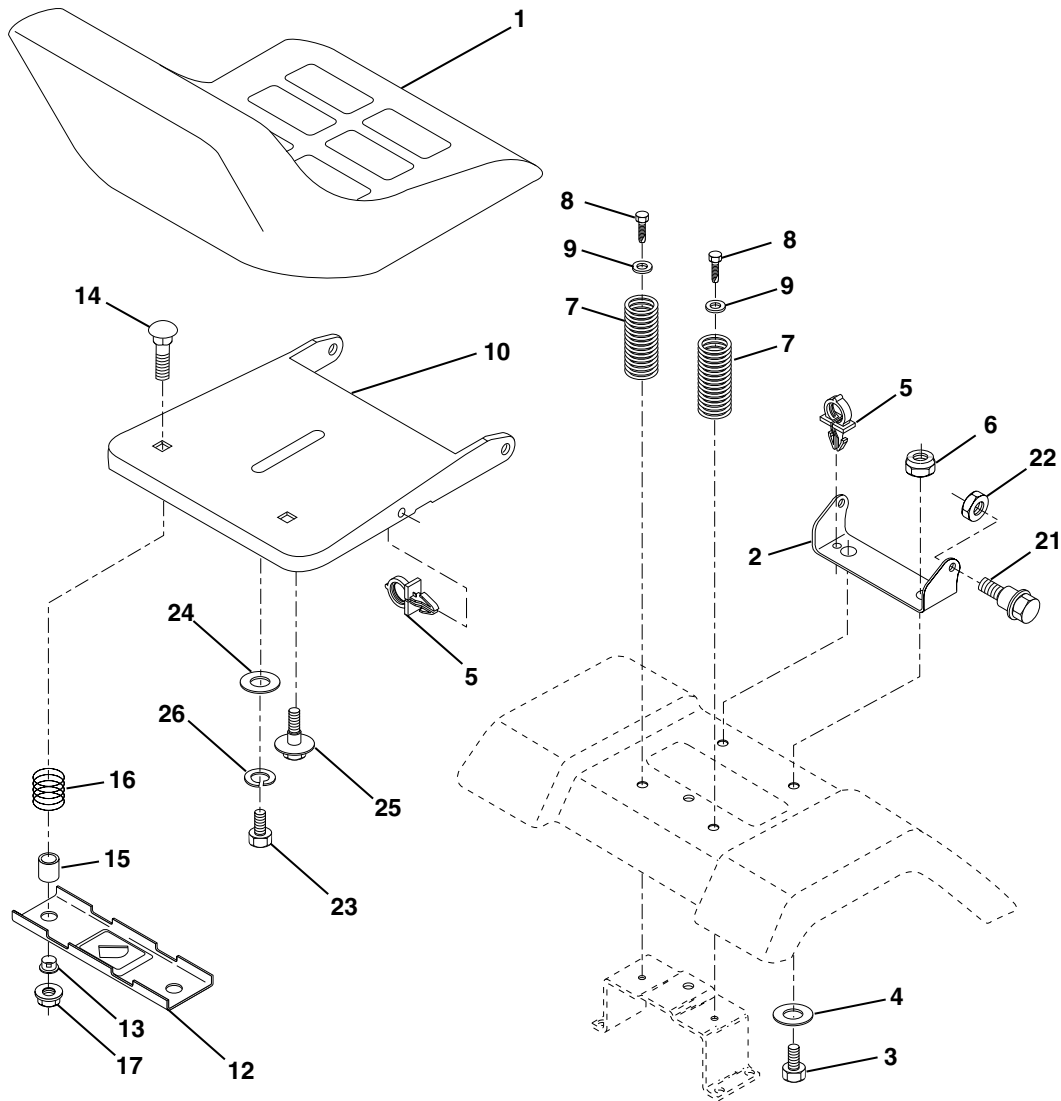
TRACTOR - - MODEL NUMBER WE12538L, PRODUCT NO. 954 56 29-06
ENGINE

| KEY NO. | PART NO. | DESCRIPTION |
|---------|----------|--|
| 1 | 170551 | Control Th/ch Flag |
| 2 | 17720408 | Screw Hex Thd Cut 1/4-20 x 1/2 |
| 3 | ----- | Engine, B&S 289707 (Order parts from engine manufacturer) |
| 4 | 137348 | Muffler Exhaust B&S Lc |
| 13 | 165291 | Gasket Eng 1 313 Id Tin Plated |
| 14 | 148456 | Tube Drain Oil Easy |
| 16 | 11050600 | Washer Lock Ext Tooth 3/8 |
| 23 | 169837 | Shield BRN/DBR Guard |
| 29 | 137180 | Kit Spark Arrestor (Flat Scrn) |
| 31 | 109202X | Tank Fuel Front |
| 32 | 140527 | Cap Asm Fuel |
| 33 | 123487X | Clamp Hose |
| 37 | 137040 | Line Fuel 20" |
| 38 | 148315 | Plug Drain Oil Easy |
| 40 | 124028X | Bushing Snap Nyl Blk Fuel Line |
| 44 | 17670412 | Screw Thdrol 1/4-20 x 3/4 |
| 45 | 17000612 | Screw Hex Wsh Thdrol 3/8-16 |
| 46 | 19091416 | Washer 9/32 X 7/8 X 16 Ga |
| 62 | 10040500 | Washer Lock Hvy Hlcl Spr |
| 72 | 71070512 | Screw Hexcap 5/16-18 x 3/4 |
| 78 | 17060620 | Screw 3/8-16 x 1-1/4 |
| 81 | 73510400 | Nut Keps Hex 1/4-20 Unc |

NOTE: All component dimensions given in U.S. inches
1 inch = 25.4 mm

REPAIR PARTS

TRACTOR - - MODEL NUMBER WE12538L, PRODUCT NO. 954 56 29-06
SEAT



| KEY NO. | PART NO. | DESCRIPTION |
|---------|---------------|--------------------------------|
| 1 | 127426X | Seat |
| 2 | 140551 | Bracket Seat Pivot |
| 3 | 71110616 | Bolt Hex 3/8 - 16 X 1 |
| 4 | 19131610 | Washer 13/32 X 1 X10Ga. |
| 5 | 145006 | Clip Push-In Hinged |
| 6 | 73800600 | Nut Lock Hex w/Ins 3/8 - 16 |
| 7 | 124181X | Spring Seat Cprsn 2 250 Blk Zi |
| 8 | 17000616 | Screw 3/8-16 x 1.5 |
| 9 | 19131614 | Washer 13/32 X 1 X 14 Ga |
| 10 | 182493 | Pan Pnt Seat (Blk) |
| 12 | 121246X | Bracket Pnt Mounting Switch |
| 13 | 121248X | Bushing Snap Blk Nyl |

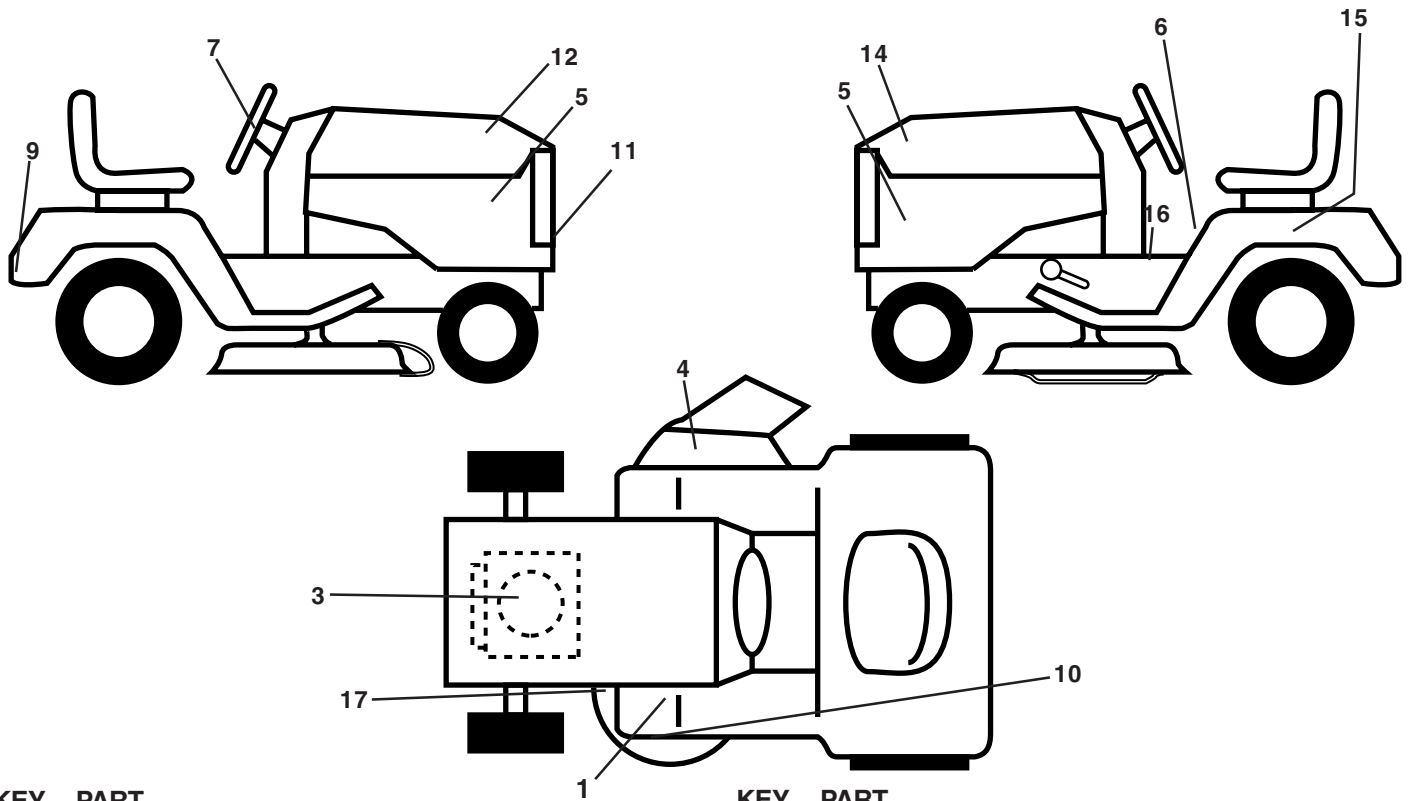
| KEY NO. | PART NO. | DESCRIPTION |
|---------|----------|------------------------------------|
| 14 | 72050412 | Bolt Rdhd Sht Nk 1/4 - 20 X 1 -1/2 |
| 15 | 134300 | Spacer Split .28 X .96 |
| 16 | 121250X | Spring Cprsn |
| 17 | 123976X | Nut Lock 1/4 Lge Flg |
| 21 | 171852 | Bolt Shoulder 5/16-18 Unc-2A |
| 22 | 73800500 | Nut Lock Hex w/Ins 5/16 - 18 |
| 23 | 71110814 | Bolt Hex |
| 24 | 19171912 | Washer 17/32 X 1-3/16 X 12 Ga |
| 25 | 127018X | Bolt Shoulder 5/16-18 X .62 |
| 26 | 10040800 | Washer Lock Hvy Hlcl Spr 1/2 |

NOTE: All component dimensions given in U.S. inches
1 inch = 25.4 mm.

REPAIR PARTS

TRACTOR - - MODEL NUMBER WE12538L, PRODUCT NO. 954 56 29-06

DECALS



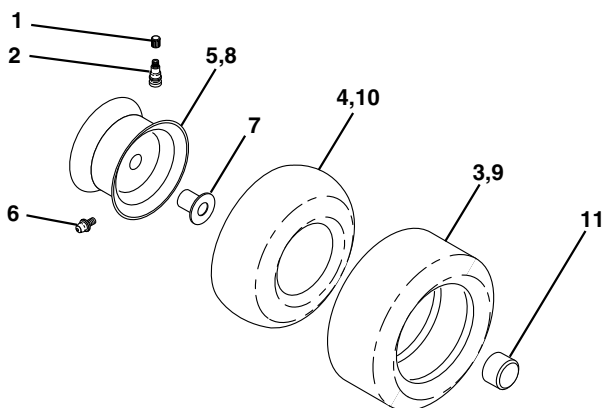
| KEY NO. | PART NO. | DESCRIPTION |
|---------|----------|------------------------------|
| 1 | 181251 | Decal, Clutch/Brake Eng/Fr |
| 3 | 170839 | Decal, Engine HP |
| 4 | 170563 | Decal Warning |
| 5 | 168421 | Decal, Pnl Sd |
| 6 | 157140 | Decal, Fender Danger English |
| 7 | 162398 | Decal Ins Str Wh |
| 9 | 171448 | Decal Fender |
| 10 | 162391 | Decal, Deck Grasseater |
| 11 | 162392 | Decal, Grille Weedeater |
| 12 | 162389 | Decal, Hood RH |
| 14 | 162390 | Decal, Hood LH |
| 15 | 145005 | Decal, Caution, Battery |

| KEY NO. | PART NO. | DESCRIPTION |
|---------|---------------|---------------------------------|
| 16 | 157163 | Decal, Oper Sdl P/L Gear Dr Eng |
| 17 | 136832 | Decal, V-Belt Sch. |
| -- | 138311 | Decal, Handle Lft Height Adj. |
| -- | 183670 | Manual, Owner's English |
| -- | 183671 | Manual, Owner's French |

Available accessories not included with mower:

| | | |
|----|-------|--------------------|
| -- | C38 | Grass Catcher |
| -- | MK38 | Mulch Kit w/Blades |
| -- | LSB42 | 42" Snow Blower |
| -- | LC05 | Wheel Weights |
| -- | LBD48 | 48" Snow Blade |
| -- | CH11 | Tire Chains |

WHEELS & TIRES

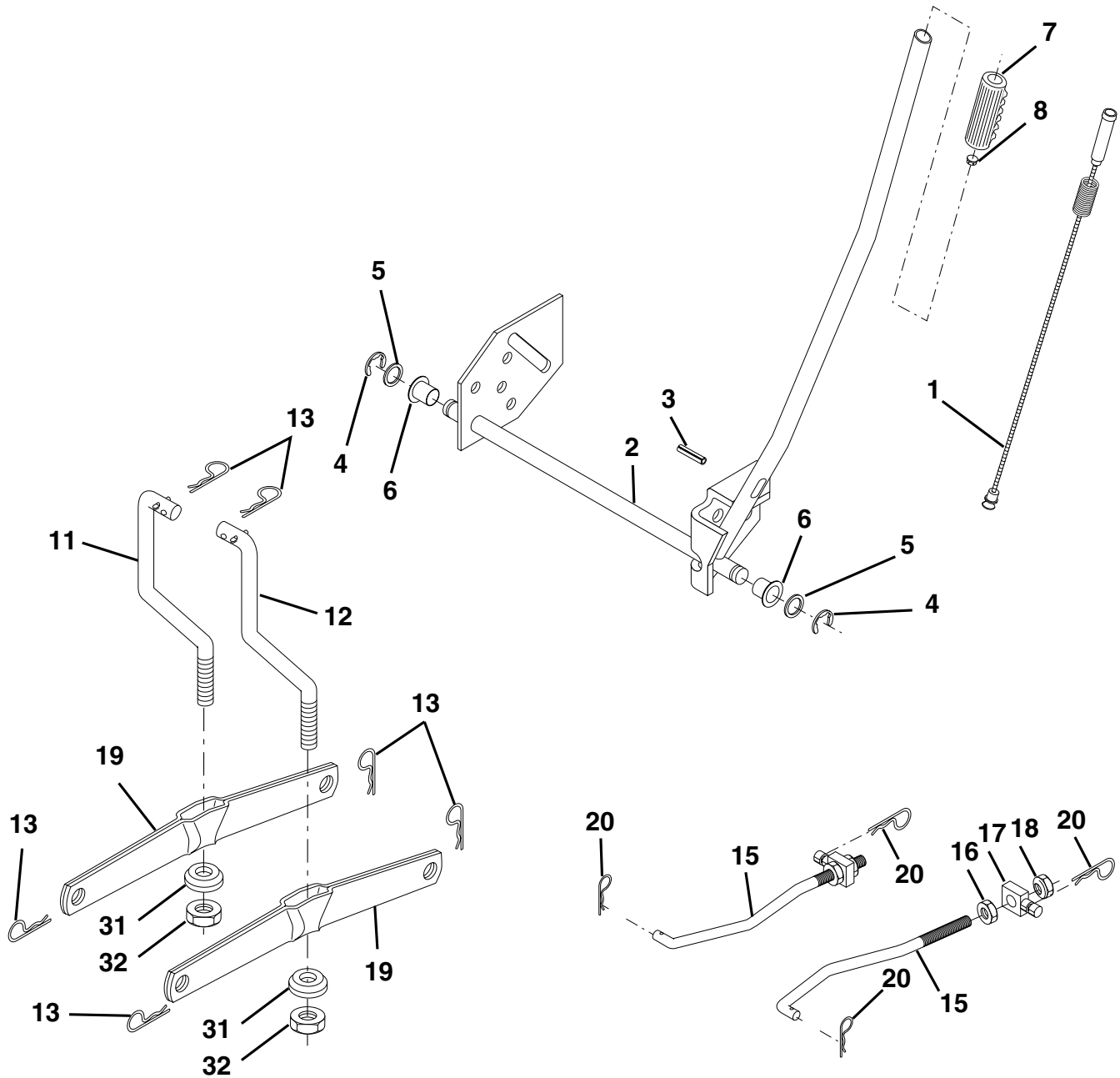


| KEY NO. | PART NO. | DESCRIPTION |
|---------|-------------------|------------------------------------|
| 1 | 59192 | Cap, Tire valve |
| 2 | 65139 | Stem, Valve |
| 3 | 106222X | Tire, Front |
| 4 | 59904 | Tube, Front (Service item only) |
| 5 | 106732X624 | Rim assembly, 6" front |
| 6 | 278H | Fitting, Grease (Front wheel only) |
| 7 | 9040H | Bearing, Flange (Front wheel only) |
| 8 | 106108X624 | Rim assembly, 8" rear |
| 9 | 124635X | Tire, Rear |
| 10 | 7152J | Tube, Rear (Service item only) |
| 11 | 104757X428 | Cap, Hub Axle |
| -- | 144334 | Sealant, Tire (10 oz. Tube) |

NOTE: All component dimensions given in U.S. inches
1 inch = 25.4 mm

REPAIR PARTS

TRACTOR - - MODEL NUMBER WE12538L, PRODUCT NO. 954 56 29-06
MOWER LIFT



REPAIR PARTS

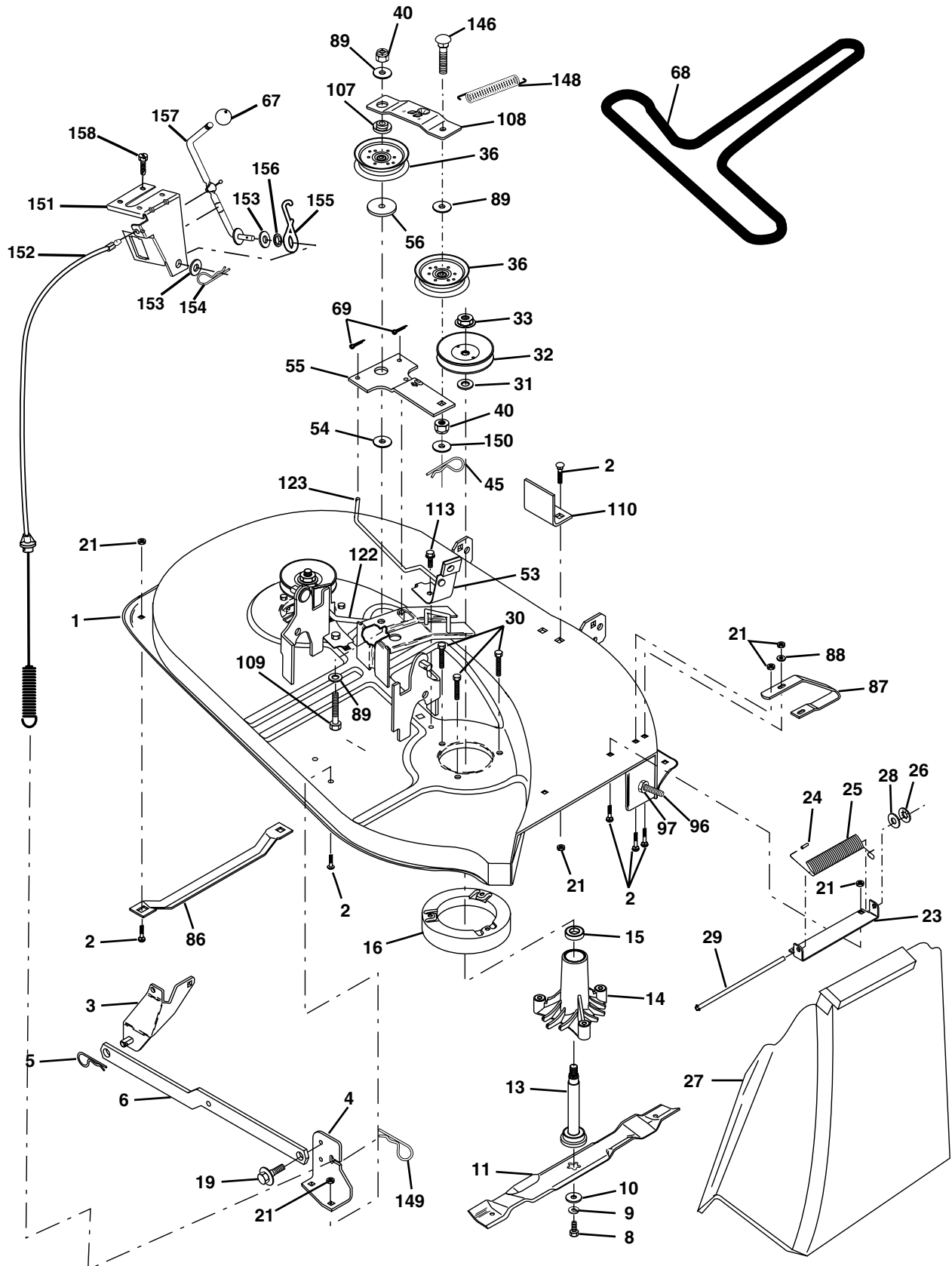
TRACTOR - - MODEL NUMBER WE12538L, PRODUCT NO. 954 56 29-06
MOWER LIFT

| KEY NO. | PART NO. | DESCRIPTION |
|---------|----------|-------------------------------|
| 1 | 159460 | Wire Asm Inner/Sprg w/plunger |
| 2 | 159471 | Shaft Asm Lift RH |
| 3 | 105767X | Pin Groove 1 500 Zinc |
| 4 | 12000002 | E Ring #5133-62 |
| 5 | 19211621 | Washer 21/32 X 1 X 21 Ga |
| 6 | 120183X | Bearing Nylon Blk 629 Id |
| 7 | 109413X | Grip Handle Bicycle Matte Blk |
| 8 | 124526X | Button Plunger Black |
| 11 | 139865 | Link Lift LH Fixed Length |
| 12 | 139866 | Link Lift RH Fixed Length |
| 13 | 4939M | Retainer Spring |
| 15 | 173288 | Link Front |
| 16 | 73350800 | Nut Jam Hex 1/2-13 Unc |
| 17 | 175689 | Trunnion |
| 18 | 73800800 | Nut Lockw/Wsh 1/2-13 Unc |
| 19 | 139868 | Arm Suspension Rear |
| 20 | 163552 | Retainer, Spring |
| 31 | 169865 | Bearing Pvt Lift |
| 32 | 73540600 | Nut Crownlock 3/8-24 |

NOTE: All component dimensions given in U.S. inches
1 inch = 25.4 mm.

REPAIR PARTS

TRACTOR - - MODEL NUMBER WE12538L, PRODUCT NO. 954 56 29-06
MOWER DECK



REPAIR PARTS

TRACTOR - - MODEL NUMBER WE12538L, PRODUCT NO. 954 56 29-06 MOWER DECK

| KEY NO. | PART NO. | DESCRIPTION | KEY NO. | PART NO. | DESCRIPTION |
|---------|------------|--|---------|-----------------|--|
| 1 | 170280 | Mower Housing Assembly | 67 | 106932X | Knob |
| 2 | 72140506 | Bolt Carriage 5/16-18 x 3/4 | 68 | 144200 | V-Belt, 42" Mower |
| 3 | 138017 | Bracket Asm Fr. Sway Bar | 69 | 76020312 | Pin, Cotter 3/32 x 3/4 |
| 4 | 169970 | Bracket Deck Sway Bar 38"/42" | 86 | 7631J | Runner, LH |
| 5 | 4939M | Retainer Spring | 87 | 128772 | Runner, RH |
| 6 | 178024 | Bar Sway Deck | 88 | 19111216 | Washer 11/32 x 3/4 x 16 Ga |
| 8 | 850857 | Bolt 3/8-24 x 1.25 Grade 8 | 89 | 19131612 | Washer 13/32 x 1 x 12 Ga. |
| 9 | 10030600 | Washer, Lock 3/8 | 96 | 74930620 | Bolt 3/8-16 x 1-1/4 Mulcher |
| 10 | 140296 | Washer, Hardened | 97 | 73930600 | Nut Centerlock 3/8-16 Unc |
| 11 | 138497 | Blade Mower | 107 | 133502 | Spacer Retainer |
| 13 | 137645 | Shaft Assembly, Mandrel, Vented (Includes Key Number 6) | 108 | 133503 | Stiffener, Idler Arm |
| 14 | 128774 | Housing, Mandrel, Vented | 109 | 74760640 | Bolt, Hex Hd 3/8-16 x 2-1/2 |
| 15 | 110485X | Bearing, Ball, Mandrel | 110 | 142587 | Upstop Deck Front 38" |
| 16 | 174493 | Stripper, Vented Mower Deck | 113 | 17060512 | Screw 5/16-1/ x 3/4 |
| 19 | 132827 | Bolt, Shoulder | 122 | 131289 | Rod, Brake LH |
| 21 | 73680500 | Nut | 123 | 169971 | Rod, Brake RH |
| 23 | 137607 | Bracket, Mower Deflector | 146 | 165891 | Bolt Carriage Idler |
| 24 | 105304X | Cap, Sleeve | 148 | 169022 | Spring Return Idler |
| 25 | 123713X | Spring, Torsion, Deflector | 149 | 165898 | Retainer Spring Yellow |
| 26 | 110452X | Nut, Push | 150 | 19091216 | Washer 9/32 x 3/4 x 16 Ga. |
| 27 | 106736X428 | Shield, Deflector | 151 | 169670 | Bracket Clutch Cable |
| 28 | 19111016 | Washer 11/32 x 5/8 x 16 Gauge | 152 | 172758 | Clutch Cable 38"/46" |
| 29 | 106735X | Rod, Hinge | 153 | 169674 | Washer Flat 3/8" Type B |
| 30 | 173984 | Screw Thdrol. Washer Head | 154 | 169675 | Spring Retainer |
| 31 | 129963 | Washer, Spacer | 155 | 169671 | Spring Retention LVR CLTCH CAB |
| 32 | 153532 | Pulley, Mandrel | 156 | 169672 | Spacer Clutch Cable |
| 33 | 178342 | Nut, Toplock | 157 | 169669 | Rod Clutch Cable 3/8" |
| 36 | 131494 | Pulley, Idler, Flat | 158 | 17720408 | Screw Hex Thd Cut 1/4-20 x 1/2 |
| 40 | 73680600 | Nut, Crownlock 3/8-16 Unc | -- | 130794 | Mandrel Assembly (Includes Housing, Shaft and Shaft Hardware Only-Pulley not Included) |
| 45 | 4497H | Retainer | -- | 170317 | Replacement Mower, Complete |
| 53 | 130840 | Brake Assembly | | | |
| 54 | 133943 | Washer, Hardened | | | |
| 55 | 133840 | Idler Arm Assembly | | | |
| 56 | 165723 | Spacer, Retainer | | | |

NOTE: All component dimensions given in U.S. inches
1 inch = 25.4 mm