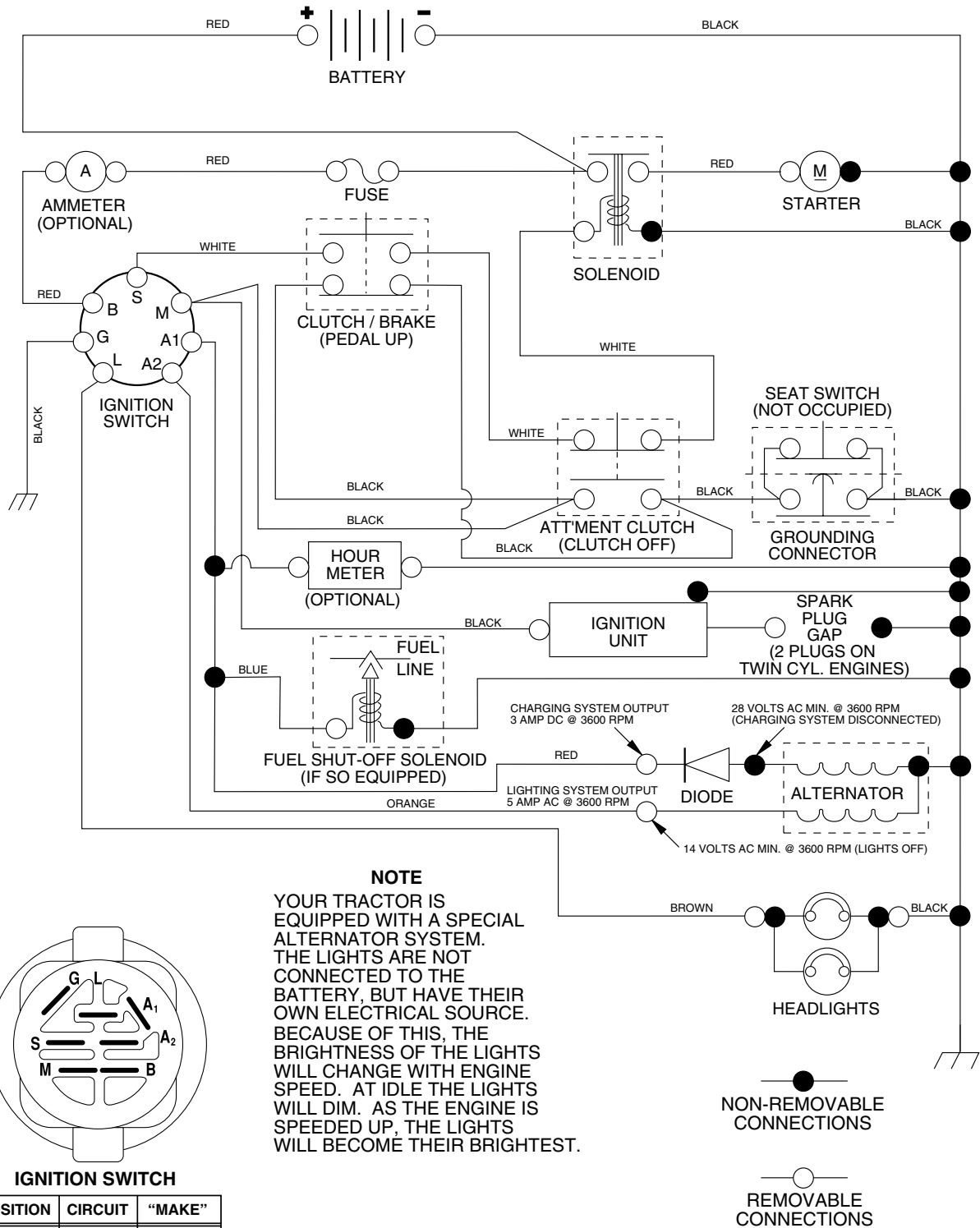


# REPAIR PARTS

## TRACTOR - - MODEL NUMBER WE16542E

### SCHEMATIC





# REPAIR PARTS

## TRACTOR - - MODEL NUMBER WE16542E

### ELECTRICAL

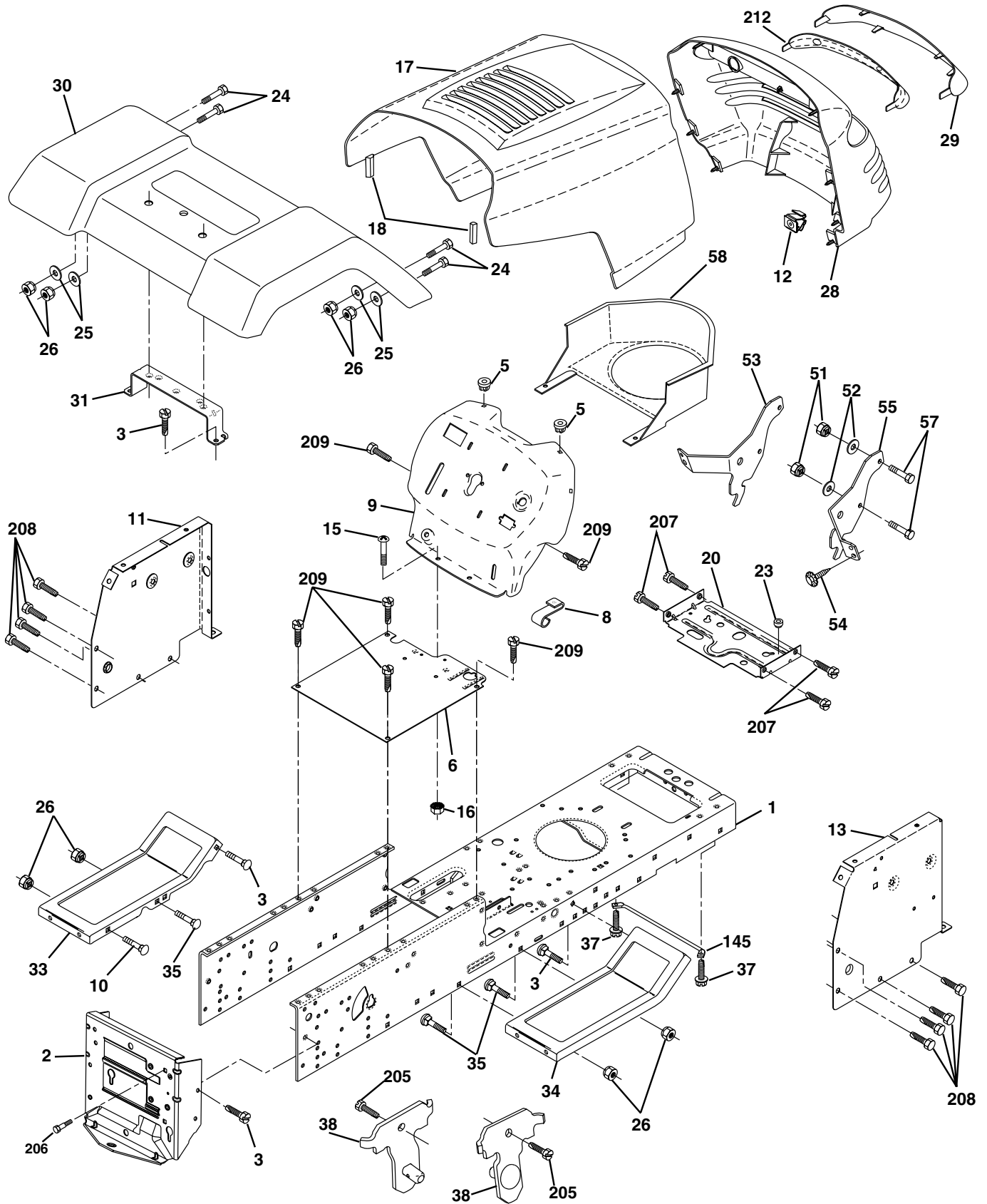
| KEY NO. | PART NO.      | DESCRIPTION                      |
|---------|---------------|----------------------------------|
| 1       | 144925        | Battery 12 Volt 25 Amp           |
| 2       | 74760412      | Bolt Hex Hd 1/4-20unc X 3/4      |
| 8       | 156417        | Case Battery                     |
| 16      | 153664        | Switch Interlock Push -In        |
| 21      | 166181        | Harness Asm Light W/4152J        |
| 22      | 4152J         | Bulb Light #1156                 |
| 24      | 4799J         | Cable Battery 6 Ga 11"red        |
| 25      | 146147        | Cable Battery 6 Ga w/16 wire,red |
| 26      | 175158        | Fuse 20 AMP                      |
| 27      | 73510400      | Nut Keps Hex 1/4-20 unc          |
| 28      | 4207J         | Cable Ground 6 Ga 12" black      |
| 29      | 121305X       | Switch Plunger Nc Gray           |
| 30      | 175566        | Switch Ign                       |
| 33      | 140401        | Key Ign                          |
| 40      | <b>178437</b> | Harness Ign                      |
| 41      | 71110408      | Bolt Blk Fin Hex 1/4-20 X 1/2    |
| 42      | 131563        | Cover Terminal Red               |
| 43      | <b>178861</b> | Solenoid                         |
| 48      | 140844        | Adaptor Ammeter Rectangular      |
| 52      | 141940        | Protection Wire Loop             |

**NOTE:** All component dimensions give in U.S. inches  
1 inch = 25.4 mm.

# REPAIR PARTS

## TRACTOR - - MODEL NUMBER WE16542E

### CHASSIS AND ENCLOSURES



# REPAIR PARTS

## TRACTOR - - MODEL NUMBER WE16542E

### CHASSIS AND ENCLOSURES

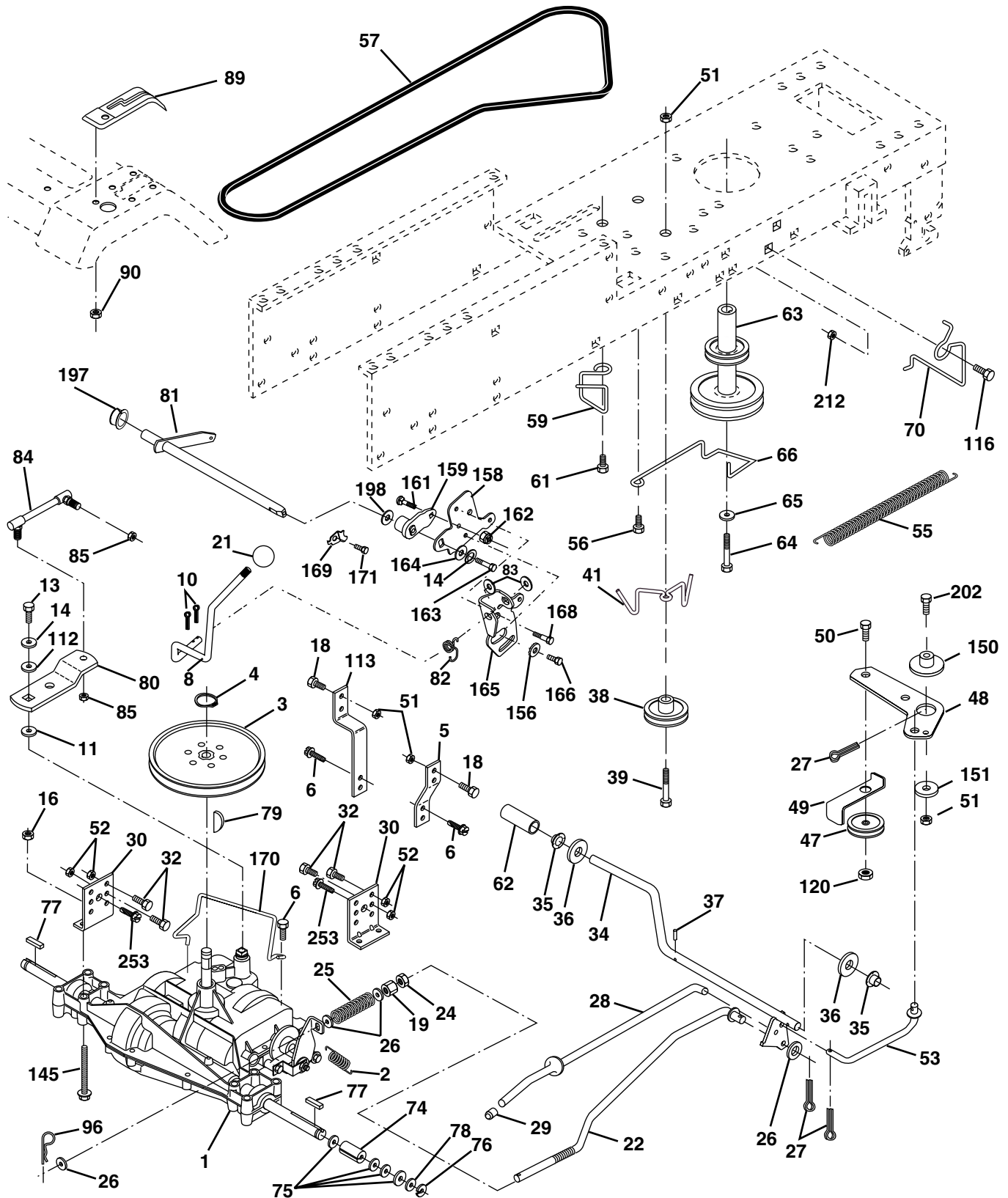
| KEY NO. | PART NO.        | DESCRIPTION                        |
|---------|-----------------|------------------------------------|
| 1       | <b>174620</b>   | Chassis                            |
| 2       | 176554          | Drawbar                            |
| 3       | 17060612        | Screw 3/8-16 x 3/4                 |
| 5       | 155272          | BumperHood/Dash                    |
| 6       | 155923          | Saddle Flat Lt Fender Shift        |
| 8       | 155138          | Clip Retainer Slide-On             |
| 9       | 168347X011      | Dash                               |
| 10      | 72140608        | Bolt RdHd Sqnk. 3/8-16 Unc x 1     |
| 11      | 155927          | Panel Asm. Dash Lh                 |
| 12      | 145660          | Clip Tinnerman Grile P/L           |
| 13      | 172107X010      | Panel Dash Rh                      |
| 15      | 74180512        | Screw Mach Trhd 5/16-18 Unc x 3/4  |
| 16      | 73510500        | Nut Keps 5/16-18 Unc               |
| 17      | 159639X550      | Hood                               |
| 18      | 126938X         | BumperHood                         |
| 20      | 156437          | Plate Mtg Battery/Fuel Tank Fr     |
| 23      | 124028X         | Bushing Snap Nyl Blk Fuel Line     |
| 24      | 74780616        | Bolt Fin Hex 3/8-16 Unc x 1 Gr. 5  |
| 25      | 19131312        | Washer 13/32 x 13/16 x 12 Ga.      |
| 26      | 73800600        | Nut Lock Hex w/Insert 3/8-16 UNC   |
| 28      | 140434          | Grill/Lens Asm                     |
| 29      | 140273X599      | Lens Grille Private label          |
| 30      | 169467X550      | Fender Asm                         |
| 31      | 136619          | Bracket Fender                     |
| 33      | 145244X550      | Footrest Lh                        |
| 34      | 145243X550      | Footrest Rh                        |
| 35      | 72110606        | Bolt RdHd Sht. Sqnk. 3/8-16 x 3/4  |
| 37      | 17490508        | Screw Thdrol 5/16-18 x 1/2 Tyt     |
| 38      | <b>175710</b>   | Bracket Asm. Pivot Mower Rear      |
| 51      | 73800400        | Nut Lock Hex W/Ins. 1/4-20         |
| 52      | 19091416        | Washer 9/32 x 7/8 x 16 Ga.         |
| 53      | 144697          | Bracket Grille LH                  |
| 54      | 161464          | Screw Hex Wshd 8-18 x 7/8          |
| 55      | 144696          | Bracket, Grille RH                 |
| 57      | 74780412        | Bolt Fin Hex 1/4-20 x .75          |
| 58      | 150127          | Air Duct Private Label tractor - - |
| 145     | 156524          | Rod Pivot Chassis/Hood             |
| 205     | <b>17490608</b> | Screw 3/8-16 x 1/2                 |
| 206     | 170165          | Bolt shoulder 5/16-18              |
| 207     | 17670508        | Screw Thdrol 5/16-18 x 1/2         |
| 208     | 17670608        | Screw Thdrol 3/8-16 x 1/2          |
| 209     | 17000612        | Screw Hex Wsh Thdrol 3/8-16        |
| 212     | 156229          | Insert Lens Reflector              |
| - -     | 5479J           | Plug Btn Blk                       |

**NOTE:** All component dimensions given in U.S. inches  
1 inch = 25.4 mm

# REPAIR PARTS

## TRACTOR - - MODEL NUMBER WE16542E

### DRIVE



# REPAIR PARTS

## TRACTOR - - MODEL NUMBER WE16542E

### DRIVE

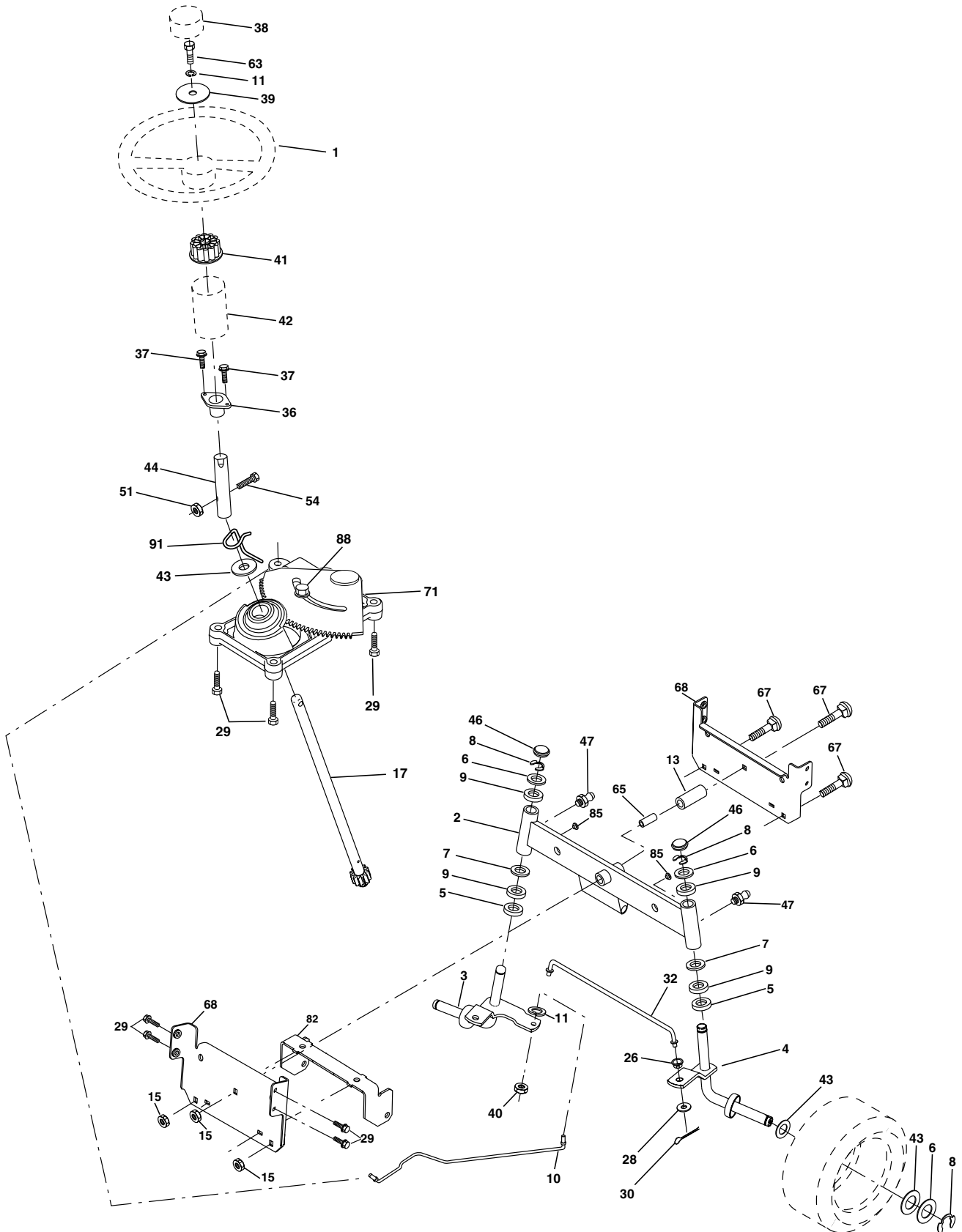
| KEY NO. | PART NO.        | DESCRIPTION  | KEY NO. | PART NO.      | DESCRIPTION                        |
|---------|-----------------|--|---------|---------------|------------------------------------|
| 1       | -----           | Transaxle (Order parts from transaxle manufacturer)<br>Peerless 206-545C | 64      | 71170764      | Bolt Hex                           |
| 2       | 146682          | Spring Return Brake T/a Zinc   | 65      | 10040700      | Washer Lock Hvy Hlcl Spr 7/16      |
| 3       | 123666X         | Pulley Transaxle 18" tires   | 66      | 154778        | Keeper Belt Engine Foolproof       |
| 4       | 12000028        | Ring Retainer # 5100-62  | 70      | 134683        | Guide Belt Mower Drive RH          |
| 5       | 121520X         | Strap Torque 30 Degrees  | 74      | 137057        | Spacer Axle                        |
| 6       | 17060512        | Screw 5/16-18 X 3/4  | 75      | 121749X       | Washer 25/32 X 1 1/4 X 16 Ga       |
| 8       | 165619          | Rod Shifter Fender Adj Lt  | 76      | 12000001      | E-ring #5133-75                    |
| 10      | 76020416        | Pin Cotter 1/8 X 1 Cad   | 77      | 123583X       | Key Square 2 0 X 1845/ 1865        |
| 11      | 105701X         | Washer Plate Shf 388 Sq Hole   | 78      | 121748X       | Washer 25/32 X 1-5/8 X 16 Ga       |
| 13      | 74550412        | Bolt 1/4-28 Unf Gr 8 W/Patch   | 79      | 2228M         | Key Woodruff                       |
| 14      | 10040400        | Washer Lock Hvy Helical 1/4  | 80      | 145090        | Arm Shift                          |
| 16      | 73800500        | Nut Lock Hx W/Ins 5/16-18unc   | 81      | 165592        | Shaft Asm Cross Tapered 20"t       |
| 18      | 74780616        | Bolt, Fin Hex 3/8-16 UNC x 1 Gr. 5                                       | 82      | 123782X       | Spring Torsion T/a                 |
| 19      | 73800600        | Nut Lock 3/8-16 Unc  | 83      | 19171216      | Washer 17/32 X 3/4 X 16 Ga         |
| 21      | 106933X         | Knob   | 84      | 166231        | Link Transaxle                     |
| 22      | 130804          | Rod Brake Blk Zinc 26 840  | 85      | 150360        | Nut Lock Center 1/4 - 28 FNTHD     |
| 24      | 73350600        | Nut Hex Jam 3/8-16 Unc   | 89      | 169372X428    | Console Shift                      |
| 25      | 106888X         | Spring Rod Brake 2 00 Zinc   | 90      | 124346X       | Nut Self-thd Wsh-hd 1/4 Zinc       |
| 26      | 19131316        | Washer 13/32 X 13/16 X 16 Ga   | 96      | 4497H         | Retainer Spring                    |
| 27      | 76020412        | Pin Cotter 1/8 X 3/4 Cad   | 112     | 19091210      | Washer 9/32 x 3/4 x 10 Ga.         |
| 28      | <b>175765</b>   | Rod Brake Parking LT/YT  | 113     | 127285X       | Strap Torque Lh                    |
| 29      | 71673           | Cap Brake Parking  | 116     | 72140608      | Bolt Rdhd Sq Neck 3/8-16 x 1       |
| 30      | 169592          | Bracket Mtg Transaxle  | 120     | 73900600      | Nut Lock Flg. 3/8-16 Unc.          |
| 32      | 74760512        | Bolt Hex Hd 5/16-18unc X 3/4   | 145     | 74490540      | Bolt Hex 5/16-18 Gr. 5             |
| 34      | <b>175578</b>   | Shaft Asm Pedal Foot   | 150     | <b>175456</b> | Spacer Retainer                    |
| 35      | 120183X         | Bearing Nylon Blk 629 Id   | 151     | 19133210      | Washer 13/32 x 2 x 10              |
| 36      | 19211616        | Washer 21/32 X 1 X 16 Ga   | 156     | 166002        | Washer Srrted 5/16 ID x 1.125      |
| 37      | 1572H           | Pin Roll 3/16 X 1"   | 158     | 165589        | Bracket Shift Mount                |
| 38      | <b>179114</b>   | Pulley Idler Composite   | 159     | 165494        | Hub Tapered Flange Shift It        |
| 39      | <b>74760648</b> | Bolt Fin Hex 3/8-16unc X 2-3/4   | 161     | 72140406      | Bolt Rdhd Sqnk 1/4-20 x 3/4 Gr 5   |
| 41      | <b>175556</b>   | Keeper Belt Retainer Idler   | 162     | 73680400      | Nut Crownlock 1/4-20 Unc           |
| 47      | 127783          | Pulley Idler V Groove Plastic  | 163     | 74780416      | Bolt Hex Fin 1/4-20 Unc x 1 Gr 5   |
| 48      | 154407          | Bellcrank Asm  | 164     | 19091010      | Washer 5/8 x .281 x 10 Ga          |
| 49      | 123205X         | Retainer Belt Style Spring   | 165     | 165623        | Bracket Pivot Lever                |
| 50      | 74760624        | Bolt Hex Hd 3/8-16unc X 1-1/2  | 166     | 166880        | Screw 5/16-18 x 5/8                |
| 51      | 73680600        | Nut Crownlock 3/8-16 Unc   | 168     | 165492        | Bolt Shoulder 5/16-18 x .561       |
| 52      | 73680500        | Nut Crownlock 5/16-18 Unc  | 169     | 165581        | Plate Fastening Lt                 |
| 53      | 105710X         | Link Clutch  | 170     | <b>178394</b> | Keeper Belt Transaxle Pmst/Dana    |
| 55      | 105709X         | Spring Return Clutch 6 75  | 171     | 17490608      | Screw Thdrol 3/8-16 x 1/2 TY-TT    |
| 56      | <b>17060620</b> | Screw 3/8-16 X 1-1/4   | 197     | 169613        | Nyliner Snap-In                    |
| 57      | 130801          | V-Belt Ground Drive  | 198     | 169593        | Washer Nyliner                     |
| 59      | 169691          | Keeper Belt Span Ctr   | 202     | 72110612      | Bolt Carr. Sh 3/8-16 x 1-1/2 Gr. 5 |
| 61      | <b>17060614</b> | Screw 3/8-16 X .875  | 212     | 145212        | Nut Hexflange Lock                 |
| 62      | 8883R           | Cover Pedal Blk Round  | 253     | 17060612      | Screw 3/8-16x3/4                   |
| 63      | <b>175410</b>   | Engine Pulley LT/YT  |         |               |                                    |

**NOTE:** All component dimensions given in U.S. inches  
1 inch = 25.4 mm

# REPAIR PARTS

## TRACTOR - - MODEL NUMBER WE16542E

### STEERING ASSEMBLY





# REPAIR PARTS

## TRACTOR - - MODEL NUMBER WE16542E

### STEERING ASSEMBLY

| KEY NO. | PART NO.      | DESCRIPTION                      |
|---------|---------------|----------------------------------|
| 1       | 140044X428    | Wheel Steering Auto Black        |
| 2       | <b>175131</b> | Axle Asm Front                   |
| 3       | 169840        | Spindle Asm Lh                   |
| 4       | 169839        | Spindle Asm Rh                   |
| 5       | 6266H         | Bearing Race Thrust Harden       |
| 6       | 121748X       | Washer 25/32 X 1 5/8 X 16ga      |
| 7       | 19272016      | Washer 27/32 X 1 1/4 X 16 Ga     |
| 8       | 12000029      | Ring Klip #t5304-75              |
| 9       | 3366R         | Bearing Col Strg Blk             |
| 10      | <b>175121</b> | Link Drag Extended               |
| 11      | 10040600      | Lockwasher                       |
| 13      | 136518        | Spacer Bearing Axle Front        |
| 15      | 145212        | Hex Flange Lock                  |
| 17      | <b>177876</b> | Shaft Asm Strg 5/8 X 15 19 Lt    |
| 26      | 126847X       | Bushing Rod Tie Blk Lt           |
| 28      | 19131416      | Washer 13/32 X 7/8 X 16ga        |
| 29      | 17060612      | Screw 3/8-16x3/4                 |
| 30      | 76020412      | Pin                              |
| 32      | 130465        | Rod Tie Wire Form 19 75 Mech     |
| 36      | 155099        | Bushing Strg 5/8 Id Dash         |
| 37      | 152927        | Screw TT #10-32 x 5 x 3/8 Flange |
| 38      | 140045X428    | Insert Cap Strg                  |
| 39      | 19133812      | Washer 13/32 x 2-3/8 x 12Ga      |
| 40      | 7810H         | Locknut Center                   |
| 41      | 100711L       | Adaptor Wheel Strg 640/ 635id    |
| 42      | 145054X428    | Boot Dash Steering               |
| 43      | 121749X       | Washer 25/32 X 1 1/4 X 16 Ga     |
| 44      | 153720        | Extension Steering Non-Adjust    |
| 46      | 121232X       | Cap Spindle Fr Top Blk           |
| 47      | 6855M         | Fitting Grease                   |
| 51      | 73800500      | Nut Lock Hex W/Ins.              |
| 54      | 74780520      | Bolt Fin Hex 5/16-18 Unc P       |
| 63      | 74780616      | Bolt Fin Hex 3/8-16unc x Gr. 5   |
| 65      | 160367        | Spacer Brace Axle                |
| 67      | 72140618      | Bolt Rdhd Sq 3/8-16 Unc x 2-3/4  |
| 68      | 169827        | Brace Axle                       |
| 71      | <b>175146</b> | Steering Asm.                    |
| 82      | 169835        | Bracket Susp Chassis Front       |
| 85      | 133835        | Fastener Christmas Tree          |
| 88      | <b>175118</b> | Bolt Shoulder                    |
| 91      | <b>175553</b> | Clip Steering                    |

**NOTE:** All component dimensions given in U.S. inches  
1 inch = 25.4 mm



# REPAIR PARTS

## TRACTOR - - MODEL NUMBER WE16542E

### ENGINE

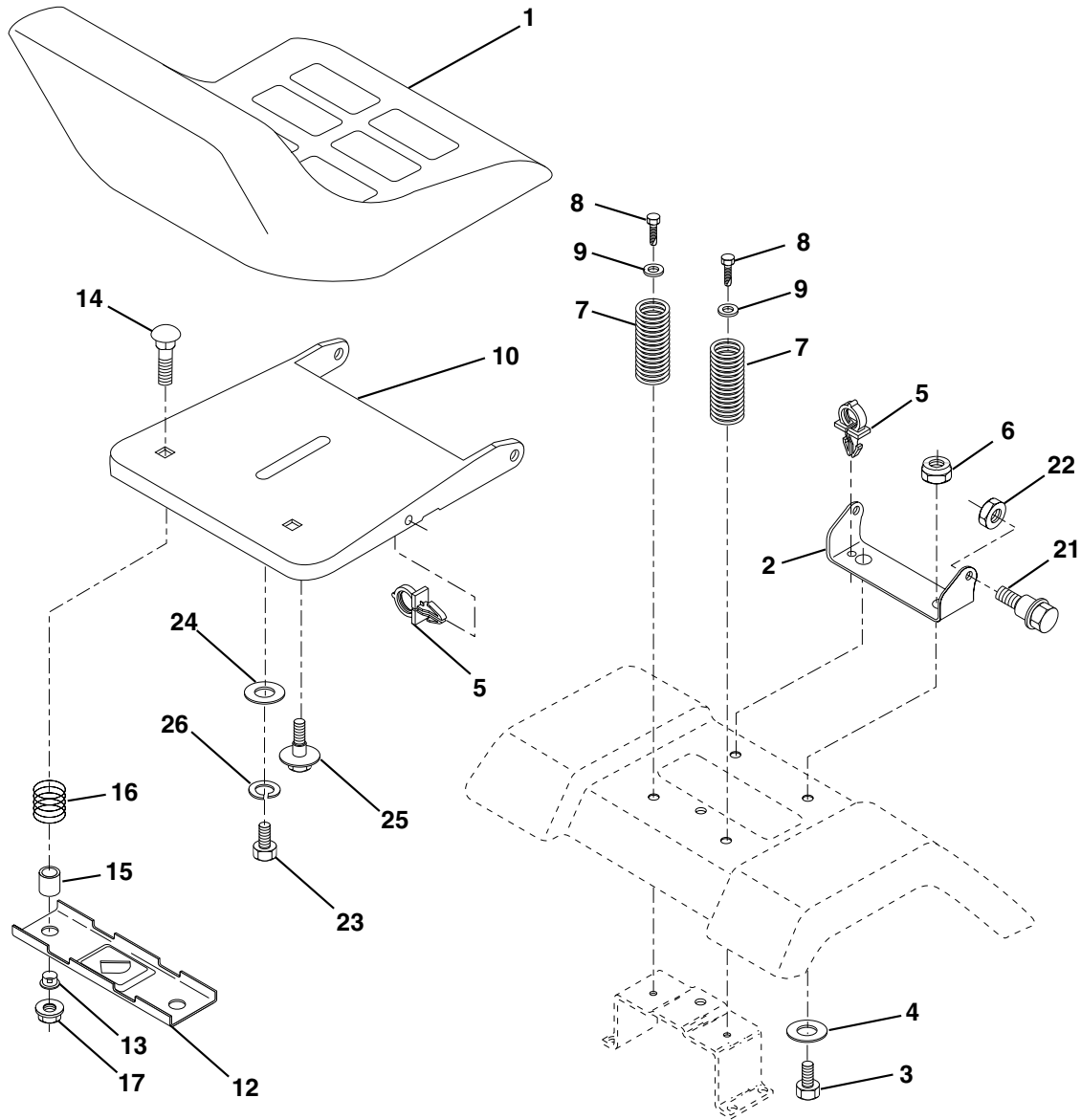
| KEY NO. | PART NO.        | DESCRIPTION  |
|---------|-----------------|--|
| 1       | 170551          | Control Throt/Ch Lh  |
| 2       | <b>17720408</b> | Screw Hex Thd Cut 1/4-20 X 1/2                                     |
| 3       | -----           | Engine B&S, Model 310707<br>(Order parts from engine manufacturer) |
| 4       | 137352          | Muffler Exhaust B&s Lt   |
| 13      | 165291          | Gasket   |
| 14      | 148456          | Tube Drain Oil Easy  |
| 16      | 11050600        | Washer Lock Ext Tooth 3/8  |
| 23      | 169837          | Shield Browning  |
| 29      | 137180          | Arrestor Spark   |
| 31      | 174642          | Tank Fuel 2.00 Fr  |
| 32      | 140527          | Cap Asm Fuel   |
| 33      | 123487X         | Clamp Hose Blk   |
| 37      | 137040          | Line Fuel 20"  |
| 38      | 148315          | Plug Drain Oil Easy  |
| 40      | 124028X         | Bushing Snap Nyl Blk Fuel Line                                     |
| 44      | 17670412        | Screw Hexwsh Thdrol 1/4-20x3/4                                     |
| 45      | 17000612        | Screw 5/16-18 x 3/4  |
| 46      | 19091416        | Washer 9/32 X 7/8 X 16ga   |
| 62      | 10040500        | Washer Lock Hvy Hlcl Spr 5/16                                      |
| 72      | 71070512        | Screw Hexhd Cap 5/16-18x3/4  |
| 78      | 17060620        | Screw 3/8-16x1-1/4   |
| 81      | 73510400        | Nut Flange 1/4-20 Starter Nut                                      |

**NOTE:** All component dimensions given in U.S. inches  
1 inch = 25.4 mm

# REPAIR PARTS

## TRACTOR - - MODEL NUMBER WE16542E

### SEAT ASSEMBLY



| KEY NO. | PART NO. | DESCRIPTION                    |
|---------|----------|--------------------------------|
| 1       | 127427   | Seat                           |
| 2       | 140551   | Bracket Pnt Pivot Seat (blk )  |
| 3       | 71110616 | Bolt                           |
| 4       | 19131610 | Washer 13/32 x 1 x 10 Ga       |
| 5       | 145006   | Clip Push-In Hinged            |
| 6       | 73800600 | Nut                            |
| 7       | 124181X  | Spring Seat Cprsn 2 250 Blk Zi |
| 8       | 17000616 | Screw 3/8-16 x 1.5             |
| 9       | 19131614 | Washer 13/32 x 1 x 14 Ga       |
| 10      | 174894   | Pan Pnt Seat                   |
| 12      | 121246X  | Bracket Pnt Mounting Switch    |
| 13      | 121248X  | Bushing Snap Blk Nyl 50 Id     |

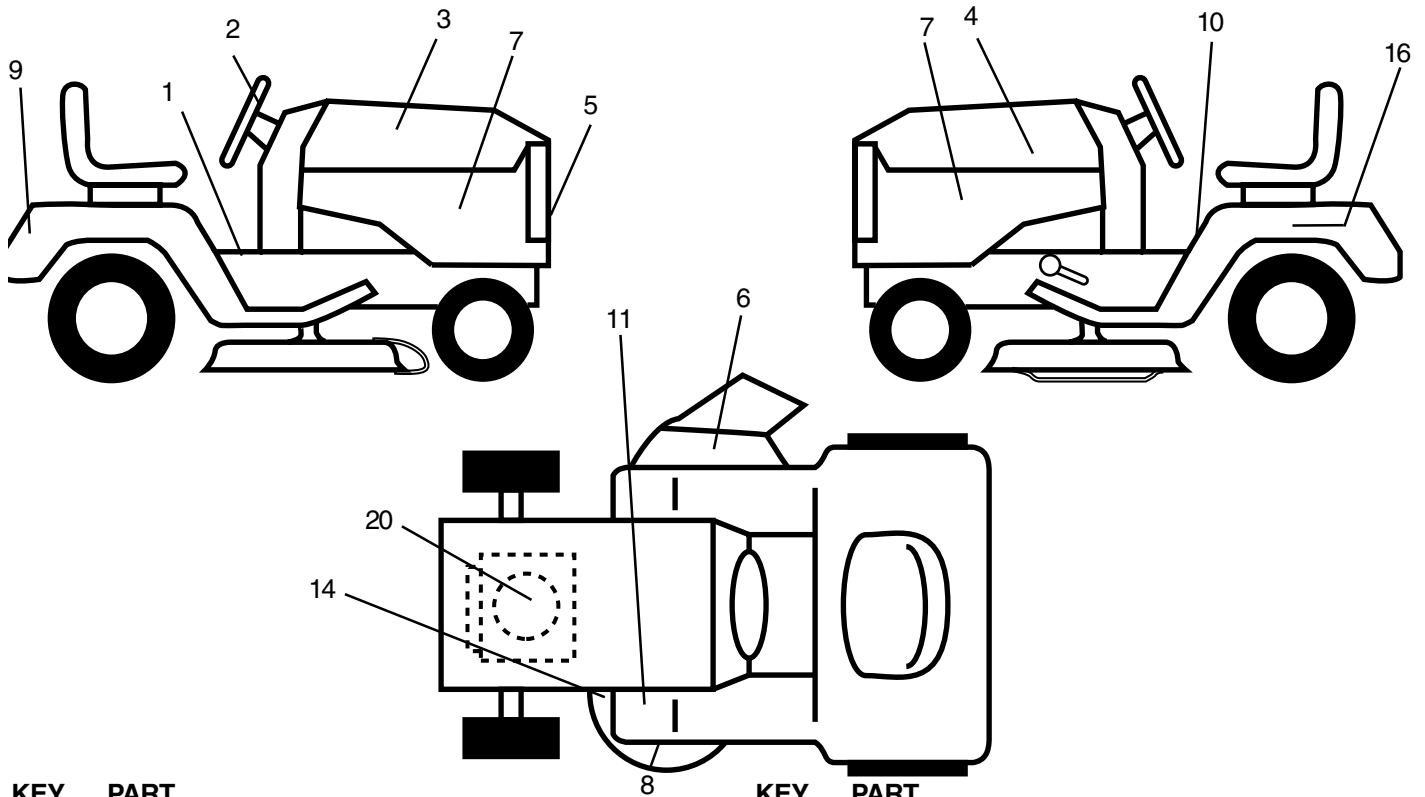
| KEY NO. | PART NO. | DESCRIPTION                       |
|---------|----------|-----------------------------------|
| 14      | 72050412 | Bolt Rdhd Sht Nk 1/4-20 x 1-1/2   |
| 15      | 134300   | Spacer Split 28 x 96 Yel Zinc     |
| 16      | 121250X  | Spring Cprsn 1 27 Blk Pnt         |
| 17      | 123976X  | Nut Lock 1/4 Lge Flg Gr 5 Zinc    |
| 21      | 171852   | Bolt Shoulder 5/16-18 Unc Blkz-2A |
| 22      | 73800500 | Nut                               |
| 23      | 71110814 | Bolt Hex Black                    |
| 24      | 19171912 | Washer 17/32 x 1-3/16 x 12 Ga     |
| 25      | 127018X  | Bolt Shoulder 5/16-18 x 62        |
| 26      | 10040800 | Lockwasher                        |

**NOTE:** All component dimensions given in U.S. inches  
1 inch = 25.4 mm

# REPAIR PARTS

## TRACTOR - - MODEL NUMBER WE16542E

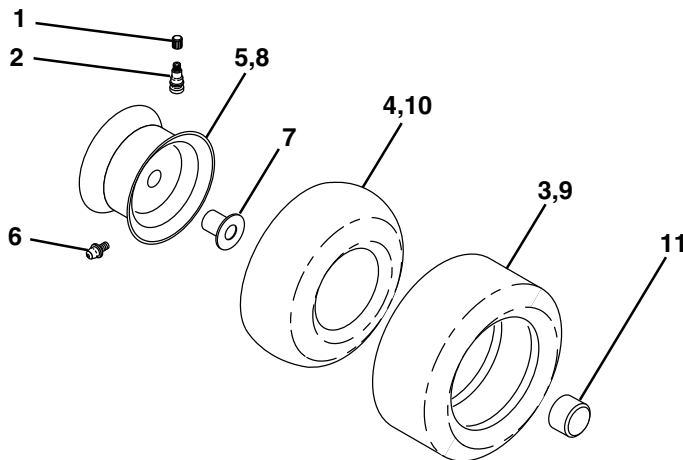
### DECALS



| KEY NO. | PART NO. | DESCRIPTION                      |
|---------|----------|----------------------------------|
| 1       | 157163   | Decal Instruction Operat English |
| 2       | 162398   | Decal Ins Strg Wh                |
| 3       | 162389   | Decal Hood Rh                    |
| 4       | 162390   | Decal Hood Lh                    |
| 5       | 162392   | Decal Grille Logo                |
| 6       | 170563   | Decal, Warning                   |
| 7       | 162462   | Decal Panel Side                 |
| 8       | 162391   | Decal Deck Grasseater            |
| 9       | 171448   | Decal Fender Logo                |

| KEY NO. | PART NO.      | DESCRIPTION                 |
|---------|---------------|-----------------------------|
| 10      | 157140        | Decal Danger English        |
| 11      | 101892X       | Decal Clutch/brake English  |
| 14      | 160396        | Decal V-belt Schematic 42"  |
| 16      | 145005        | Decal Battery Danger/Poison |
| 20      | 170945        | Decal HP Engine             |
| --      | 157199X428    | Pad Footrest                |
| --      | 138311        | Decal Lift Handle           |
| --      | <b>180530</b> | Manual Owner's English      |
| --      | <b>180531</b> | Manual Owner's French       |

### WHEELS & TIRES



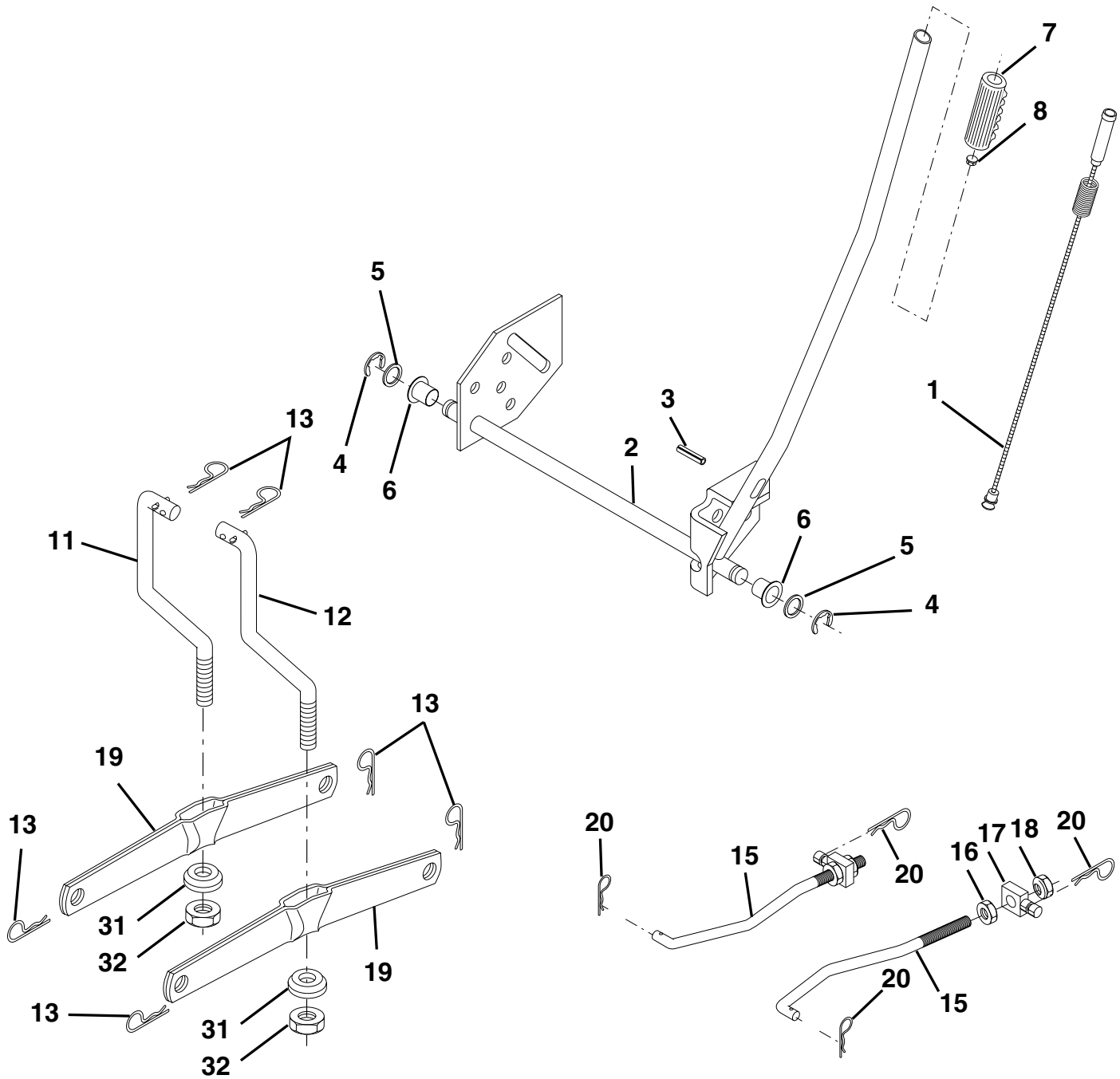
| KEY NO. | PART NO.   | DESCRIPTION                       |
|---------|------------|-----------------------------------|
| 1       | 59192      | Cap Valve Tire                    |
| 2       | 65139      | Stem Valve                        |
| 3       | 106222X    | Tire F Ts 15 X 6 0 - 6 Service    |
| 4       | 59904      | Tube Front (Service Item Only)    |
| 5       | 106732X427 | Rim Asm 6"front White Service     |
| 6       | 278H       | Fitting Grease (Front Wheel Only) |
| 7       | 9040H      | Bearing Flange (Front Wheel Only) |
| 8       | 106108X427 | Rim Asm 8"rear White Service      |
| 9       | 138468     | Tire R Ts 20x8-8 C Service        |
| 10      | 7152J      | Tube Rear (Service Item Only)     |
| 11      | 104757X428 | Cap Axle Blk 1 50 X 1 00          |
| --      | 144334     | Sealant, Tire (10 oz. Tube)       |

**NOTE:** All component dimensions given in U.S. inches  
1 inch = 25.4 mm

# REPAIR PARTS

TRACTOR - - MODEL NUMBER WE16542E

## MOWER LIFT



# REPAIR PARTS

## TRACTOR - - MODEL NUMBER WE16542E

### MOWER LIFT

| KEY NO. | PART NO.      | DESCRIPTION                   |
|---------|---------------|-------------------------------|
| 1       | 159460        | Wire Asm Inner/Sprg w/Plunger |
| 2       | 159471        | Shaft Asm Lift                |
| 3       | 105767X       | Pin Groove                    |
| 4       | 12000002      | E Ring #5133-62               |
| 5       | 19211621      | Washer 21/32 x 1 x 21 Ga.     |
| 6       | 120183X       | Bearing Nylon                 |
| 7       | 109413X       | Grip Handle                   |
| 8       | 124526X       | Button Plunger                |
| 11      | 139865        | Link Lift Lh                  |
| 12      | 139866        | Link Lift Rh                  |
| 13      | 4939M         | Retainer Spring               |
| 15      | 173288        | Link Front                    |
| 16      | 73350800      | Nut Jam Hex 1/2-13 Unc        |
| 17      | <b>175689</b> | Trunnion                      |
| 18      | 73800800      | Nut Lock w/Wsh 1/2-13 Unc     |
| 19      | 139868        | Arm Suspension Rear           |
| 20      | 163552        | Retainer Spring               |
| 31      | 169865        | Bearing Pvt Lift              |
| 32      | 73540600      | Nut Crownlock 3/8-24          |

**NOTE:** All component dimensions given in U.S. inches  
1 inch = 25.4 mm





# REPAIR PARTS

## TRACTOR - - MODEL NUMBER WE16542E

### MOWER DECK

| KEY NO. | PART NO.      | DESCRIPTION                      | KEY NO. | PART NO.        | DESCRIPTION  |
|---------|---------------|----------------------------------|---------|-----------------|--|
| 1       | 165892        | Mower Deck Assembly, 42"         | 54      | 133943          | Washer, Hardened   |
| 2       | 72140506      | Bolt                             | 55      | 155046          | Arm, Idler   |
| 3       | 138017        | Bracket Asm Fr. Sway Bar 3/42    | 56      | 165723          | Spacer, Retainer   |
| 4       | 165460        | Bracket Asm Deck 42" Sway Bar    | 59      | 141043          | Guard TUV Idler  |
| 5       | 4939M         | Retainer Spring                  | 67      | 106932X         | Knob   |
| 6       | 130832        | Arm, Suspension, Rear            | 68      | 144959          | V-Belt, 42" Mower  |
| 8       | 850857        | Bolt 3/8-24 x 25 Grade 8 patched | 111     | <b>179292</b>   | Bracket Gauge Wheel Lh   |
| 9       | 10030600      | Washer, Lock                     | 112     | <b>179293</b>   | Bracket Gauge Wheel Rh   |
| 10      | 140296        | Washer, Hardened                 | 113     | <b>17060508</b> | Screw Tapping 5/16-18 Unc X 1/2  |
| 11      | 138498        | Blade                            | 114     | 73510500        | Nut Keps 5/16-18unc  |
| 13      | 137645        | Shaft Assembly, Mandrel, Vented  | 115     | <b>72110505</b> | Bolt Carr 5/16-Unc x 5/8   |
| 14      | 128774        | Housing, Mandrel, Vented         | 116     | 4898H           | Bolt Shld  |
| 15      | 110485X       | Bearing, Ball, Mandrel           | 117     | 105455X         | Wheel Gauge Blk  |
| 16      | <b>174493</b> | Stripper                         | 118     | 73930600        | Nut Centerlock 3/8-16unc   |
| 18      | 72140505      | Bolt, Carriage 5/16-18 x 5/8     | 119     | 19121414        | Washer 3/8 x 7/8 x 14 Ga.  |
| 19      | 132827        | Bolt, Shoulder                   | 120     | 19171512        | Washer 17/32 x 15/16 x 12 Ga.  |
| 20      | 159770        | Baffle, Vortex                   | 142     | 165890          | Arm Spring Brake Mower   |
| 21      | 73680500      | Nut                              | 143     | 157109          | Bracket Arm Idler 42"  |
| 22      | 134753        | Stiffener Bracket                | 144     | 158634          | Keeper Belt 42" Clutch Cable   |
| 23      | 131267        | Bracket, Deflector Mower 42"     | 145     | 165888          | Pulley Idler Flat  |
| 24      | 105304X       | Cap, Sleeve 80 x 112 Blk Mower   | 146     | 171977          | Bolt Carriage Idler  |
| 25      | 123713X       | Spring, Torsion, Deflector 2 52  | 147     | 131335          | Spring Extension   |
| 26      | 110452X       | Nut, Push Phos & Oil             | 148     | 169022          | Spring Return Idler  |
| 27      | 130968X428    | Shield, Deflector 42" Blk        | 149     | 165898          | Retainer Spring Yellow   |
| 28      | 19111016      | Washer 11/32 x 5/8 x 16 Gauge    | 150     | 19091216        | Washer 9/32 x 3/4 x 16 Ga.   |
| 29      | 131491        | Rod, Hinge 42" 6 75 W/G          | 151     | 169670          | Bracket Clutch Cable   |
| 30      | <b>173984</b> | Screw Thdrol Washer Head         | 152     | 169676          | Clutch Cable 42"   |
| 31      | 129963        | Washer, Spacer Mower Vented      | 153     | 169674          | Washer Flat 3/8" Type B  |
| 32      | 153535        | Pulley, Mandrel                  | 154     | 169675          | Spring Retainer  |
| 33      | <b>178342</b> | Nut, Toplock                     | 155     | 169671          | Spring Retention LVR CLTCH CAB   |
| 34      | 72110614      | Bolt                             | 156     | 169672          | Spacer Clutch Cable  |
| 36      | 131494        | Pulley, Idler, Flat              | 157     | 169669          | Rod Clutch Cable 3/8"  |
| 37      | 19131316      | Washer 13/32 x 13/16 x 16 Gauge  | 158     | <b>17720408</b> | Screw Hex Thd Cut 1/4-20 x 1/2   |
| 40      | 73680600      | Nut                              | 159     | 72140614        | Bolt Rdhd Sqn 3/8-16 UNC x 1-3/4   |
| 44      | 140088        | Guard, Mandrel, LH               | --      | <b>137094</b>   | Mandrel Assembly (Includes Housing, Shaft and Shaft Hardware Only - Pulley not included) |
| 45      | 4497H         | Retainer                         | --      | 171491          | Mower Replacement, Complete  |
| 46      | 137729        | Screw, Thdrol 1/4-20 x 5/8 T     |         |                 |  |
| 48      | 133944        | Washer, Hardened                 |         |                 |  |
| 49      | 174284        | Roller Assembly, Cam Follower    |         |                 |  |
| 50      | 131340        | Bolt, Shoulder #10-24 Grade 5    |         |                 |  |
| 51      | 69180         | Locknut                          |         |                 |  |
| 52      | 139888        | Bolt, Shoulder 5/16-18 UNC       |         |                 |  |
| 53      | 131845        | Arm Assembly, Pad, Brake         |         |                 |  |

**NOTE:** All component dimensions given in U.S. inches  
1 inch = 25.4 mm