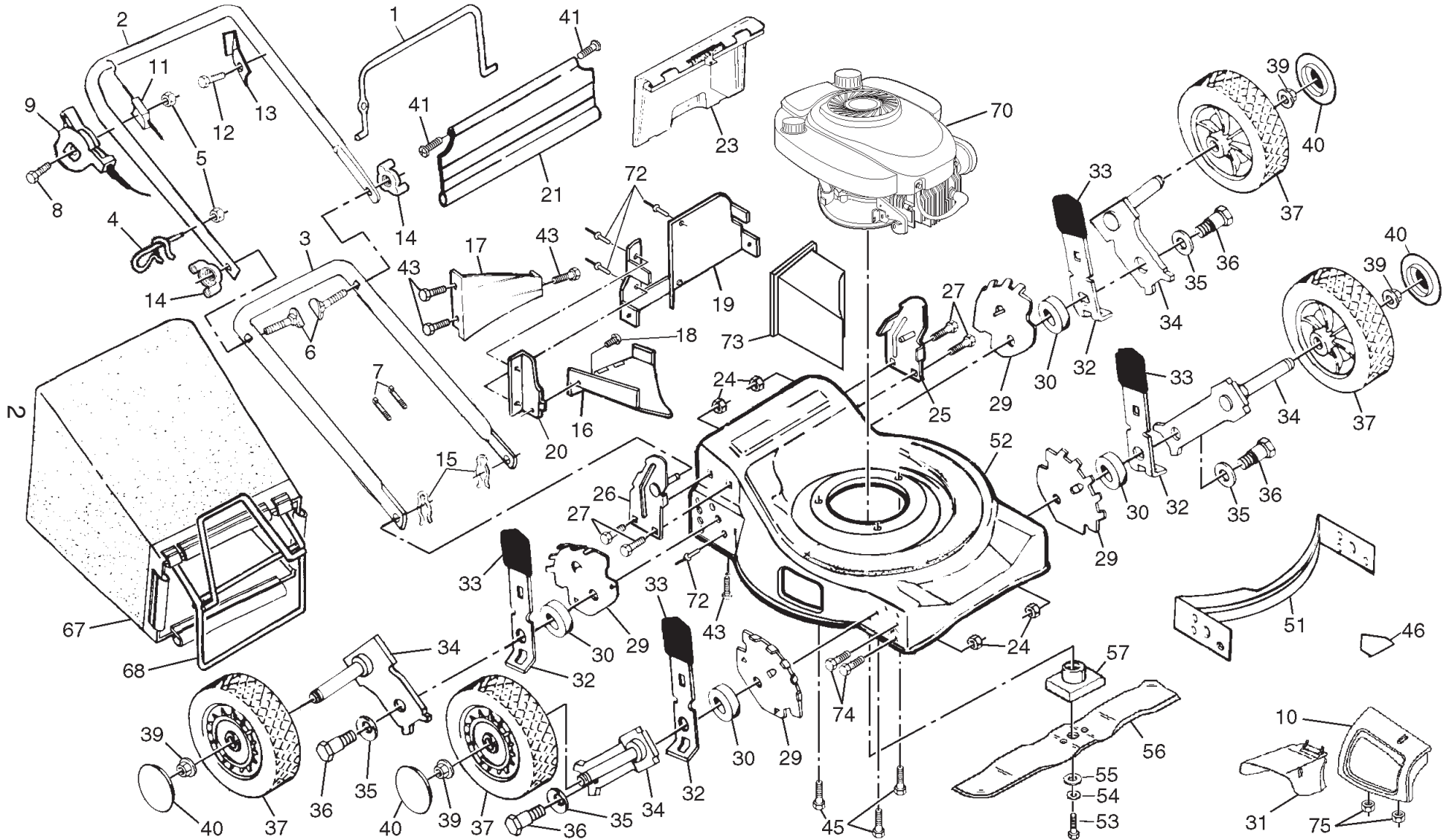


ROTARY LAWN MOWER - - MODEL NUMBER WE45TN20RE



ROTARY LAWN MOWER - - MODEL NUMBER WE45TN20RE

KEY NO.	PART NO.	DESCRIPTION	KEY NO.	PART NO.	DESCRIPTION
1	131696	Control Bar	35	62335	Belleville Washer
2	166860X479	Upper Handle	36	142748	Shoulder Bolt 3/8-16
3	151590X479	Lower Handle	37	146247	Wheel Assembly
4	179585	Rope Guide	39	83923	Flanged Locknut
5	132004	Locknut 1/4-20	40	77400	Hubcap
6	131959	Handle Bolt	41	88652	Hinge Screw
7	66426	Wire Tie	43	54583	Hex Head Tapping Screw 1/4-20 x 1/2
8	183365	Hex Washer Head Screw 1/4-20 x 2-1/8	45	150406	Hex Head Thread Rolling Screw 3/8-16 x 1
9	163054	Throttle Control	46	107339X	Danger Decal
10	147738	Combi-cut Door	51	170540	Front Baffle Kit
11	851671	Engine Zone Control Cable	52	170539	Housing Assembly (Includes Key Number 46)
12	750634	Hex Washer Head Screw #10-24 x 1/2	53	851084	Hex Head Screw 3/8-24 x 1-3/8 Grade 8
13	850733X004	Up-Stop Bracket	54	850263	Helical Lockwasher
14	128638	Wing Nut	55	851074	Hardened Washer
15	51793	Hairpin Cotter	56	145106	20" Blade
16	133188X479	Discharge Baffle	57	850977	Blade Adapter
17	169207X479	Rear Baffle	67	191251	Grassbag
18	150050	Hex Head Screw #10-24 x 1/2	68	149555	Frame, Grassbag
19	156445X479	Back Plate	70	---	Engine, Tecumseh, Model Number LV195EA (For engine service and replacement parts, call Tecumseh Products at 1-800-558-5402)
20	700363X479	Side Baffle			
21	188984	Rear Skirt			
23	147613	Rear Door Assembly	72	128415	Pop Rivet
24	751592	Locknut 3/8-16	73	166650	Mulcher Plug
25	151589X479	Handle Bracket Assembly, LH	74	17600406	Screw
26	151588X479	Handle Bracket Assembly, RH	75	73800400	Nut, Hex
27	150078	Screw 5/16-18 x 3/4	--	162300	Warning Decal(not shown)
29	700325X007	Wheel Adjusting Bracket	--	172782	Operator's Manual, English
30	146630	Spacer	--	172783	Operator's Manual, French
31	145285	Discharge Deflector	--	191250	Repair Parts Manual, English / French
32	700331X004	Selector Spring			
33	87877	Selector Knob			
34	145935X004	Axle Arm Assembly			

NOTE: All component dimensions given in U.S. inches.
1 inch = 25.4 mm