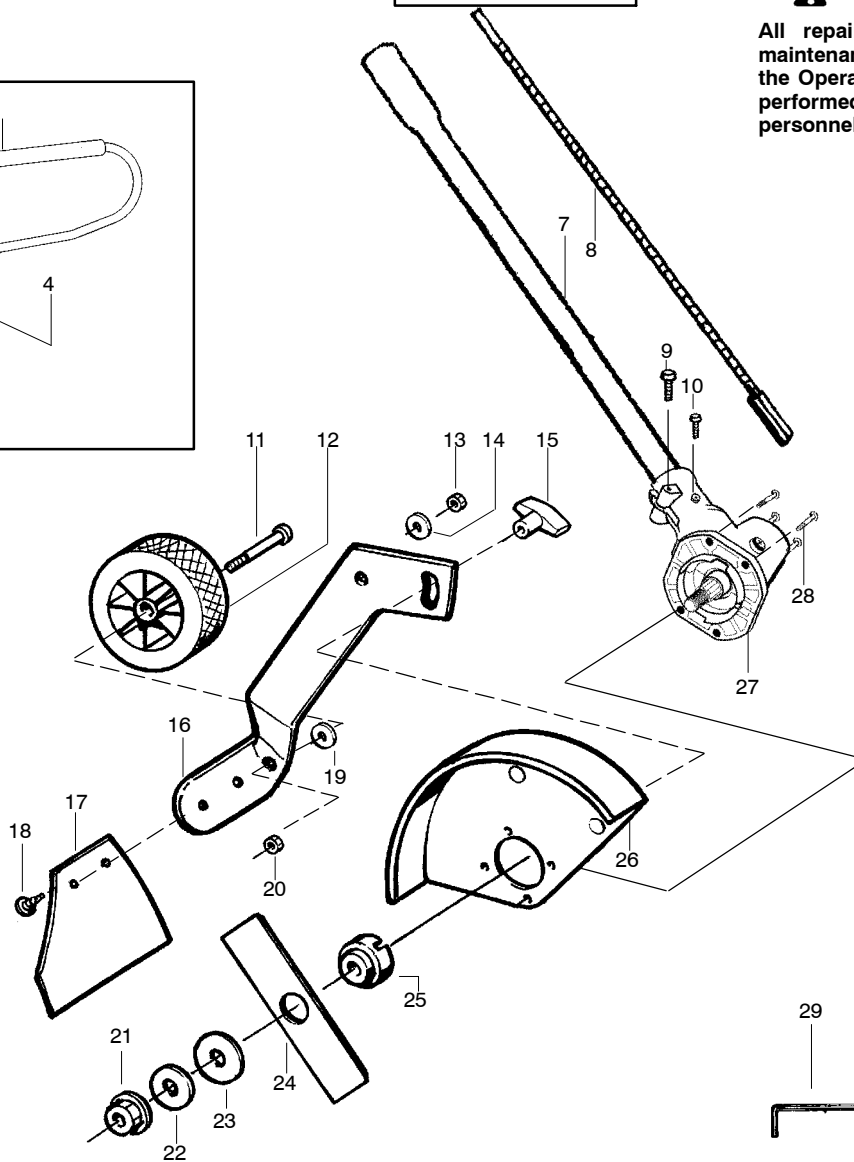
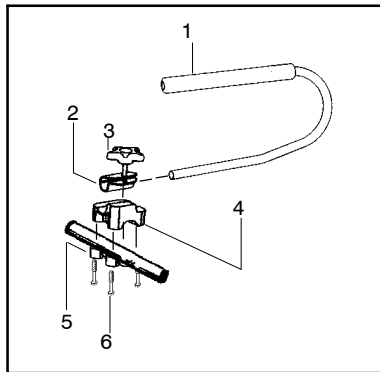


## TYPE 1

**⚠ WARNING**  
 All repairs, adjustments and maintenance not described in the Operator's Manual must be performed by qualified service personnel.



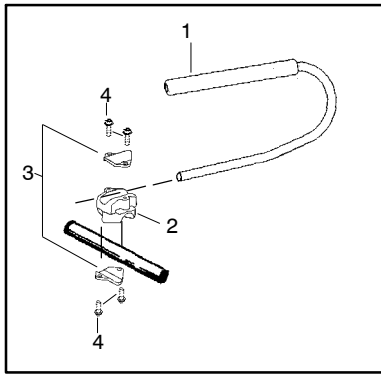
| Ref. | Part No.  | Description                               | Ref. | Part No.  | Description         |
|------|-----------|---|------|-----------|---------------------|
| 1.   | 530071394 | Kit-Handlebar<br>(incl. grip, cap, decal) | 18.  | 530053012 | Fastener-Mud Flap   |
| 2.   | 530095970 | Clamp-Handlebar                           | 19.  | 530092062 | Washer              |
| 3.   | 530016336 | Knob                                      | 20.  | 530015515 | Locknut             |
| 4.   | 530095971 | Base-Clamp                                | 21.  | 530015793 | Nut-Flange (L.H.)   |
| 5.   | 530071684 | Kit-Clamp-Tube (incl. #6)                 | 22.  | 530016240 | Washer-Belleville   |
| 6.   | 530015770 | Screw                                     | 23.  | 530015792 | Washer-Flat         |
| 7.   | 530096000 | Assy.-Driveshaft                          | 24.  | 530053007 | Blade               |
| 8.   | 530096183 | Flexshaft-Split boom                      | 25.  | 530054623 | Dustcup             |
| 9.   | 530016014 | Screw                                     | 26.  | 530071384 | Kit-Edger Guard     |
| 10.  | 530016224 | Screw-Alignment                           | 27.  | 530071586 | Kit-Gearbox         |
| 11.  | 530015981 | Bolt-Shoulder Axle                        | 28.  | 530016312 | Screw               |
| 12.  | 530095125 | Wheel-4" (rubber)                         | 29.  | 530031159 | Wrench-Hex (5/32")  |
| 13.  | 530015515 | Locknut                                   |      |           | Not Shown           |
| 14.  | 530092062 | Washer                                    |      | 530163557 | Manual              |
| 15.  | 530092059 | Knob                                      |      | 530095894 | Hanger-Attachment   |
| 16.  | 530053009 | Bracket-Adj. Wheel                        |      | 530056125 | Decal-Shaft Warning |
| 17.  | 530071251 | Kit-Mud Flap (incl. #18)                  |      | 530053138 | Decal-Guard Warning |

✓ = NEW PART NUMBER FOR THIS IPL

★ = REFER TO THE SERVICE REFERENCE INDICATED FOR MORE INFORMATION. (LOCATED AT END OF IPL)

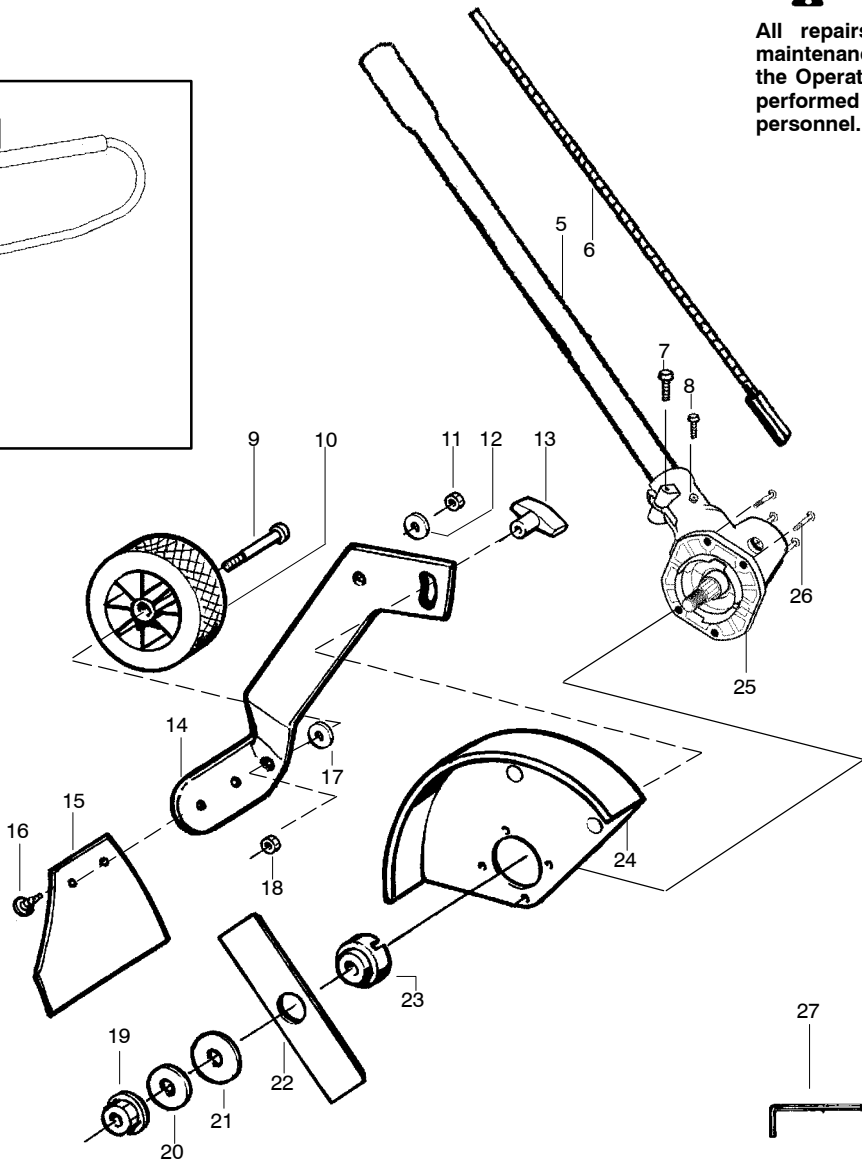
**Note:** Illustration may differ from actual model due to design changes

## TYPE 2



**WARNING**

All repairs, adjustments and maintenance not described in the Operator's Manual must be performed by qualified service personnel.



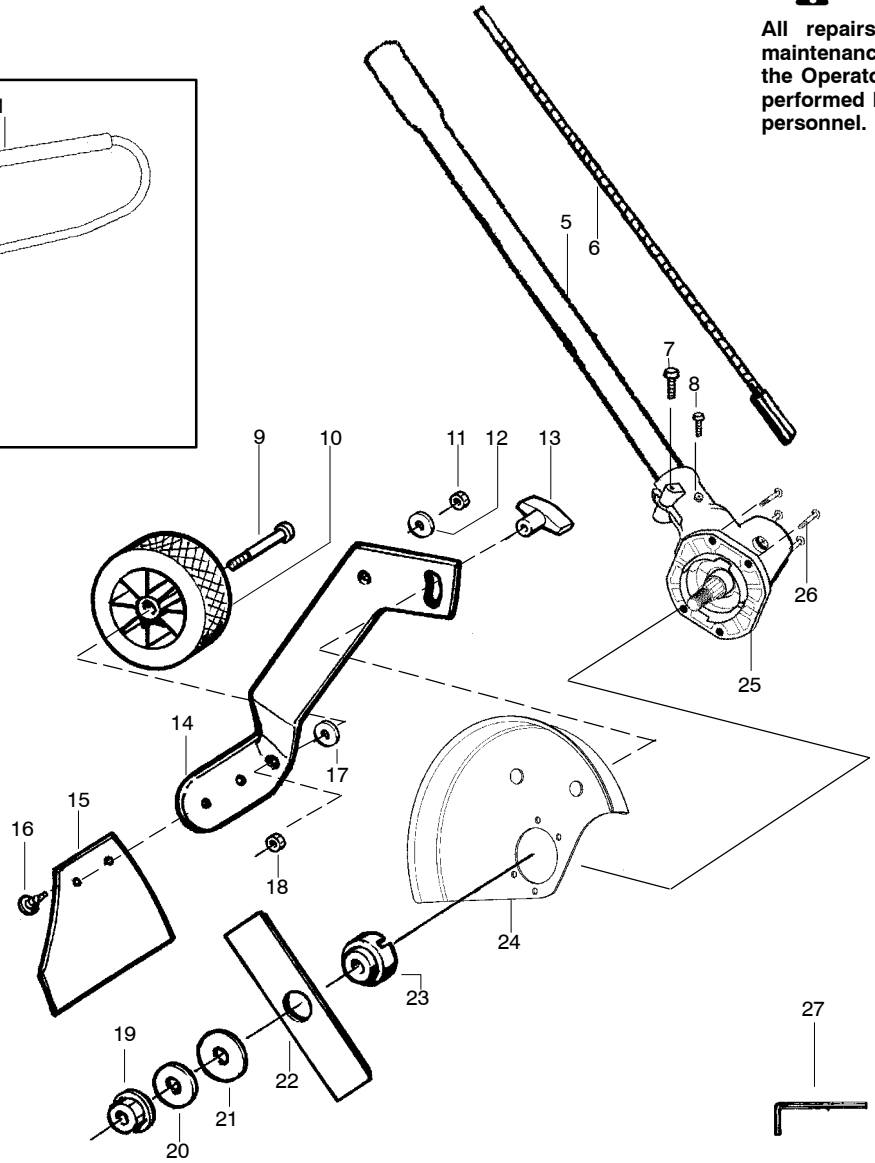
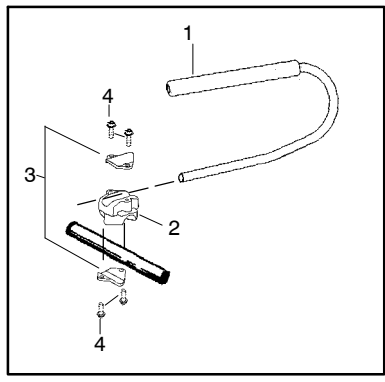
| Ref. | Part No.  | Description                          | Ref. | Part No.  | Description         |
|------|-----------|--------------------------------------|------|-----------|---------------------|
| 1.   | 530071394 | Kit-Handlebar (incl. grip,cap,decal) | 16.  | 530053012 | Fastener-Mud Flap   |
| 2.   | ----      | Clamp-Handlebar ( 7/8" )             | 17.  | 530092062 | Washer              |
| 3.   | 530058766 | ( 1" )                               | 18.  | 530015515 | Locknut             |
| 4.   | 530058765 | Bracket-Clamp                        | 19.  | 530015793 | Nut-Flange (L.H.)   |
| 5.   | 530015886 | Screw                                | 20.  | 530016014 | Washer-Belleville   |
| 6.   | 530071863 | Assy.-Driveshaft                     | 21.  | 530015792 | Washer-Flat         |
| 7.   | 530096183 | Flexshaft-Split boom                 | 22.  | 530053007 | 7.5" Blade          |
| 8.   | 530016014 | Screw                                | 23.  | 530054623 | Dustcup             |
| 9.   | 530016224 | Screw-Alignment                      | 24.  | 530071384 | Kit-Edger Guard     |
| 10.  | 530015981 | Bolt-Shoulder Axle                   | 25.  | 530071586 | Kit-Gearbox         |
| 11.  | 530095125 | Wheel-4" (rubber)                    | 26.  | 530016312 | Screw               |
| 12.  | 530015515 | Locknut                              | 27.  | 530031159 | Wrench-Hex (5/32")  |
| 13.  | 530092062 | Washer                               |      |           |                     |
| 14.  | 530092059 | Knob                                 |      |           |                     |
| 15.  | 530053009 | Bracket-Adj. Wheel                   |      |           |                     |
|      | 530071251 | Kit-Mud Flap (incl.#16)              |      |           |                     |
|      |           |                                      |      | Not Shown |                     |
|      |           |                                      |      | 530164832 | Manual              |
|      |           |                                      |      | 530095894 | Hanger-Attachment   |
|      |           |                                      |      | 530059671 | Decal-Shaft Warning |
|      |           |                                      |      | 530053138 | Decal-Guard Warning |

✓ = NEW PART NUMBER FOR THIS IPL      ★ = REFER TO THE SERVICE REFERENCE INDICATED FOR MORE INFORMATION. (LOCATED AT END OF IPL)

## TYPE 3

**⚠ WARNING**

All repairs, adjustments and maintenance not described in the Operator's Manual must be performed by qualified service personnel.



| Ref. | Part No.  | Description                          | Ref. | Part No.  | Description         |
|------|-----------|--------------------------------------|------|-----------|---------------------|
| 1.   | 530071394 | Kit-Handlebar (incl. grip,cap,decal) | 16.  | 530053012 | Fastener-Mud Flap   |
| 2.   | ----      | Clamp-Handlebar (7/8")               | 17.  | 530092062 | Washer              |
|      | 530058766 | ( 1")                                | 18.  | 530015515 | Locknut             |
| 3.   | 530058563 | Bracket-Clamp                        | 19.  | 530015793 | Nut-Flange (L.H.)   |
| 4.   | 530015886 | Screw                                | 20.  | 530016240 | Washer-Belleville   |
| 5.   | 530071913 | Assy.-Driveshaft                     | 21.  | 530015792 | Washer-Flat         |
| 6.   | 530096183 | Flexshaft-Split boom                 | 22.  | 530053007 | 7.5" Blade          |
| 7.   | 530016014 | Screw                                | 23.  | 530054623 | Dustcup             |
| 8.   | 530016224 | Screw-Alignment                      | 24.  | 530071930 | Kit-Edger Guard     |
| 9.   | 530015981 | Bolt-Shoulder Axle                   | 25.  | 530071586 | Kit-Gearbox         |
| 10.  | 530095125 | Wheel-4" (rubber)                    | 26.  | 530016312 | Screw               |
| 11.  | 530015515 | Locknut                              | 27.  | 530031159 | Wrench-Hex (5/32")  |
| 12.  | 530092062 | Washer                               |      |           |                     |
| 13.  | 530092059 | Knob                                 |      |           | Not Shown           |
| 14.  | 530053009 | Bracket-Adj. Wheel                   | ✓    | 545133462 | Manual              |
| 15.  | 530071251 | Kit-Mud Flap (incl.#16)              |      | 530095894 | Hanger-Attachment   |
|      |           |                                      |      | 530059838 | Decal-Shaft Warning |
|      |           |                                      |      | 530053138 | Decal-Guard Warning |

✓ = NEW PART NUMBER FOR THIS IPL

★ = REFER TO THE SERVICE REFERENCE INDICATED FOR MORE INFORMATION. (LOCATED AT END OF IPL)