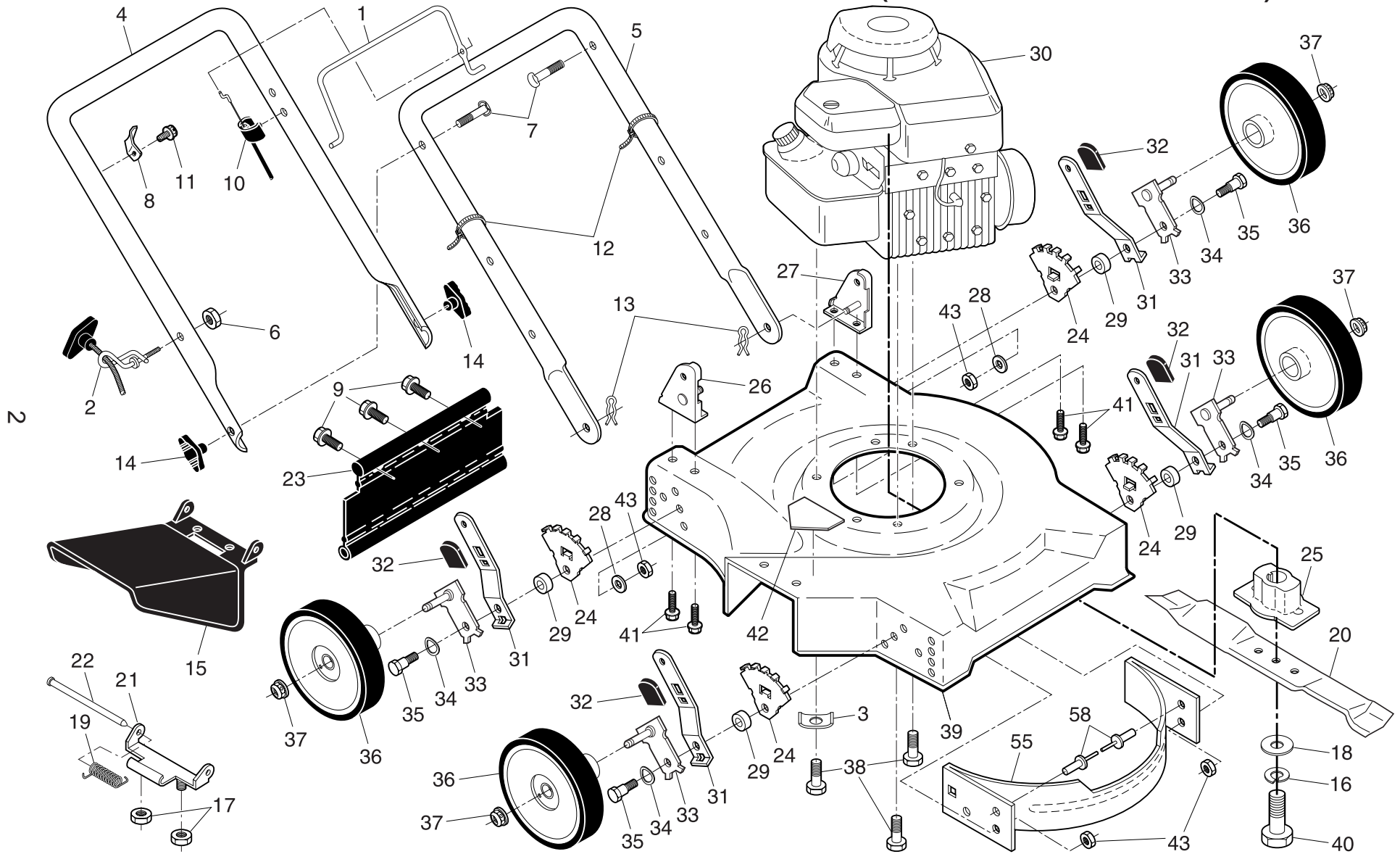


REPAIR PARTS MANUAL
MODEL NUMBER 961140007
MFG. ID. NO. 96114000721
Rotary Lawn Mower

WEED EATER®

ROTARY LAWN MOWER -- MODEL NUMBER 961140007 (MFG. ID. NUMBER 96114000721)



ROTARY LAWN MOWER - - MODEL NUMBER 961140007 (MFG. ID. NUMBER 96114000721)

KEY PART NO. NO.	DESCRIPTION	KEY PART NO. NO.	DESCRIPTION
1 194176X428	Control Bar	26 170345X479	Handle Bracket Assembly, RH
2 194788	Rope Guide	27 170346X479	Handle Bracket Assembly, LH
3 851201X004	Engine Washer	28 61537	Washer, Flat
4 194180X479	Upper Handle	29 401629	Spacer
5 151590X479	Lower Handle	30 - - -	Engine, Briggs & Stratton, Model Number 9S502 (For engine service and replacement parts, call Briggs & Stratton at 1-800-233-3723)
6 132004	Nut, Hex		
7 191574	Handle Bolt 5/16-18 x 1-3/4		
8 86899X004	Up-Stop Bracket	31 401621X004	Selector Spring
9 189241	Hex Washer Head Screw #10-24 x 1/2	32 87877	Selector Knob
10 162778	Engine Zone Control Cable	33 401179X004	Axle Arm Assembly
11 750634	Screw	34 401630	Washer, Curved, Cylindrical
12 66426	Wire Tie	35 401638	Shoulder Bolt
13 51793	Hairpin Cotter	36 405967X617	Wheel and Tire Assembly
14 189713X428	Knob, Handle	37 409148	Nut, Hex
15 412277X428	Discharge Guard	38 150406	Hex Head Thread Rolling Screw 3/8-16 x 1-1/8
16 850263	Helical Lock Washer 3/8	39 414790	Lawn Mower Housing
17 73800400	Locknut, Hex 1/4-20	40 851084	Hex Head Screw 3/8-24 x 1-3/8 Grade 8
18 851074	Hardened Washer	41 149741	Thread Cutting Screw 5/16-18 x 3/4
19 411832	Torsion Spring	42 404763	Danger Decal
20 145106	Blade, 20"	43 73930500	Locknut, Hex 3/8-16
21 88602	Hinge Deflector	55 700839X479	Baffle, Front
22 150215	Hinge Rod	58 128415	Pop Rivet
23 189240	Rear Deflector	-- 404764	Warning Decal (not shown)
24 407494X005	Wheel Adjusting Bracket	-- 193732	Operator's Manual, English
25 850977	Blade Adapter	-- 193735	Operator's Manual, Spanish
		-- 419181	Repair Parts Manual, English

NOTE: All component dimensions given in U.S. inches. 1 inch = 25.4 mm.

IMPORTANT: Use only Original Equipment Manufacturer (O.E.M.) replacement parts. Failure to do so could be hazardous, damage your lawn mower and void your warranty.

LIMITED WARRANTY

The Manufacturer warrants to the original consumer purchaser that this product as manufactured is free from defects in materials and workmanship. For a period of two (2) years from date of purchase by the original consumer purchaser, we will repair or replace, at our option, without charge for parts or labor incurred in replacing parts, any part which we find to be defective due to materials or workmanship. This Warranty is subject to the following limitations and exclusions.

1. This warranty does not apply to the engine, transaxle/transmission components, battery (except as noted below) or components parts thereof. Please refer to the applicable manufacturer's warranty on these items.
2. Transportation charges for the movement of any power equipment unit or attachment are the responsibility of the purchaser. Transportation charges for any parts submitted for replacement under this warranty must be paid by the purchaser unless such return is requested by the manufacturer.
3. Battery Warranty: On products equipped with a Battery, we will replace, without charge to you, any battery which we find to be defective in manufacture, during the first ninety (90) days of ownership. After ninety (90) days, we will exchange the Battery, charging you 1/12 of the price of a new Battery for each full month from the date of the original sale. Battery must be maintained in accordance with the instructions furnished.
4. The Warranty period for any products used for rental or commercial purposes is limited to 45 days from the date of original purchase.
5. This Warranty applies only to products which have been properly assembled, adjusted, operated, and maintained in accordance with the instructions furnished. This Warranty does not apply to any product which has been subjected to alteration, misuse, abuse, improper assembly or installation, delivery damage, or to normal wear of the product.
6. Exclusions: Excluded from this Warranty are belts, blades, blade adapters, normal wear, normal adjustments, standard hardware and normal maintenance.
7. In the event you have a claim under this Warranty, you must return the product to an authorized service dealer.

Should you have any unanswered questions concerning this Warranty, contact:

Weed Eater
Customer Service Department
1030 Stevens Creek Road
Augusta, GA 30907 USA

In Canada contact:
Weed Eater
Customer Service Department
5855 Terry Fox Way
Mississauga, Ontario L5V 3E4

giving the model number, serial number and date of purchase of your product and the name and address of the authorized dealer from whom it was purchased.

THIS WARRANTY DOES NOT APPLY TO INCIDENTAL OR CONSEQUENTIAL DAMAGES AND ANY IMPLIED WARRANTIES ARE LIMITED TO THE SAME TIME PERIODS STATED HEREIN FOR OUR EXPRESSED WARRANTIES.

Some areas do not allow the limitation of consequential damages or limitations of how long an implied Warranty may last, so the above limitations or exclusions may not apply to you. This Warranty gives you specific legal rights, and you may have other rights which vary from locale to locale.

This is a limited Warranty within the meaning of that term as defined in the Magnuson-Moss Act of 1975.

WEED EATER®