

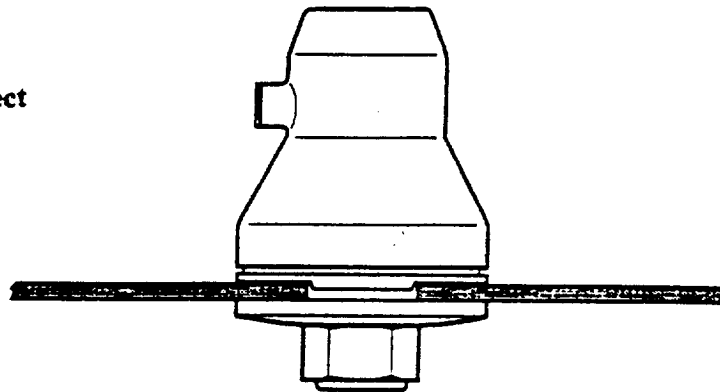
Cutting attachment GR 26/32.

.Assembly of blade and trimmer head.

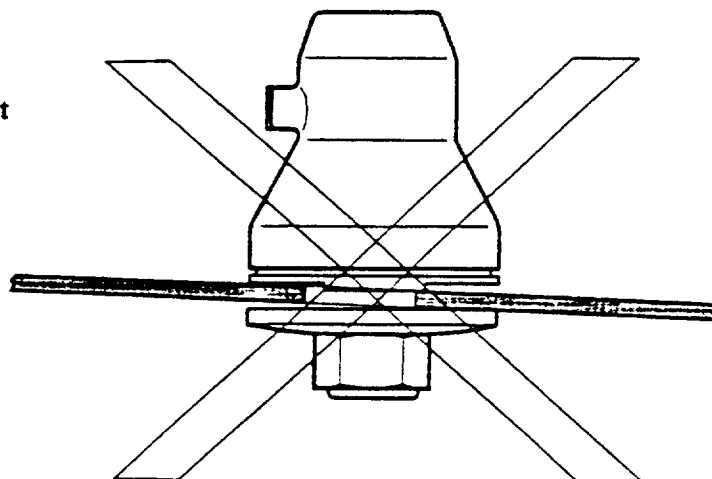
When assembling the cutting attachment it is important that the driver guide is located in the center of the hole in the cutting attachment.

Incorrect assembly of the cutting attachment can cause severe and/or grave personal injuries.

Correct



Incorrect



The information in this SMB may, rewritten be given to your dealers.