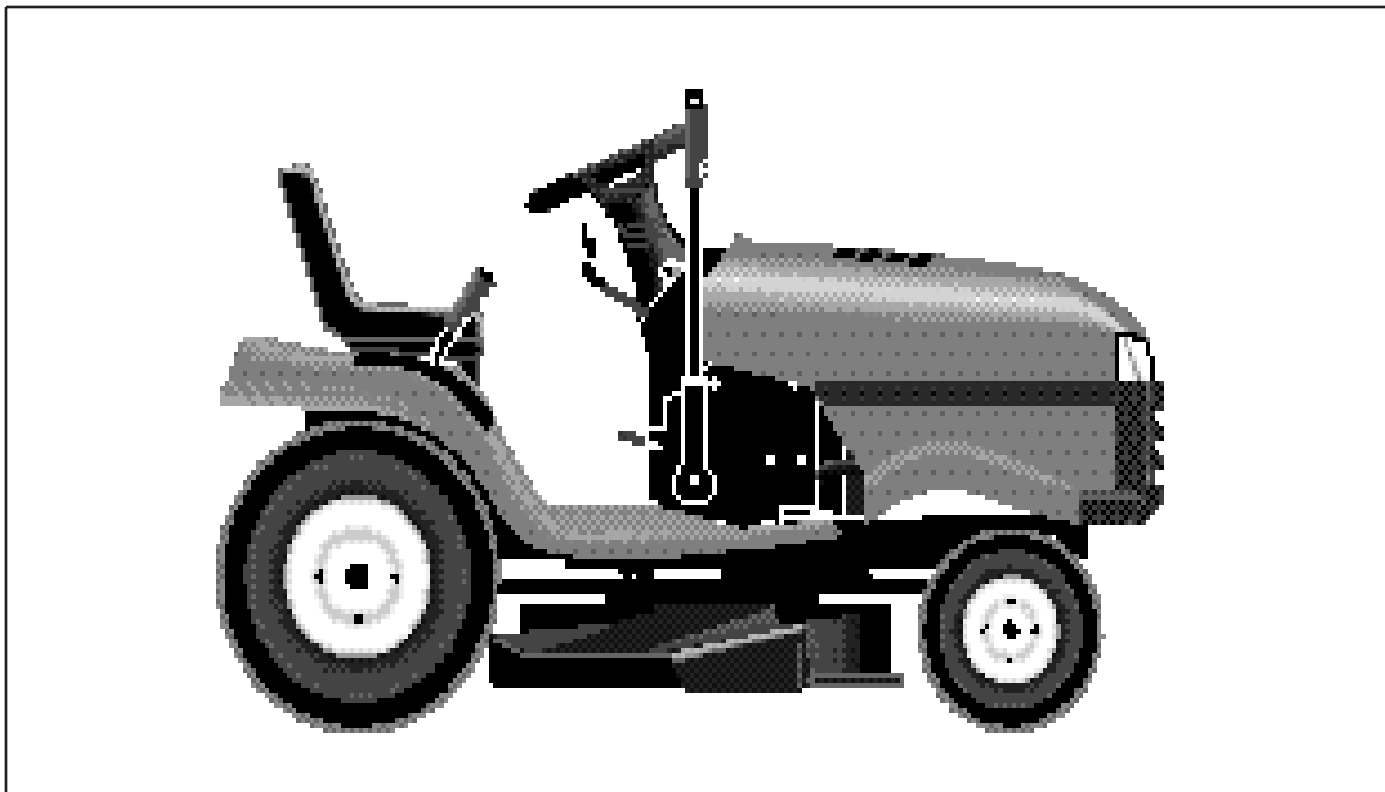


# YT 180

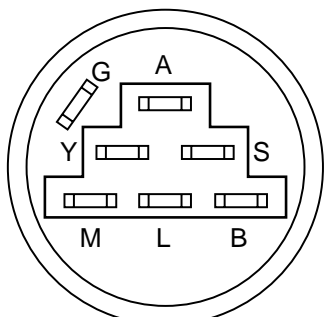
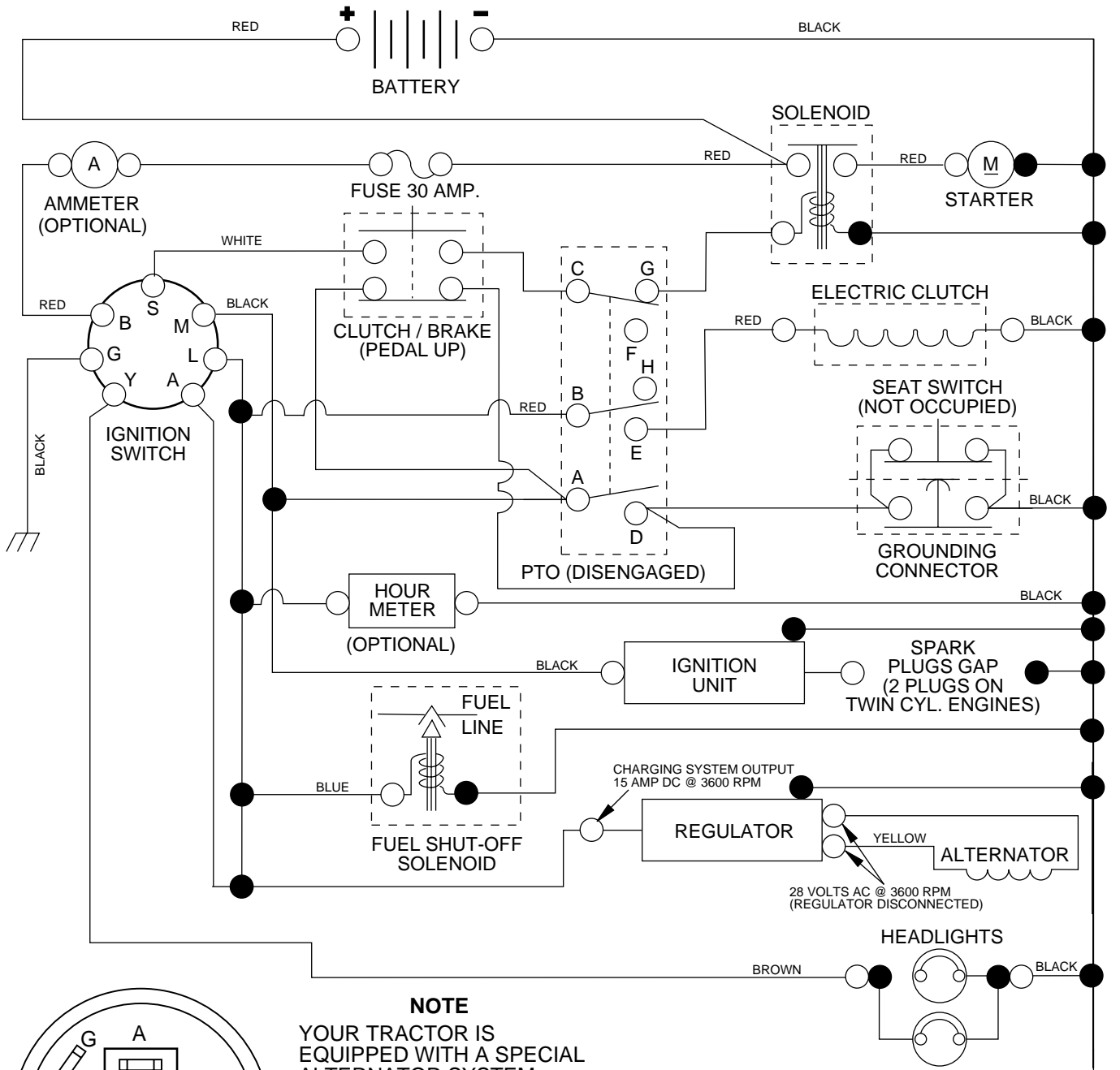


**1.1997**  
**Spare Parts**

**954 14 00-09A**

# TRACTOR - MODEL NUMBER YT180 (954140009A), PRODUCT NO. 954 14 00 09

## SCHEMATIC



**IGNITION SWITCH**

POSITION	CIRCUIT	"MAKE"
OFF	G + M + L	NONE
RUN/LIGHT	B + L	A + Y
RUN	B + L	NONE
START	B + L + S	NONE

**NOTE**

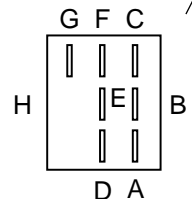
YOUR TRACTOR IS EQUIPPED WITH A SPECIAL ALTERNATOR SYSTEM. THE LIGHTS ARE NOT CONNECTED TO THE BATTERY, BUT HAVE THEIR OWN ELECTRICAL SOURCE. BECAUSE OF THIS, THE BRIGHTNESS OF THE LIGHTS WILL CHANGE WITH ENGINE SPEED. AT IDLE THE LIGHTS WILL DIM. AS THE ENGINE IS SPEEDED UP, THE LIGHTS WILL BECOME THEIR BRIGHTEST.

**WIRING INSULATED CLIPS**

**NOTE:** IF WIRING INSULATED CLIPS WERE REMOVED FOR SERVICING OF UNIT, THEY SHOULD BE REPLACED TO PROPERLY SECURE YOUR WIRING.

**PTO SWITCH**

POSITION	CIRCUIT
OFF	C + G, B + H
ON	C + F, B + E, A + D



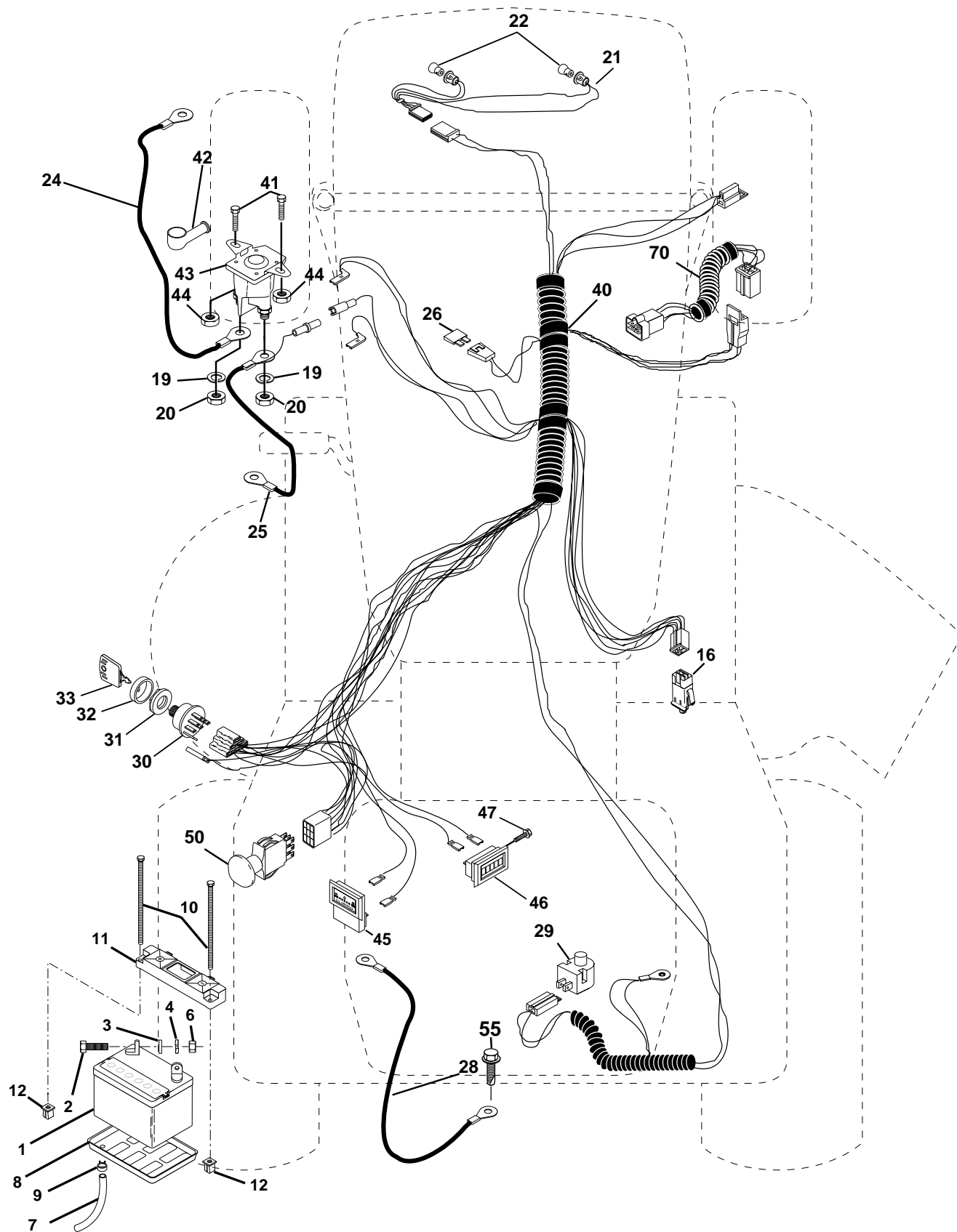
○ REMOVABLE CONNECTIONS

● NON-REMOVABLE CONNECTIONS

# REPAIR PARTS

TRACTOR - MODEL NUMBER YT180 (954140009A), PRODUCT NO. 954 14 00 09

## ELECTRICAL



# REPAIR PARTS

TRACTOR - MODEL NUMBER YT180 (954140009A), PRODUCT NO. 954 14 00 09

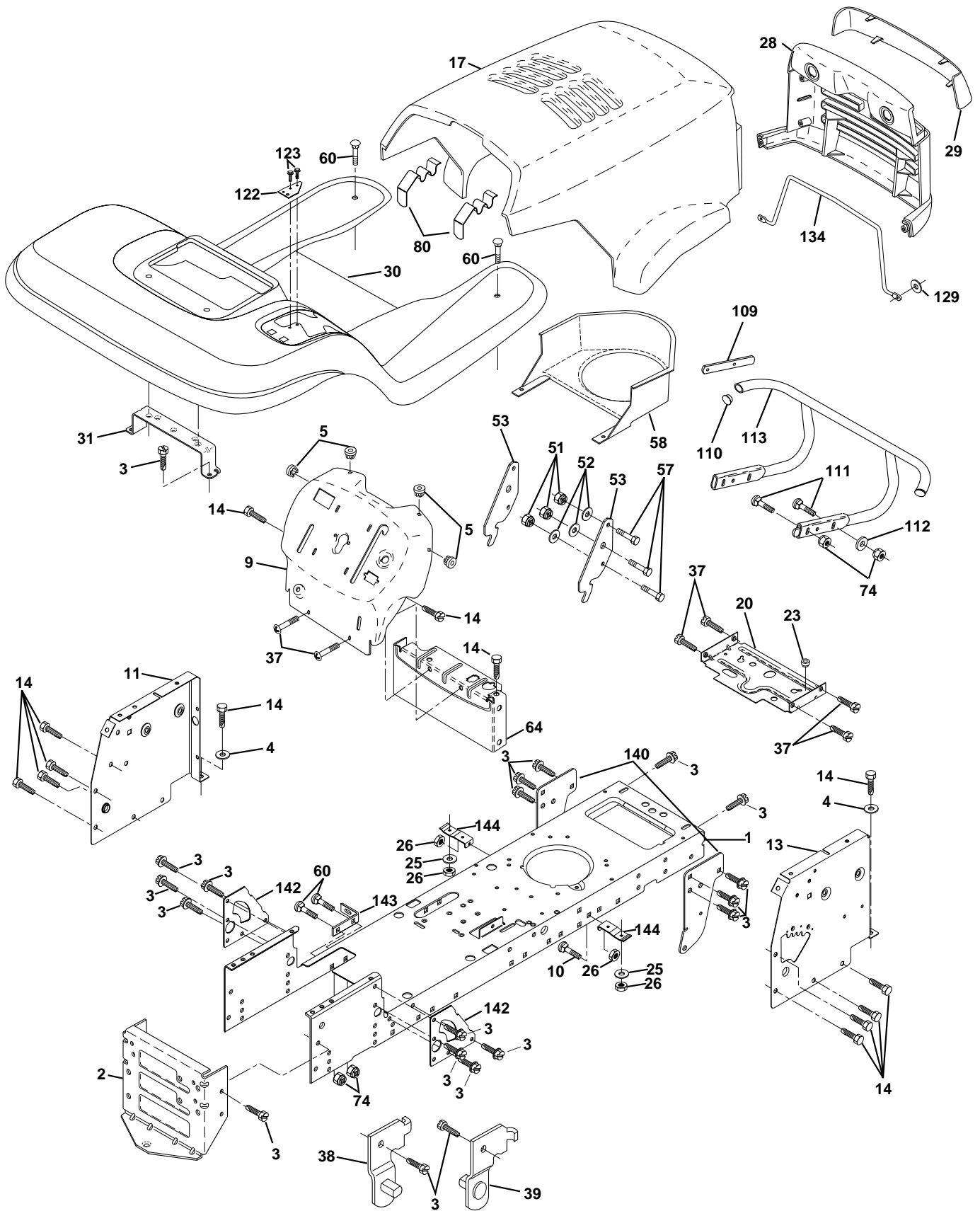
## ELECTRICAL

KEY NO.	PART NO.	DESCRIPTION
1	532 14 61-41	B attery 12 Volt 35 AMP
2	874 76 04-12	Bolt Hex Hd 1/4-20unc X 3/4
3	819 09 10-16	Washer 9/32 X 5/8 X 16 Ga.
4	810 04 04-00	Washer Lock Hvy Helical 1/4
6	873 22 04-00	Nut Fin Hex 1/4-20 Unc
7	532 00 76-97	Tube Plastic 46"Front Battery
8	532 12 48-86	Tray Battery 7.80 x 5.25 Blk
9	532 10 95-96	Clamp Hose Olive
10	532 14 52-11	Bolt Btr. Frt. 1/4-20 x 7.5 Zinc
11	532 15 01-09	Holddown Battery Front Mount
12	532 14 57-69	Nut Push Nylon 1/4" Battery Frt.
16	532 15 36-64	Switch Interlock Push-In
19	810 09 04-00	Washer Lock 1/4
20	873 35 04-00	Nut Jam Hex 1/4-20 Unc
21	532 13 68-50	Harness Asm Light W/4152j
22	532 00 41-52	Bulb Light #1156
24	532 12 47-80	Cable Battery 6 Ga 11" red
25	532 14 61-48	Cable Battery 6 Ga 22" red w/16 wire
26	532 10 88-24	Fuse 30 AMP Auto Green
28	532 14 54-91	Cable Ground 6 Ga 21" black
29	532 12 13-05	Switch Plunger Nc Gray
30	532 14 03-01	Switch Ign 4 pos w/lights
31	532 12 42-11	Nut Ignition
32	532 14 12-26	Cover Sw Ignition
33	532 12 21-47	Key Ign Modelled Generic
40	532 15 64-43	Harness Ign.
41	871 11 04-08	Bolt Blk Fin Hex 1/4 - 20 x 1/2
42	532 13 15-63	Cover Terminal Red
43	532 14 56-73	Solenoid
44	873 64 04-00	Nut Keps Hex 1/4-20 Unc
45	532 12 28-22	Ammeter Rectangular 15amp
46	532 11 09-40	Meter Hour
47	817 01 10-08	Screw 10-24 x 1/2 Black
50	532 15 49-59	Switch PTO 3PDT Black Delta 96
55	817 49 05-08	Screw Thdrol 5/16-18 x 1/2 TYT
70	532 15 75-40	Harness, Eng. Kohler CV 11 1Pc/PL

**NOTE:** All component dimensions given in U.S. inches.  
1 inch = 25.4 mm.

# REPAIR PARTS

TRACTOR - MODEL NUMBER YT180 (954140009A), PRODUCT NO. 954 14 00 09  
CHASSIS AND ENCLOSURES



# REPAIR PARTS

TRACTOR - MODEL NUMBER YT180 (954140009A), PRODUCT NO. 954 14 00 09

## CHASSIS AND ENCLOSURES

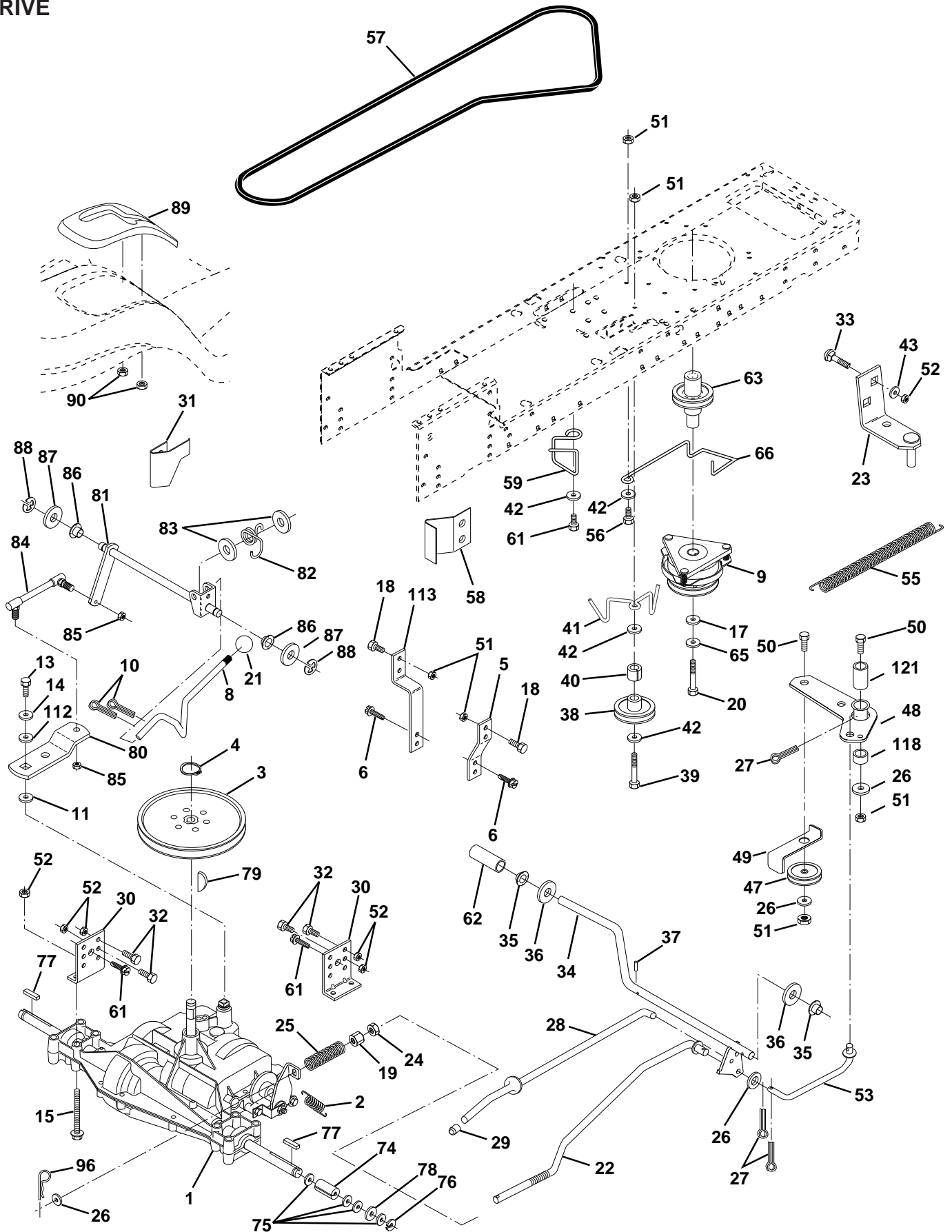
KEY NO.	PART NO.	DESCRIPTION
1	532 15 38-71	Chassis Weldment
2	532 14 03-56	Drawbar, Stretch
3	817 49 06-12	Screw Thdrol 3/8-16x3/4 Ty-tt
4	819 13 12-16	Washer 13/32 x 3/4 x 16 Ga.
5	532 15 52-72	Bumper Hood/Dash
9	532 15 64-90	Dash Silkscr PLM E AHM NC Sym
10	872 14 06-08	Bolt Carriage 3/8-16 x 1
11	532 15 59-27	Panel Dash Lh
13	532 15 39-13	Panel Dash Rh
14	817 49 06-08	Screw Thdrol 3/8-16x1/2 Ty-tt
17	532 15 60-51	Hood LT/PL Husqvarna
20	532 15 64-37	Plate Mtg Battery Fuel Tank Fr
23	532 12 40-28	Bushing
25	819 13 13-12	Washer 13/32 X 13/16 X 12 Ga
26	873 80 06-00	Nut Lock Hex W/Ins 3/8-16 Unc
28	532 14 97-76	Grille LT/PL Husqvarna
29	532 14 97-77	Lens LT/PL Husqvarna
30	532 15 64-89	Fender Footrest STLT Pnt
31	532 13 99-76	Bracket Support Fender
37	817 49 05-08	Screw Thdrol 6/16-18 x 1/2 TYT
38	532 13 98-86	Bracket, Asm. Pivot, L.H., Mower Rear
39	532 13 98-87	Bracket, Asm. Pivot, R.H., Mower Rear
51	873 80 04-00	Nut Lock Hex W/Ins 1/4-20
52	819 09 14-16	Washer 9/32 x 7/8 x 16 Ga.
53	532 15 00-67	Bracket Pnt. Pick off LT/PL Husqvarna
57	874 78 04-12	Bolt Hex 1/4-20 x 3/4
58	532 15 11-71	Air Duct Engine P/L
60	872 14 06-06	Bolt Rdhd Sqnk 3/8-16unc x 3/4
64	532 15 47-98	Dash Lower STLT
74	873 68 06-00	Nut Crownlock 3/8-16 UNC
80	532 15 58-54	Latch Hood Plm Husqvarna
109	532 14 14-61	Bracket Extension Bumper
110	532 14 36-79	Plug Plastic
111	872 14 06-12	Bolt RDHD 3/8-16 UNC x 1-1/2
112	819 13 13-16	Washer 13/32 x 13/16 x 16 Ga.
113	532 15 03-00	Bumper Asm.
129	819 09 10-16	Washer 9/32 x 5/8 x 16 Ga.
134	532 15 01-32	Rod Support Hood LT/PL Husq.
140	532 15 05-56	Bracket Chassis Front 7 Ga.
142	532 15 60-95	Plate Reinforcement STLT
143	532 15 49-66	Bracket Swaybar Chassis
144	532 15 42-07	Bracket Pnt Footrest STLT
146	532 15 43-34	Screw Torx Hd Thd 5/16-18 UN-2A

**NOTE:** All component dimensions given in U.S. inches  
1 inch = 25.4 mm

# REPAIR PARTS

TRACTOR - MODEL NUMBER YT180 (954140009A), PRODUCT NO. 954 14 00 09

## DRIVE



# REPAIR PARTS

TRACTOR - MODEL NUMBER YT180 (954140009A), PRODUCT NO. 954 14 00 09

## DRIVE

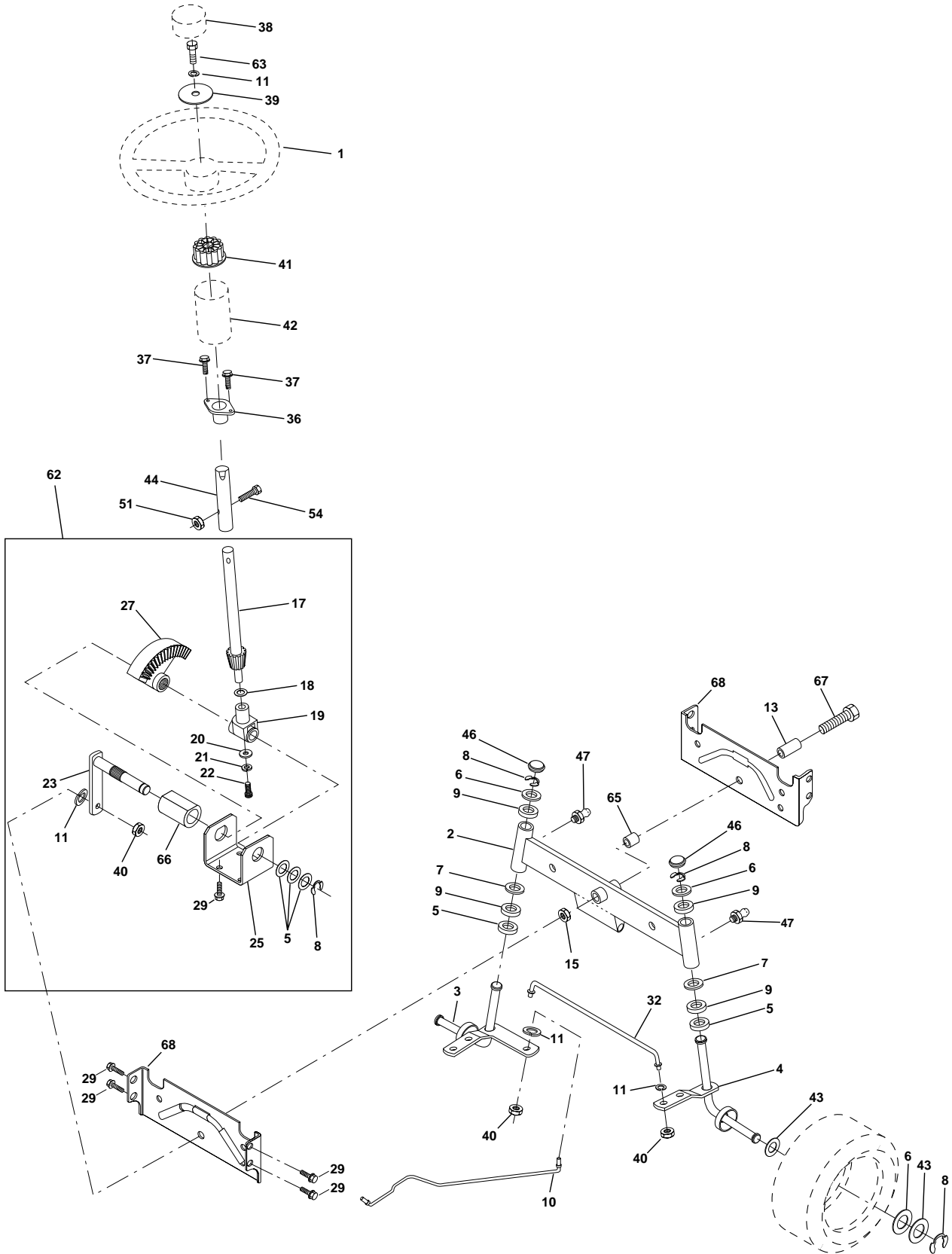
KEY PART NO.	NO.	DESCRIPTION	KEY PART NO.	NO.	DESCRIPTION
1	-----	Transaxle (See Breakdown)	43	819 11 10-12	Washer 11/32 x 5/8 x 12 Ga.
		Peerless 930-055A	47	532 12 77-83	Pulley Idler V Groove Plastic
2	532 14 66-82	Spring Return Brake T/a Zinc	48	532 15 46-04	Bellcrank Asm
3	532 12 36-66	Pulley Transaxle 18" tires	49	532 12 32-05	Retainer Belt Style Spring
4	812 00 00-28	Ring Retainer # 5100-62	50	874 76 06-24	Bolt Hex Hd 3/8-16unc X 1-1/2
5	532 12 15-20	Strap Torque 30 Degrees	51	873 68 06-00	Nut Crownlock 3/8-16 Unc
6	817 49 05-12	Screw Thdrol 5/16-18 X 3/4 TYT	52	873 68 05-00	Nut Crownlock 5/16-18 Unc
8	532 15 47-92	Rod Shifter	53	532 10 57-10	Link Clutch
9	532 13 71-40	Clutch Elect 105 Ft/lb	55	532 10 57-09	Spring Return Clutch 6 75
10	876 02 04-16	Pin Cotter 1/8 X 1 Cad	56	874 76 06-20	Bolt Fin Hx 3/8-16 X 1/4
11	532 10 57-01	Washer Plate Shf 388 Sq Hole	57	532 13 08-01	V-Belt Ground Drive 95 25
13	874 55 04-12	Bolt 1/4-28 Unf Gr 8 W/Patch	58	532 12 72-74	Keeper Belt RH LT Pnt/zinc 16g
14	810 04 04-00	Washer Lock Hvy Helical 1/4	59	532 14 03-12	Keeper Belt Span Ctr
15	874 49 05-44	Bolt Hex 5/16-18 Gr. 5	61	817 49 06-12	Screw Thdrol 3/8-16x3/4 Ty-tt
17	532 12 61-97	Washer 1-1/2 OD x 15/32 ID x .250	62	532 12 35-33	Cover Pedal Deluxe
18	874 78 06-16	Bolt, Fin Hex 3/8-16 UNC x 1 Gr. 5	63	532 14 01-89	Engine Pulley LT/YT
19	873 80 06-00	Nut Lock 3/8-16 Unc	65	810 04 07-00	Washer Lock Hvy Hlcl Spr 7/16
20	532 15 02-80	Bolt Hex 7/16-20 x 4-1/4 5 Ga 1.38	66	532 15 47-78	Keeper Belt Engine Foolproof
21	532 12 12-74	Knob	74	532 13 70-57	Spacer Axle
22	532 13 08-04	Rod Brake Blk Zinc 26 840	75	532 12 17-49	Washer 25/32 X 1 1/4 X 16 Ga
23	532 13 71-41	Bracket Asm Mtg CL	76	812 00 00-01	E-ring #5133-75
24	873 35 06-00	Nut Hex Jam 3/8-16 Unc	77	532 12 35-83	Key Square 2 0 X 1845/ 1865
25	532 10 68-88	Spring Rod Brake 2 00 Zinc	78	532 12 17-48	Washer 25/32 X 1-5/8 X 16 Ga
26	819 13 13-16	Washer 13/32 X 13/16 X 16 Ga	79	532 12 50-96	Key Woodruff #9 3/16 x 3/4
27	876 02 04-12	Pin Cotter 1/8 X 3/4 Cad	80	532 14 50-90	Arm Shift
28	532 14 52-04	Rod Brake Parking LT/YT	81	532 15 60-49	Shaft Asm Cross 20"
29	532 07 16-73	Cap Brake Parking Black	82	532 12 37-82	Spring Torsion T/a
30	532 13 08-07	Bracket Mtg Transaxle	83	819 17 12-16	Washer 17/32 X 3/4 X 16 Ga
31	532 12 72-75	Keeper Belt LH LT 14 Ga	84	532 14 56-43	Rod Tie 20" P930 LT
32	874 76 05-12	Bolt Hex Hd 5/16-18unc X 3/4	85	532 15 03-60	Nut Lock Center 1/4 - 28 FNTHD
33	872 14 05-06	Bolt RDHD SQNK 5/16-18 UNC x 3/4	86	532 07 12-08	Bushing Rod Strg 629/632 Id
34	532 15 50-71	Shaft Asm Pedal Foot	87	819 21 20-16	Washer 21/32 X 1-1/4 X 16 Ga
35	532 12 01-83	Bearing Nylon Blk 629 Id	88	812 00 00-08	Ring Klip #5304-62
36	819 21 16-16	Washer 21/32 X 1 X 16 Ga	89	532 15 48-86	Console Shift STLT
37	532 12 49-63	Pin Roll 3/16 X 1"	90	532 12 43-46	Nut Self-thd Wsh-hd 1/4 Zinc
38	532 12 36-74	Pulley Idler Flat	96	532 12 47-88	Retainer Spring 1" Zinc/Cad
39	874 76 06-44	Bolt Fin Hex 3/8-16unc X 2-3/4	112	819 09 12-10	Washer 9/32 x 3/4 x 10 Ga.
40	532 12 49-65	Spacer Split 395 X 59 Bzp	113	532 12 72-85	Strap Torque LT
41	532 15 47-77	Keeper Belt Retainer Idler Foolproof	118	532 15 47-74	Spacer Bellcrank
42	819 13 13-12	Washer 13/32 X 13/16 X 12 Ga	121	532 15 44-19	Nyliner Clutching STL

**NOTE:** All component dimensions given in U.S. inches  
1 inch = 25.4 mm



# REPAIR PARTS

TRACTOR - MODEL NUMBER YT180 (954140009A), PRODUCT NO. 954 14 00 09  
STEERING ASSEMBLY



# REPAIR PARTS

TRACTOR - MODEL NUMBER YT180 (954140009A), PRODUCT NO. 954 14 00 09

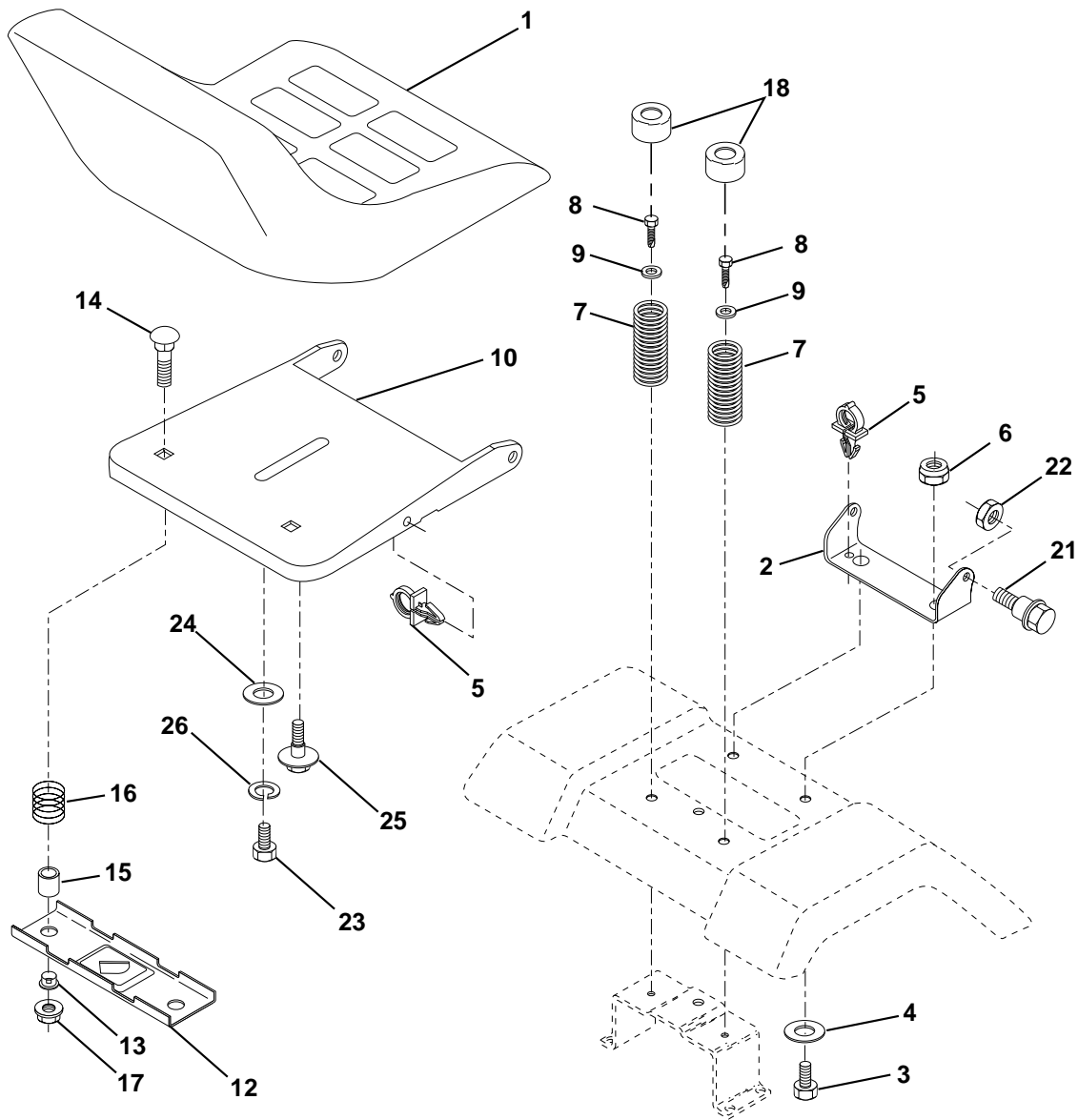
## STEERING ASSEMBLY

KEY NO.	PART NO.	DESCRIPTION
1	532 12 44-15	Wheel Steering
2	532 13 70-94	Axle Front Casting Machine
3	532 15 49-20	Spindle Asm LH Cast
4	532 15 49-21	Spindle Asm RH Cast
5	532 12 49-31	Bearing Race Thrust Harden
6	532 12 17-48	Washer 25/32 X 1-5/8 X 16 Ga
7	819 27 20-16	Washer 27/32 X 1-1/4 X 16 Ga
8	812 00 00-29	Ring Klip #t5304-75
9	532 12 49-37	Bearing Col Strg Blk
10	532 15 44-32	Link Drag Extended Cast
11	810 04 06-00	Washer Lock Hvy Hlcl Spr 3/8
13	532 15 47-79	Bearing Axle STLT/GT
15	873 90 10-00	Nut Lock Flange 5/8-11 Unc
17	532 15 65-46	Shaft Asm Strg
18	532 05 70-79	Washer Thrust 515x 750x 033
19	532 12 40-35	Support Shaft
20	532 12 66-84	Washer Shim 1/4 X 5/8 X 062
21	810 04 04-00	Washer Lock Hvy Helical 1/4
22	871 10 04-10	Screw Cap Sckt Hd Phos & Oil
23	532 12 75-01	Shaft Asm Pittman
25	532 15 44-06	Bracket Steering
27	532 13 68-74	Gear Sector
29	817 49 06-12	Screw Thdrol 3/8-16x3/4 Ty-tt
32	532 13 73-47	Rod Asm Tie Ball J Adj VGT
36	532 15 50-99	Bushing Strg
37	532 15 29-27	Screw
38	532 12 44-16	Insert Cap Strg Wh Au
39	819 13 38-08	Washer 13/32 X 2-3/8 X 8 Ga
40	532 12 47-01	Lock nut
41	532 10 07-11	Adaptor Wheel Strg
42	532 15 50-92	Boot Steering Shaft
43	532 12 17-49	Washer 25/32 X 1 1/4 X 16 Ga
44	532 15 37-20	Extension Steering Shaft LR/LT
46	532 12 12-32	Cap Spindle Fr Top Blk
47	532 12 48-36	Fitting Grease
51	873 80 05-00	Nut Lock Hex w/Ins 5/16-18
54	874 78 05-20	Bolt Fin Hex 5/16-18 Unc x 1-1/4
62	532 15 65-94	Kit, Steering Assembly Svc
63	874 78 06-16	Bolt Fin Hex 3/8-16unc x 1 Gr. 5
65	532 15 47-80	Spacer Axle
66	532 15 44-04	Bearing Arm Pittman
67	874 78 10-44	Bolt, Fin Hex 5/8-11 UNC x 2-3/4
68	532 15 44-29	Axle, Brace

**NOTE:** All component dimensions given in U.S. inches.  
1 inch = 25.4 mm.

# REPAIR PARTS

TRACTOR - MODEL NUMBER YT180 (954140009A), PRODUCT NO. 954 14 00 09  
SEAT ASSEMBLY



## KEY PART NO. NO.

## DESCRIPTION

1	532 14 08-40	Seat
2	532 14 05-51	Bracket Pivot Seat 8 720
3	874 76 06-16	Bolt Fin Hex 3/8-16unc X 1
4	819 13 16-10	Washer 13/32 X 1 X 10 Ga
5	532 14 50-06	Clip Push-In
6	873 80 06-00	Nut Hex w/Ins. 3/8-16 Unc
7	532 12 41-81	Spring Seat Cprsn 2 250 Blk Zi
8	817 49 06-16	Screw Thdrol 3/8-16 X 1 Ty-tt
9	819 13 16-14	Washer 13/32 X 1 X 14 Ga.
10	532 15 59-25	Pan Seat
12	532 12 12-46	Bracket Mounting Switch
13	532 12 12-48	Bushing Snap Blk Nyl 50 Id
14	872 05 04-11	Bolt Rdhd Sqnk 1/4-20x1-3/8

## KEY PART NO. NO.

## DESCRIPTION

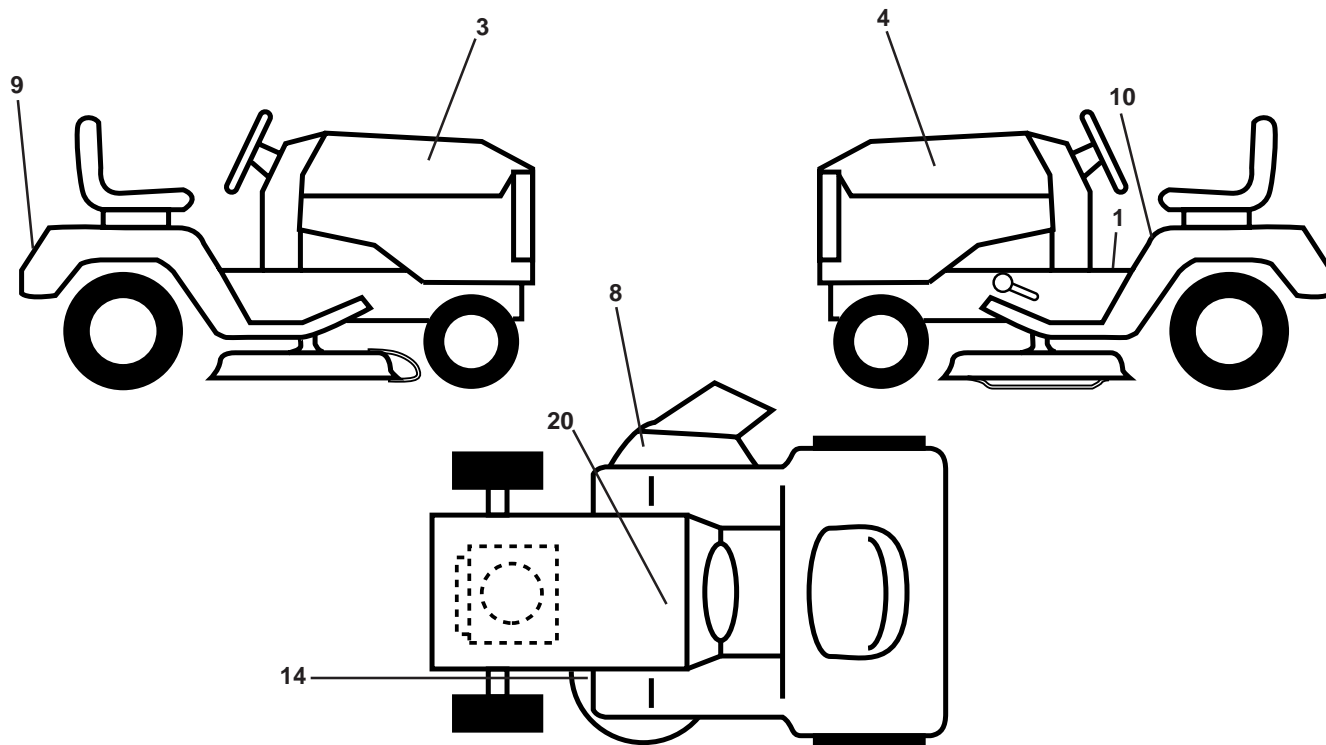
15	532 12 12-49	Spacer Split
16	532 12 37-40	Spring Cprsn
17	532 12 39-76	Nut Lock 1/4 Lge Flg Gr 5 Zinc
18	532 12 42-38	Cap Spring Seat
21	532 15 32-36	Bolt Shoulder 5/16-18 Unc
22	873 80 05-00	Nut Hex Lock W/Ins 5/16-18
23	874 78 08-14	Bolt, Hex Head, Fin 1/2-13 x 7/8 Grade 5
24	819 17 19-12	Washer 17/32 X 1-3/16 X 12 Ga.
25	532 12 70-18	Bolt Shoulder 5/16-18 X 62
26	810 04 08-00	Washer Lock

**NOTE:** All component dimensions given in U.S. inches.  
1 inch = 25.4 mm

# REPAIR PARTS

TRACTOR - MODEL NUMBER YT180 (954140009A), PRODUCT NO. 954 14 00 09

## DECALS



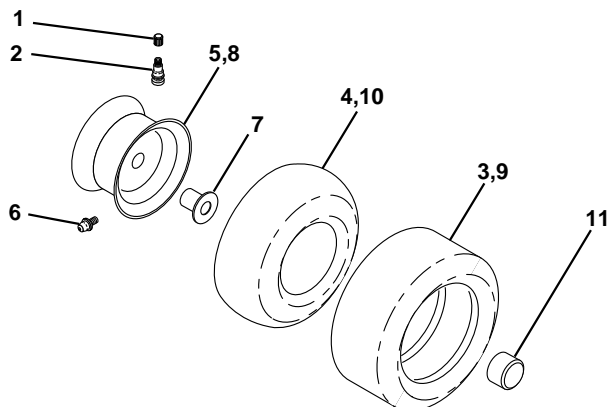
KEY NO.	PART NO.	DESCRIPTION
1	532 15 63-69	Decal Fend Stlt Oper Inst E/F
3	532 15 13-19	Decal Hood LH
4	532 15 13-18	Decal Hood RH
8	532 13 72-59	Decal Warning Multi-Lang
9	532 15 06-17	Decal Fender Husq
10	532 15 71-40	Decal Fender Danger E/F
14	532 13 93-46	Decal V-Belt Schematic
20	532 14 64-51	Decal Bat Dan/Psn
--	532 15 45-15	Pad Footrest LH STLT
--	532 15 45-16	Pad Footrest RH STLT

KEY NO.	PART NO.	DESCRIPTION
--	532 13 83-11	Decal Handle Lft Height Adjust
--	532 15 72-38	Manual Owner's (English)
--	532 15 72-39	Manual Owner's (French)

Available accessories not included with tractor:

--	LSB42	42" Snow Blower
--	CL46	3 Bin Bagger
--	LC05	Wheel Wts. (Pair)
--	LBD48	48" Snow Blade

## WHEELS & TIRES



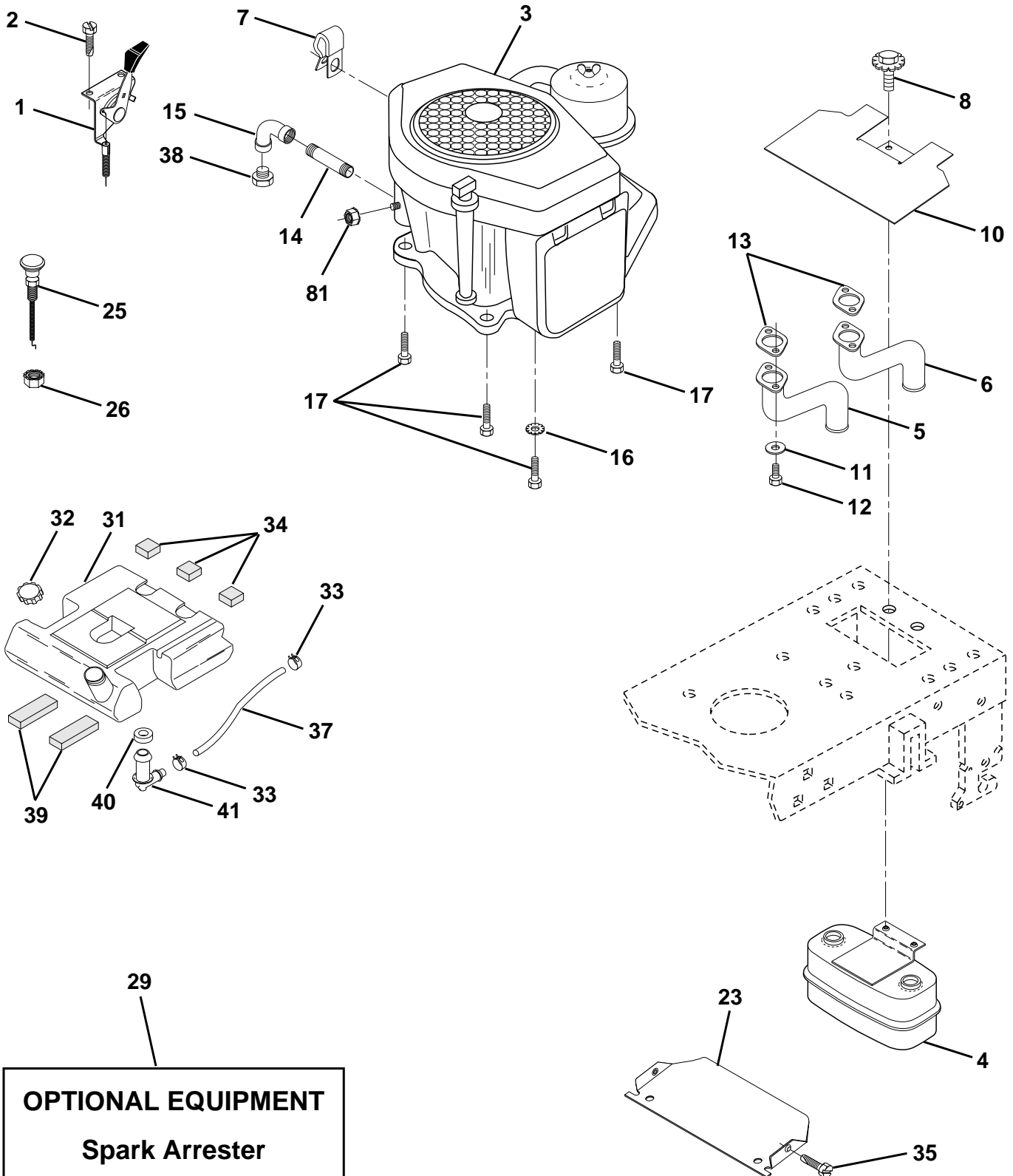
KEY NO.	PART NO.	DESCRIPTION
1	532 05 91-92	Cap Valve Tire
2	532 06 51-39	Stem Valve
3	532 10 62-22	Tire F Ts 15 X 6 0 - 6 Service
4	532 05 99-04	Tube Front (Service Item Only)
5	532 13 83-36	Rim Asm 6"front Silver Service
6	532 12 49-57	Fitting Grease (Front Wheel Only)
7	532 12 49-59	Bearing Flange (Front Wheel Only)
8	532 13 83-37	Rim Asm 8"rear Silver Service
9	532 12 20-82	Tire R Ts 20 x 10-8 C Service
10	532 12 49-26	Tube Rear (Service Item Only)
11	532 10 47-57	Cap Axle Blk 1 50 X 1 00
--	532 14 43-34	Sealant, Tire ( 10 oz. Tube)

**NOTE:** All component dimensions given in U.S. inches  
1 inch = 25.4 mm

# REPAIR PARTS

TRACTOR - MODEL NUMBER YT180 (954140009A), PRODUCT NO. 954 14 00 09

## ENGINE



# REPAIR PARTS

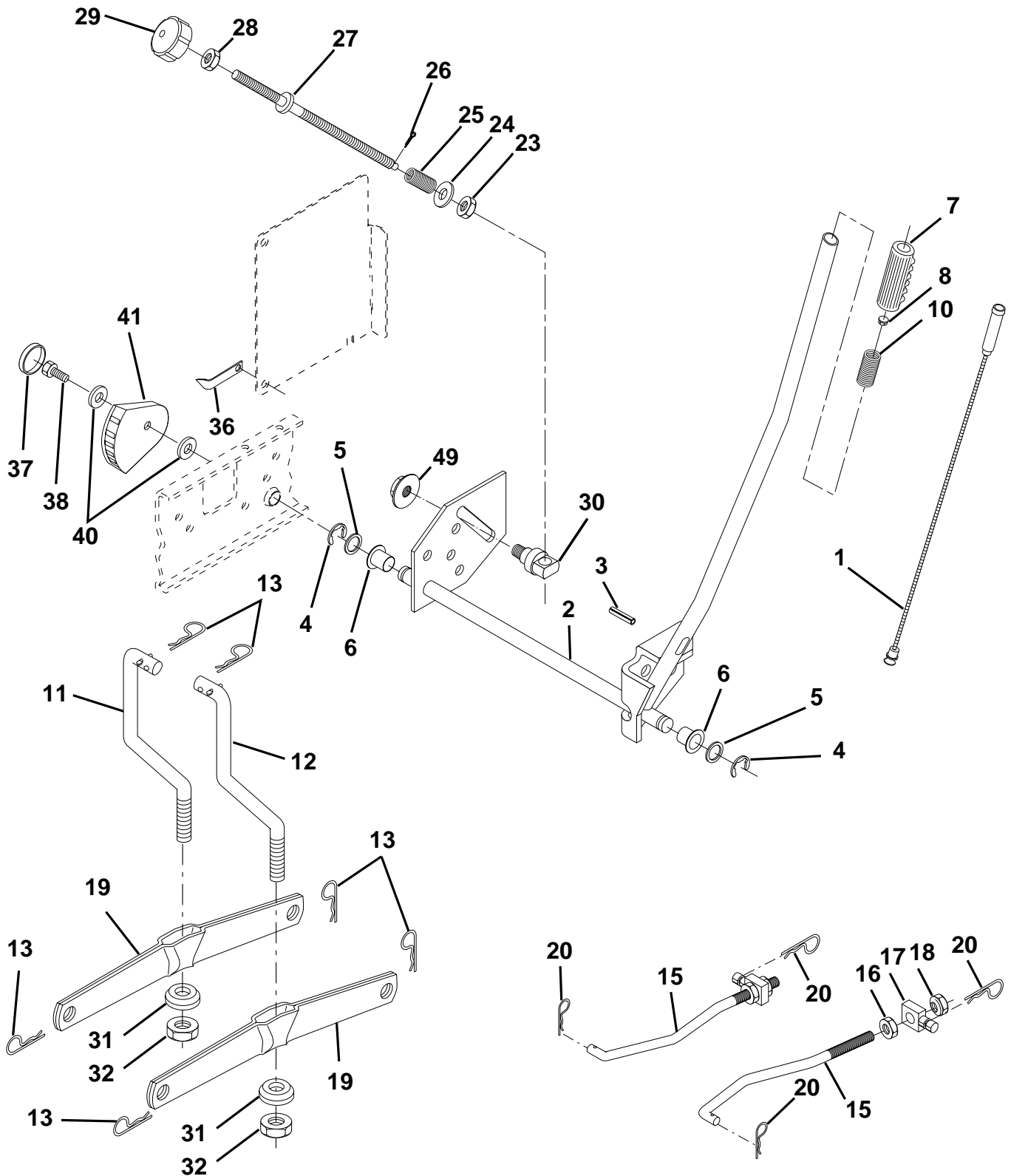
TRACTOR - MODEL NUMBER YT180 (954140009A), PRODUCT NO. 954 14 00 09  
ENGINE

KEY NO.	PART NO.	DESCRIPTION
1	532 15 52-74	Control Throt Flg 180 LH 47.35
2	817 72 04-10	Screw Hex Thd Cut 1/4-20x5/8 T
3	-----	Engine, Kohler, CV18S
4	532 14 97-23	Muffler Asm Twin Lo-Tone
5	532 14 66-99	Pipe Exhaust CV18/20 LH
6	532 14 67-00	Pipe Exhaust CV18/20 RH
7	532 12 49-96	Clip, Fuel Line
8	532 15 01-76	Bolt 5/16-18unc x 3/4 W/Sems
10	532 14 66-29	Shield Heat Muffler CV18/20
11	-----	Washer Lock Hvy Hlcl 1/4 (Order from Engine Manufacturer)
12	-----	Bolt, Fin Hex 1/4-20 x 3/4 (Order from Engine Manufacturer)
13	-----	Muffler Gasket (Order from Engine Manufacturer)
14	813 28 03-36	Nipple Pipe 3/8 Npt X 4-1/2"
15	813 20 03-00	Elbow Std 90 Degree 3/8-18 Npt
16	811 05 06-00	Washer Lock Ext Tooth 3/8
17	817 49 06-24	Screw Thdrol 3/8-16 x 1-1/2
23	532 15 61-23	Shield Browning
25	532 14 59-96	Choke Control 37"
26	873 92 06-00	Nut, Keps 3/8-24 Unf
29	532 13 71-80	Kit Spark Arrestor (Flat Scrn)
31	532 15 36-30	Tank Fuel 3 50 STLT W/O Sensor
32	532 14 05-27	Cap Asm Fuel Top N/Lany Vented
33	532 12 34-87	Clamp Hose Blk
35	817 49 05-12	Screw Thdrol 5/16-18 x 3/4
34	532 10 60-82	Pad, Spacer
37	532 12 49-23	Line Fuel 7.5
38	-----	Plug Oil Drain (Order From Engine Manufacturer)
39	532 10 92-27	Pad, Idler
40	532 12 49-52	Bushing
41	532 13 92-77	Stem Tank Fuel
81	532 12 88-61	Nut Flange 1/4-20 Starter Nut

**NOTE:** All component dimensions given in U.S. inches.  
1 inch = 25.4 mm

# REPAIR PARTS

TRACTOR - MODEL NUMBER YT180 (954140009A), PRODUCT NO. 954 14 00 09  
MOWER LIFT



# REPAIR PARTS

TRACTOR - MODEL NUMBER YT180 (954140009A), PRODUCT NO. 954 14 00 09

## MOWER LIFT

KEY NO.	PART NO.	DESCRIPTION
1	532 13 69-73	Wire Asm Inner W/plunger 17.32
2	532 14 51-17	Shaft Asm Lift RH w/Inf
3	532 10 57-67	Pin Groove 1 500 Zinc
4	812 00 00-02	E Ring #5133-62
5	819 21 16-21	Washer 21/32 X 1 X 21 Ga
6	532 12 01-83	Bearing Nylon Blk 629 Id
7	532 12 56-31	Grip Handle Fluted Blk
8	532 12 45-26	Button Plunger Black
10	532 12 25-12	Spring Cprsn 3 750 Oiled
11	532 13 98-65	Link Lift LH Fixed Length
12	532 13 98-66	Link Lift RH Fixed Length
13	532 12 46-70	Retainer Spring
15	532 12 72-18	Link Front
16	873 35 08-00	Nut Jam Hex 1/2-13 Unc
17	532 13 01-71	Trunnion Blk Zinc
18	873 80 08-00	Nut Lock W/wsh 1/2-13unc
19	532 13 98-68	Arm Suspension Rear
20	532 12 46-60	Retainer Spring
23	532 11 08-07	Nut Special
24	819 13 10-16	Washer 13/32 X 5/8 X 16 Ga
25	532 12 48-74	Spring 2-1/8"
26	876 02 03-08	Pin Cotter 3/32 X 1/2
27	532 12 69-71	Rod Adj Lift Zinc 7.49 Wrk Lg
28	873 35 06-00	Nut Hex Jam 3/8-16 Unc
29	532 13 80-57	Knob Inf 3/8-16 Unc Blk W/sym
30	532 15 02-33	Trunnion Infin Height
31	532 14 03-02	Bearing Pvt Lift Spherical
32	873 54 06-00	Nut Crownlock 3/8 - 24
36	532 15 50-97	Pointer Height Indicator
37	532 12 39-35	Plug Hole Blk 1.485/1.515 Dia.
38	817 49 05-12	Screw Thdrol 5/16-18 x 3/4
40	819 11 24-10	Washer 11/32 x 1-1/2 10 Ga.
41	532 15 50-98	Ind. Height STLT
49	532 14 52-12	Nut Hex Flange Lock

**NOTE:** All component dimensions given in U.S. inches  
1 inch = 25.4 mm





# REPAIR PARTS

TRACTOR - MODEL NUMBER YT180 (954140009A), PRODUCT NO. 954 14 00 09

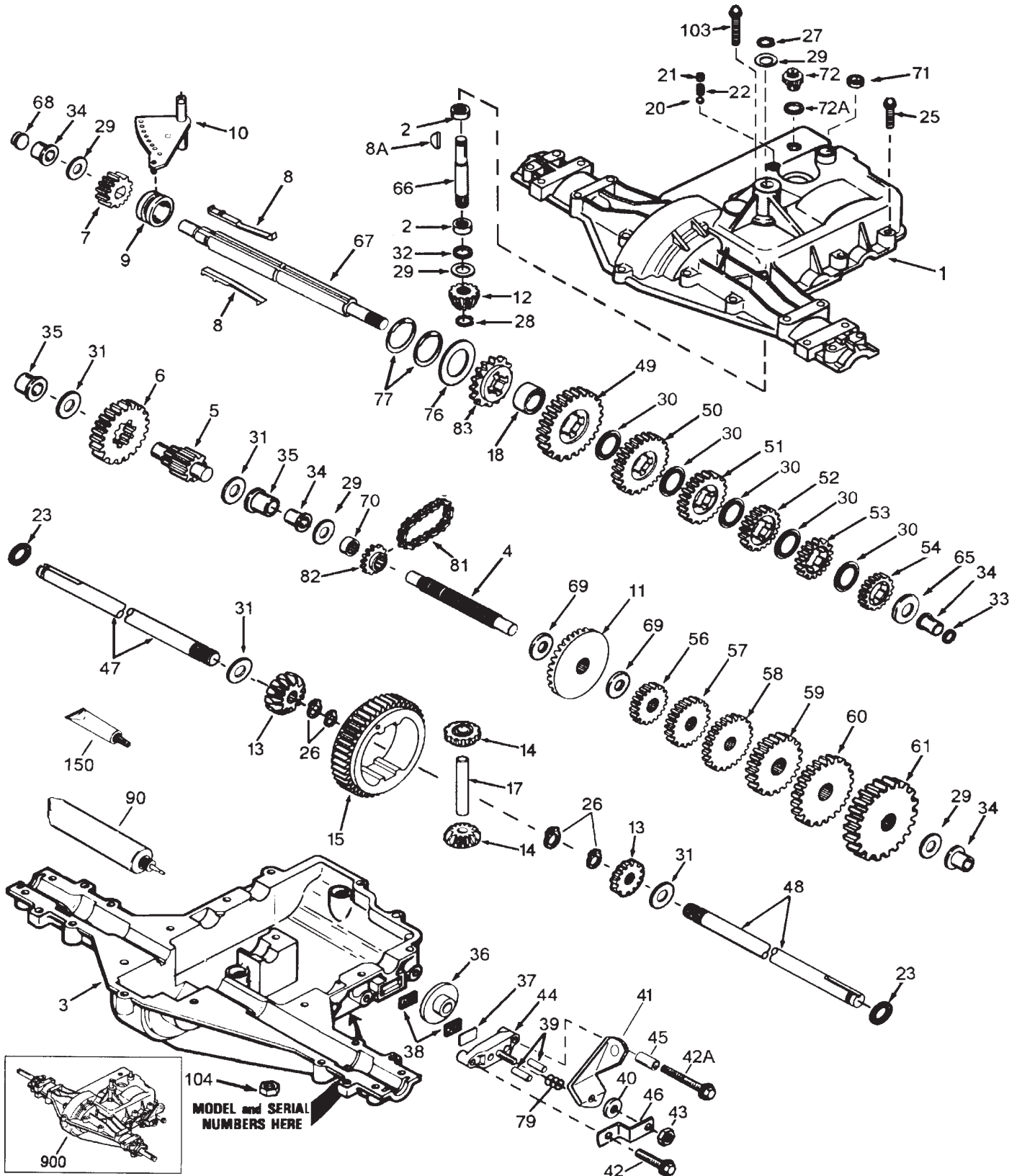
## MOWER DECK

KEY NO.	PART NO.	DESCRIPTION	KEY NO.	PART NO.	DESCRIPTION
1	532 15 31-25	Deck Asm., Mower 46"	42	532 12 20-52	Spacer, Retainer
3	532 13 84-57	Bracket Asm., Sway Bar	43	532 14 49-49	Arm, Idler Secondary
5	532 12 46-70	Retainer Spring	44	532 13 39-43	Washer, Hardened
6	532 13 08-32	Arm, Suspension, Rear (Sway Bar)	45	532 14 50-59	Cover, Mandrel Deck
8	532 85 08-57	Bolt, Patched 3/8-24 x 1-1/4 Gr. 8	46	532 13 77-29	Screw, Thdroll. 1/4-20 x 5/8
9	810 03 06-00	Washer, Lock Hvy., Unplated 3/8	47	532 14 49-59	V-Belt, Mower, Secondary
10	532 14 02-96	Washer, Hard Blade, Mower Vented	48	532 14 87-63	V-Belt, Mower, Primary
11	532 15 24-43	Blade, 46" Mower Deck	49	873 68 06-00	Nut, Crownlock 3/8-16 UNC
12	532 12 98-95	Bearing, Ball, Mandrel #6204	50	872 11 06-12	Bolt, Carriage 3/8-16 x 1-1/2 Gr. 5
13	532 13 75-53	Shaft Asm. w/Lower Bearing (Includes Key No. 12)	51	532 15 33-90	Washer, Felt
14	532 13 71-52	Housing, Mandrel	52	532 15 51-91	Pulley Idler Flat 46 Pri Drive
15	532 11 04-85	Bearing, Ball, Mandrel	90	874 76 06-16	Bolt, Fin, Hex 3/8-16 UNC x 1
16	532 14 03-29	Stripper, Mower Round	91	532 13 22-74	Bracket, Asm Noseroller, LH
18	872 14 05-05	Bolt, Carriage 5/16-18 x 5/8	92	873 80 06-00	Nut, Lock, Hex w/lns 3/8-16UNC
19	532 13 28-27	Bolt, Hex Head, Shoulder 5/16-18	93	819 17 14-16	Washer 17/32 x 7/8 x 16 Ga.
20	532 14 50-55	Baffle, Vortex Mower 46"	94	532 13 22-64	Roller, Nose 38 & 42
21	873 68 05-00	Nut, Crownlock 5/16-18 UNC	95	532 13 22-73	Bracket, asm Noseroller RH
22	532 13 47-53	Stiffener, Bracket	101	532 14 55-79	Cover, Mulching
23	532 13 12-67	Bracket, Deflector	102	871 16 10-10	Screw
24	532 10 53-04	Cap, Sleeve	103	810 07 10-00	Washer, Lock #10
25	532 12 37-13	Spring, Torsion, Deflector	104	819 06 12-16	Washer
26	532 11 04-52	Nut, Push	105	532 13 07-58	Latch Asm. Bagger
27	532 14 53-25	Shield, Deflector Mower	106	532 12 50-04	Nut, Weld
28	819 11 10-16	Washer 11/32 x 5/8 x 16 Ga.	116	532 13 76-44	Bolt, Shoulder
29	532 13 14-91	Rod, Hinge	117	532 13 39-57	Gauge Wheel
30	532 13 87-76	Screw, Hex Head, Thdroll	118	873 93 06-00	Nut, Centerlock 3/8-16 UNC
31	532 12 99-63	Washer, Spacer Mower Vented	119	819 12 14-14	Washer 3/8 x 7/8 x 14 Ga.
32	532 15 35-31	Pulley, Mandrel	126	532 14 49-48	Arm, Idler, Primary Deck 46"
33	532 13 72-66	Nut, Flg. Top Lock Cntr. 9/16	127	532 14 67-63	Pulley, Idler, V-Groove Dim. 4.25
34	532 14 49-45	Anchor, Spring Deck 46"	--	532 14 36-51	Mandrel Assembly ( Includes Key Nos. 8-10, 12-15, 31 and 33)
35	817 49 06-28	Screw, Thdroll 3/8-16 x 1-3/4 Tytt	--	532 14 74-01	Mower Serv 46" (Standard Deck Order nose roller, gauge wheels, and mulching plate components separately Key Nos. 90-95,116-118, 101-106)
36	819 13 13-16	Washer 13/32 x 13/16 x 16 Ga.			
38	532 13 75-54	Keeper, Belt, Idler			
39	532 14 49-17	Pulley, Idler, Driven			
40	532 13 72-73	Spring, Secondary 44/46/50 Vent			
41	817 49 06-20	Screw, Thdroll 3/8-16 x 1-1/4 Tytt			

**NOTE:** All component dimensions given in U.S. inches  
1 inch = 25.4 mm

# REPAIR PARTS

TRACTOR - MODEL NUMBER YT180 (954140009A), PRODUCT NO. 954 14 00 09  
PEERLESS TRANSAXLE - MODEL NUMBER 930-055A



# REPAIR PARTS

TRACTOR - MODEL NUMBER YT180 (954140009A), PRODUCT NO. 954 14 00 09  
 PEERLESS TRANSAXLE - MODEL NUMBER 930-055A

REF PART NO. NO.	DESCRIPTION	REF PART NO. NO.	DESCRIPTION		
1	772108A	43	792075	Cover, Transaxle	Locknut 5/16-24
2	780086	44	790025	Bearing, Needle	Holder, Brake Pad
3	770102A	45	786066	Case, Transaxle	Spacer
4	776260	46	786086	Shaft, Counter	Bracket, Brake Lever
5	776219B	47	774690	Shaft and Pinion Assembly, Output	Axle 11-5/16" long
6	778139	48	774691	Gear, Output	Axle 16-1/2" long
7	778136	49	778215	Gear, Spur, 15 Teeth	Gear, Spur, 37 Teeth, Steel (1 <sup>st</sup> )
8	792136A	50	778125	Key, Shift	Gear, Spur, 35 Teeth (2 <sup>nd</sup> )
8A	792047	51	778124A	Key, Woodruff	Gear, Spur, 30 Teeth (3 <sup>rd</sup> )
9	784352	52	778123A	Collar, Shifter	Gear, Spur, 25 Teeth (4 <sup>th</sup> )
10	784355	53	778122A	Rod and Fork Assembly, Shift	Gear, Spur, 22 Teeth (5 <sup>th</sup> )
11	778229	54	778273	Gear, Bevel, 42 Teeth	Gear, Spur, 19 Teeth, Steel (6 <sup>th</sup> )
12	778113A	56	778230	Bevel Pinion, Input	Gear, Spur, 12 Teeth (1 <sup>st</sup> )
13	778221	57	778151	Gear, Bevel	Gear, Spur, 15 Teeth (2 <sup>nd</sup> )
14	778068	58	778126A	Gear, Bevel Pinion	Gear, Spur, 20 Teeth (3 <sup>rd</sup> )
15	778260	59	778127A	Gear, Ring	Gear, Spur, 25 Teeth (4 <sup>th</sup> )
17	786139	60	778128A	Pin, Drive	Gear, Spur, 28 Teeth (5 <sup>th</sup> )
18	786102	61	778163	Spacer, Neutral	Gear, Spur, 31 Teeth (6 <sup>th</sup> )
20	792077	65	780109	Ball, Steel 5/16" diameter	Washer, Thrust
21	792078	66	776135	Set Screw 3/8-16 x 3/8	Shaft, Input
22	792079	67	776315A	Spring	Shaft, Brake, 4 Keyed
23	788061	68	786116A	Ring, Seal	Plug
25	792073	69	780051	Screw, Flanged Hex Head, Thread Forming 1/4-20 x 1-1/4	Washer, Thrust
26	792125	70	786118	Ring, Retainer (4 Required, Package of 2)	Spacer
27	792035	71	788069	Ring, Retainer	Seal, Square Cut
28	788040	72	792165	Ring, Retainer	Plug, Threaded 9/16-18
29	780072	72A	788091	Washer, Thrust	"O" Ring
30	780108	76	780090	Washer, Thrust	Washer, Thrust
31	780001	77	788078A	Washer, Thrust	Ring, Retaining, Inverted (Package of 2)
32	792001	79	792144	"O" Ring	Spring, Brake
33	788095	81	786081	Seal, Square Cut	Chain, Roller (Number 41 Chain, 24 Links)
34	780105A	82	786082	Bushing, Flanged	Sprocket, 9 Teeth (Reverse)
35	780118A	83	786123	Bushing, Flanged	Sprocket, 18 Teeth (Reverse)
36	790003	90	788067B	Disk, Brake	Grease, Bentonite, 32 Ounce Bottle
37	790007	103	792166	Plate, Brake Pad	Screw 1/4-20 x 2
38	799021	104	792167	Pad, Brake	Locknut 1/4-20
39	786026	150	510334	Pin, Dowel	Gasket Eliminator (Loctite #515)
40	792076A	900	794603	Washer, Flat	Replacement Transaxle
41	790079			Lever, Brake	
42	792073			Screw, Flanged Hex Head, Thread Forming 1/4-20 x 1-1/4	
42A	792085A			Screw 1/4-20 x 2-1/4	

**NOTE:** All component dimensions given in U.S. inches  
 1 inch = 25.4 mm

Parts must be ordered from Tecumseh Products Co.