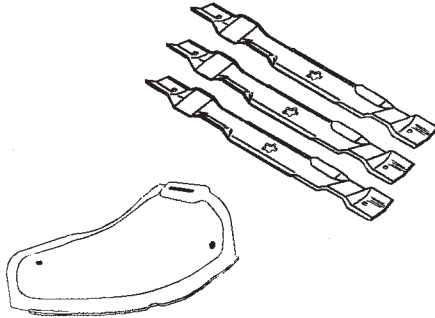


# CONSUMER 48" MULCH KIT

## INSTALLATION INSTRUCTIONS

**Kit Contains:**

- (3) Mulch Blades
- (1) Mulch Cover
- (1) Bag of Parts

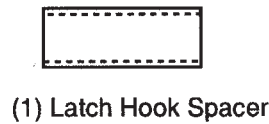
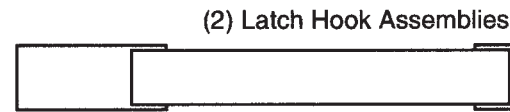
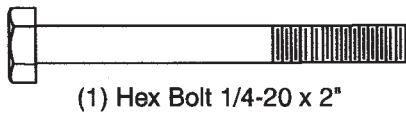
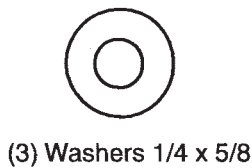
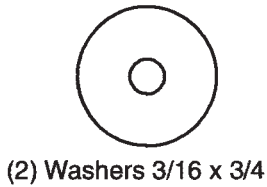
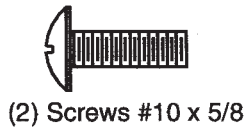


**Tools Required:**

A socket wrench set will make assembly easier. Standard wrench sizes are listed.

- (2) 7/16" wrenches
- (1) 5/8" wrench (Blade Bolt)
- (1) #1 or #2 Phillips Screwdriver (Mulch Cover)

### BAG OF PARTS CONTENTS



**CAUTION: Muffler and other engine parts become extremely hot during operation and remain hot after engine has stopped. To avoid severe burns on contact, stay away from these areas.**

# 1 REPLACE MOWER BLADES (See Fig. 1)



**CAUTION:** Blades are sharp. Protect your hands with gloves and/or wrap blade with heavy cloth.

1. Raise mower to highest position to allow access to blades.
2. Remove blade bolts by turning counterclockwise.
3. Install mulch blades with stamped "THIS SIDE UP" facing up towards mower, or, blades stamped with "GRASS SIDE" facing down towards grass.

**IMPORTANT:** TO ENSURE PROPER ASSEMBLY, CENTER HOLE IN BLADE MUST ALIGN WITH STAR PATTERN ON MANDREL ASSEMBLY.

4. Install and tighten blade bolts securely (45-55 Ft. Lbs. torque).

**IMPORTANT:** SPECIAL BLADE BOLT IS HEAT TREATED.

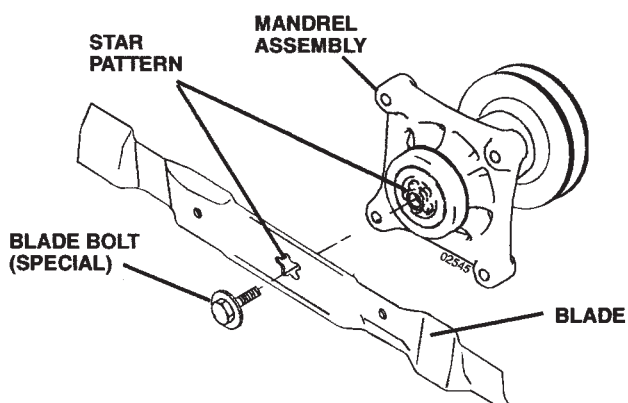


FIG. 1

# 2 ASSEMBLE LATCH HOOK SPACER (See Fig. 2)

1. Install the spacer with the 1/4-20x2" long hex bolt, three (3) washers and lock nut as shown. Tighten hardware securely.
2. Discard mulch baffle and remaining mulch baffle mounting hardware (1/4 hex bolts, washers and lock nuts).

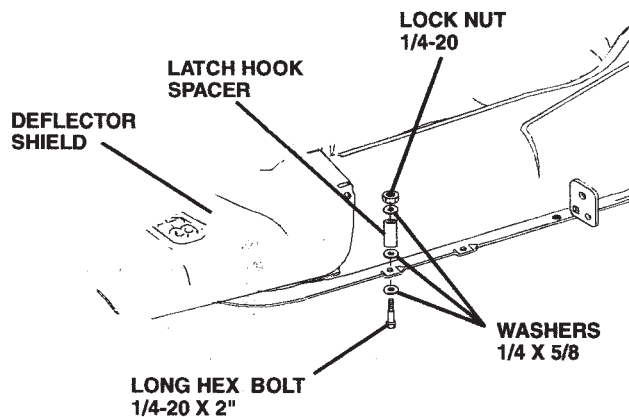


FIG. 2

# 3 ASSEMBLE MULCH COVER (See Fig. 3)

**NOTE:** Pre-assemble weld nut to latch hook by inserting weld nut from the top with hook pointing down.

1. Install the two latch hooks to mulch cover using screw, 3/16 washer, lock washer, and weld nut as shown.
2. Tighten hardware securely.

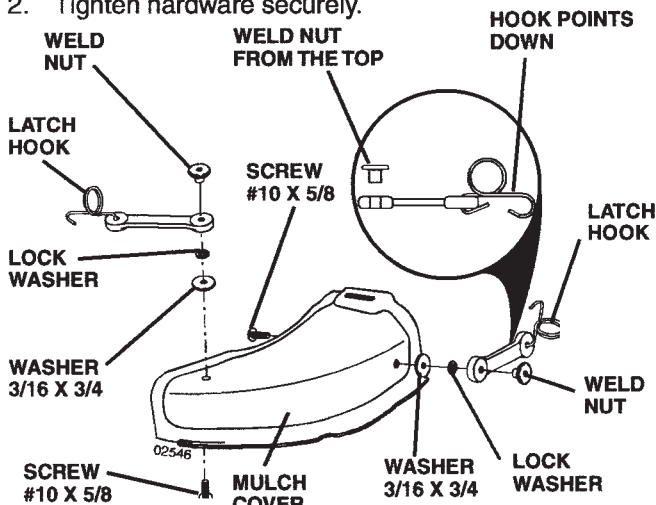


FIG. 3

# 4 INSTALL MULCH COVER (See Fig. 4)

1. Raise and hold deflector shield in upright position.
2. Hook rear latch into hole on back of mower with hook positioned as shown.
3. Place slot in mulch cover over tab on mower and position plate over mower opening as shown.
4. Hook front latch over latch hook spacer on front of mower.
5. Check to be sure mower opening is completely covered by the mulch cover.



**CAUTION:** Do not remove deflector shield from mower. Raise and hold shield when attaching mulch cover and allow it to rest on cover while in operation.

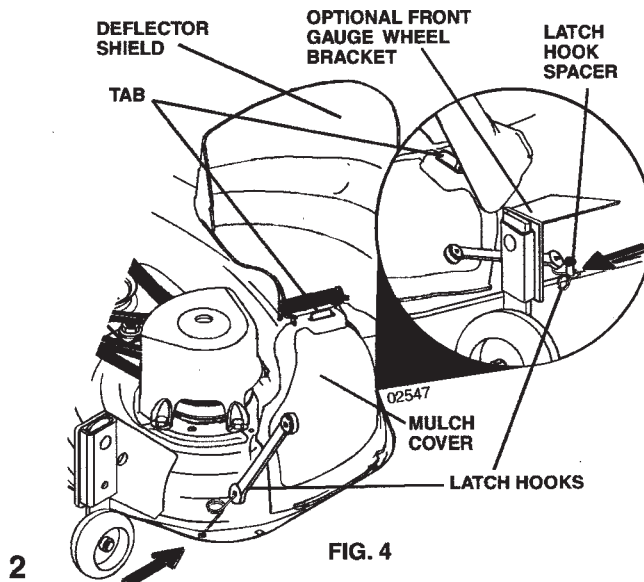


FIG. 4

## TO CONVERT TO BAGGING OR DISCHARGING

For best bagging and discharging install the high lift blades.

1. Remove the mulch cover and mulch blades and install high lift blades.
2. Store mulch cover and mulch blades in a safe place. Your mower is now ready for discharging or installation of optional grass catcher accessory.

## MULCHING MOWING TIPS

**IMPORTANT:** FOR BEST PERFORMANCE, KEEP MOWER HOUSING FREE OF BUILT-UP GRASS AND TRASH. CLEAN AFTER EACH USE.

- The special mulch blades will recut the grass clippings many times and reduce them in size so that as they fall onto the lawn they will disperse into the grass and not be noticed. Also, the mulched grass will biodegrade quickly to provide nutrients for the lawn. Always mulch with your highest engine (blade) speed as this will provide the best recutting action of the blades.
- Avoid cutting your lawn when it is wet. Wet grass tends to form clumps and interferes with the mulching action. The best time to mow your lawn is the early afternoon. At this time the grass has dried and the newly cut area will not be exposed to the direct sun.
- For best results, adjust the mower cutting height so that the mower cuts off only the top one-third of the grass blades. For extremely heavy mulching, reduce your width of cut and mow slowly.
- Certain types of grass and grass conditions may require that an area be mulched a second time to completely hide the clippings. When doing a second cut, mow across or perpendicular to the first cut path.
- Change your cutting pattern from week to week. Mow north to south one week then change to east to west the next week. This will help prevent matting and graining of the lawn.

**FOR FUTURE REFERENCE AND REPAIR PARTS ORDERING, KEEP THIS INSTRUCTION SHEET WITH YOUR TRACTOR'S OWNER'S MANUAL**

## REPAIR PARTS

KEY NO.	PART NO.	DESCRIPTION
1	(539) 110512	Mulch Blade
2	(539) 110513	Mulch Cover
3	(539) 108194	Latch Hook
4	(539) 108089	Weld Nut
5	(539) 108084	Washer 3/16 x 3/4
6	(539) 107360	Washer, Lock #10
7	(539) 976952	Screw #10 x 5/8
10	(539) 101313	Hex Bolt 1/4-20 x 2
11	(539) 976978	Lock Nut 1/4-20
12	(539) 110514	Latch Hook Spacer
13	(539) 065110	Washer 1/4 x 5/8

