

# 323L, 323R (only USA)

Spare parts

Ersatzteile

Pièces détachées

Reserve onderdelen

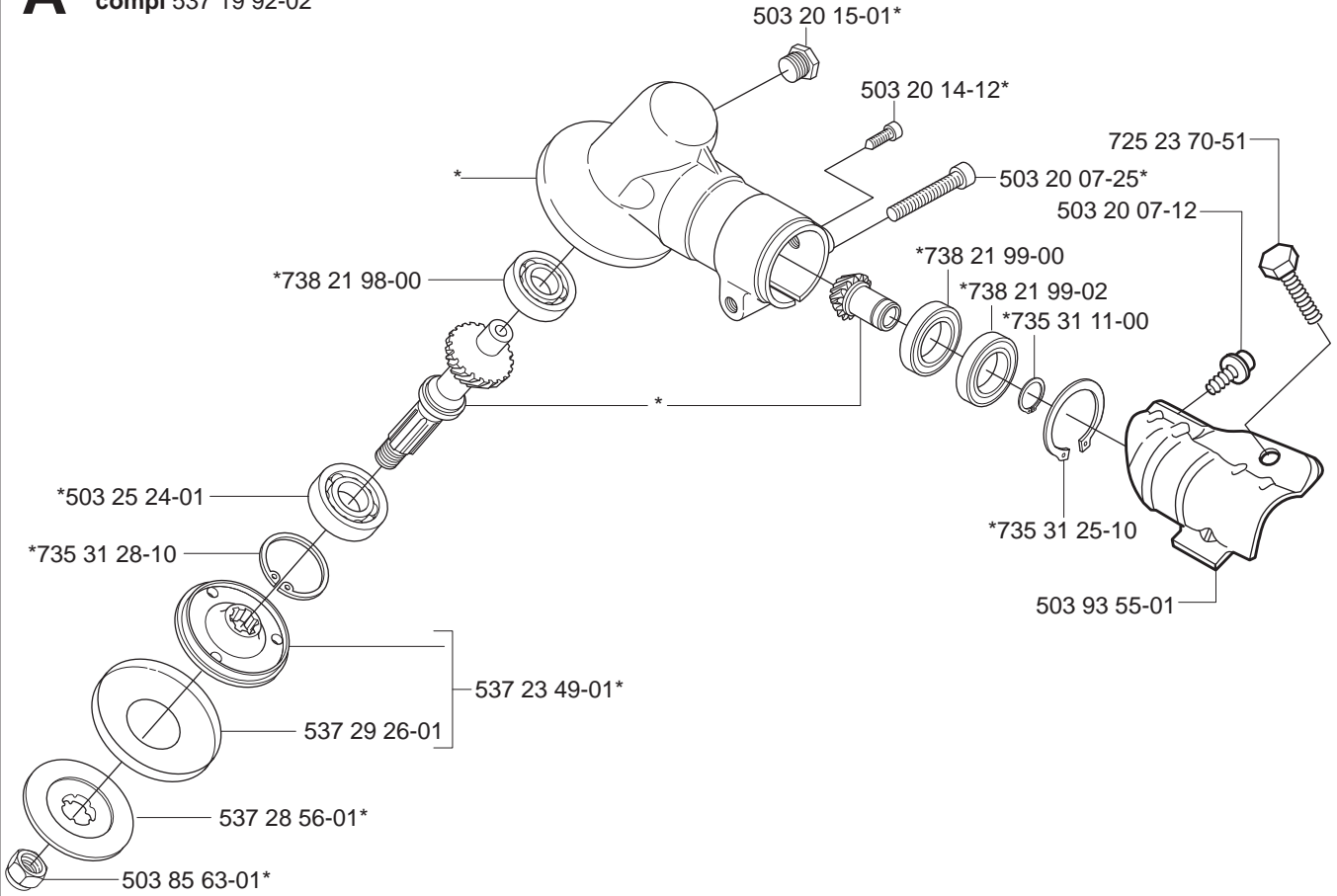
Repuestos

Reservdelar

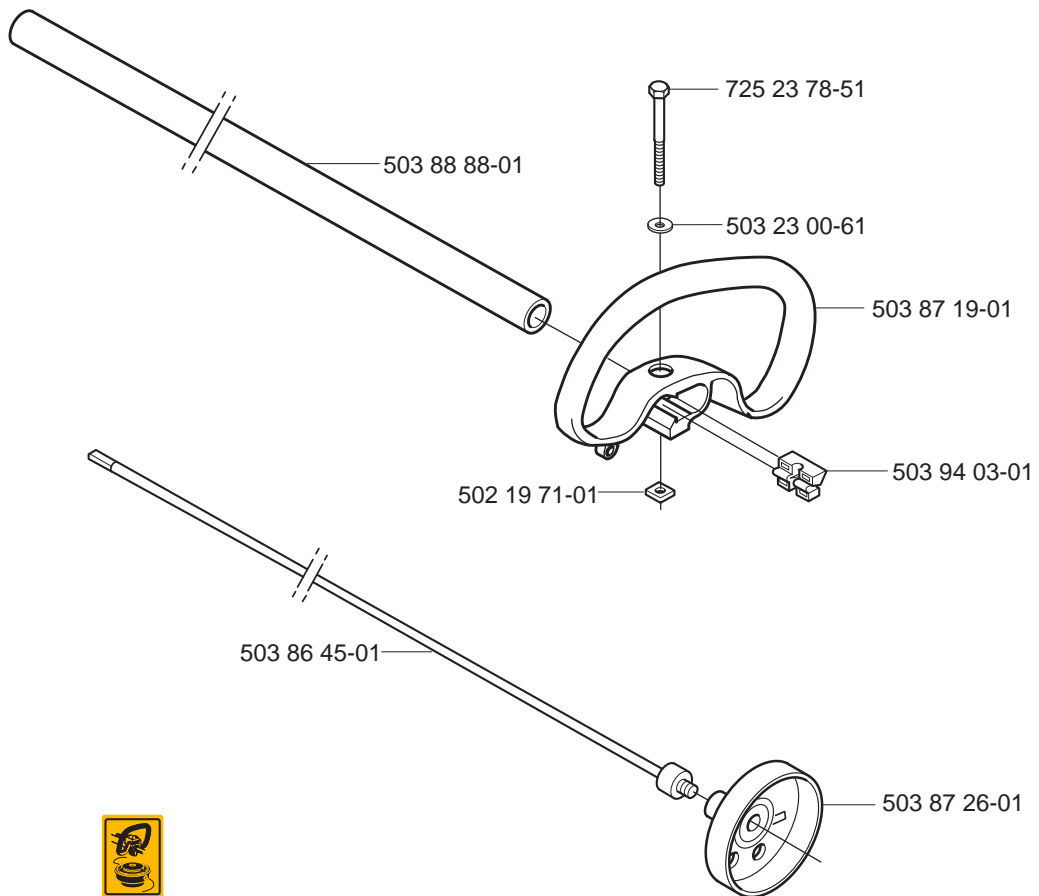
PART NUMBER	SQUARE NOTE	PART NUMBER	SQUARE NOTE	PART NUMBER	SQUARE NOTE	PART NUMBER	SQUARE NOTE
501 60 02-03	Q	503 84 29-02	K	537 04 11-02	M		
501 78 33-01	Q	503 85 24-74	N	537 04 12-03	M		
502 02 28-02	Q	503 85 28-04	H	537 04 24-01	J		
502 11 46-02	Q	503 85 63-01	A	537 04 67-01	K		
502 19 71-01	BC	503 85 87-02	H	537 04 68-01	K		
502 19 95-03	C	503 85 89-01	H	537 04 75-01	P		
502 20 40-01	G	503 86 45-01	BC	537 04 89-01	Q		
502 20 65-03	G	503 87 17-01	L	537 04 90-01	Q		
502 21 12-01	C	503 87 18-02	F	537 05 23-01	J		
502 21 58-01	Q	503 87 19-01	B	537 05 25-01	D		
502 27 22-01	P	503 87 26-01	BCM	537 06 86-01	J		
503 20 03-25	G	503 87 33-02	H	537 07 36-01	M		
503 20 07-12	A	503 87 35-02	H	537 10 44-01	F		
503 20 07-16	C	503 87 36-01	H	537 12 78-01	Q		
503 20 07-25	A	503 87 79-01	D	537 16 02-03	E		
503 20 07-35	E	503 87 80-01	D	537 16 03-01	E		
503 20 14-12	A	503 88 23-01	C	537 16 06-01	E		
503 20 15-01	A	503 88 79-01	G	537 16 07-01	E		
503 20 29-50	L	503 88 80-01	G	537 16 08-01	E		
503 21 07-16	P	503 88 88-01	BC	537 17 39-01	E		
503 21 07-45	C	503 89 03-01	G	537 17 42-01	E		
503 21 35-12	F	503 91 09-01	G	537 17 43-01	E		
503 21 66-16	E	503 91 10-01	J	537 18 49-01	J		
503 21 66-18	DM	503 91 18-02	J	537 18 63-01	G		
503 21 68-16	C	503 91 81-01	D	537 19 92-02	A		
503 21 68-20	FM	503 93 42-02	P	537 21 62-01	Q		
503 21 68-25	M	503 93 55-01	A	537 21 62-02	Q		
503 21 71-16	K	503 93 66-01	J	537 21 63-01	Q		
503 21 75-16	GP	503 94 02-03	N	537 21 63-02	Q		
503 21 75-20	HM	503 94 03-01	B	537 23 49-01	A		
503 21 75-25	C	503 94 10-01	C	537 23 96-01	K		
503 21 75-50	G	503 94 26-01	G	537 24 96-02	K		
503 21 77-16	H	503 96 13-01	DF	537 28 56-01	A		
503 21 83-16	Q	503 96 14-01	D	537 29 26-01	A		
503 22 10-13	E	503 96 25-01	G	537 29 34-01	P		
503 22 65-04	G	503 96 31-01	C	537 29 48-01	BC		
503 23 00-61	B	503 96 49-01	H	537 29 95-01	P		
503 23 51-08	K	503 97 21-01	F	537 30 96-01	M		
503 23 51-11	K	503 97 40-01	Q	537 31 29-01	Q		
503 25 24-01	A	503 97 43-01	Q	537 32 08-01	F		
503 28 34-01	GQ	503 97 64-01	Q	537 35 33-14	F		
503 28 90-43	L	503 97 71-01	P	537 35 33-16	F		
503 44 32-01	J	503 99 55-01	D	537 35 34-04	H		
503 47 89-01	Q	503 99 56-01	D	537 35 34-07	H		
503 47 90-01	Q	531 00 45-52	Q	537 37 03-01	Q		
503 47 92-01	Q	531 00 45-53	Q	537 37 65-04	L		
503 47 96-01	Q	531 00 92-48	Q	537 37 93-01	H		
503 47 97-01	Q	537 00 84-01	H	537 41 42-01	D		
503 48 00-01	Q	537 01 13-01	D	537 41 87-01	K		
503 48 01-01	Q	537 01 25-01	Q	537 41 90-01	DE		
503 48 05-01	Q	537 01 26-01	Q	537 42 44-01	E		
503 48 08-01	Q	537 01 41-01	L	537 42 45-04	E		
503 48 11-01	Q	537 01 96-01	Q	537 44 38-02	D		
503 48 18-01	Q	537 01 97-01	Q	725 23 68-71	P		
503 48 19-01	Q	537 01 98-01	Q	725 23 70-51	A		
503 49 71-01	G	537 01 99-01	Q	725 23 78-51	B		
503 53 57-01	Q	537 02 00-01	Q	725 53 37-55	L		
503 66 59-01	Q	537 02 01-01	Q	731 23 14-01	CG		
503 71 22-01	LN	537 02 02-01	Q	731 71 16-51	HK		
503 72 10-03	C	537 02 03-01	Q	735 31 08-20	H		
503 72 43-03	C	537 02 04-01	Q	735 31 11-00	A		
503 73 40-01	Q	537 02 06-01	Q	735 31 25-10	A		
503 73 41-02	Q	537 02 07-01	Q	735 31 28-10	A		
503 73 58-01	J	537 02 08-01	Q	737 44 08-00	L		
503 75 53-01	Q	537 02 09-01	Q	738 21 98-00	A		
503 79 56-01	B	537 02 10-01	Q	738 21 99-00	A		
503 79 88-01	P	537 02 16-01	Q	738 21 99-02	A		
503 80 45-01	C	537 03 20-08	L	740 42 06-00	D		
503 81 60-01	K	537 03 22-01	K				
503 84 28-01	K	537 03 94-05	L				

Set of gaskets, Dichtungssatz,  
Jeu de joints, Juego de juntas,  
Packningssats

**A** 323L, 323R  
\*compl 537 19 92-02



**B** 323L

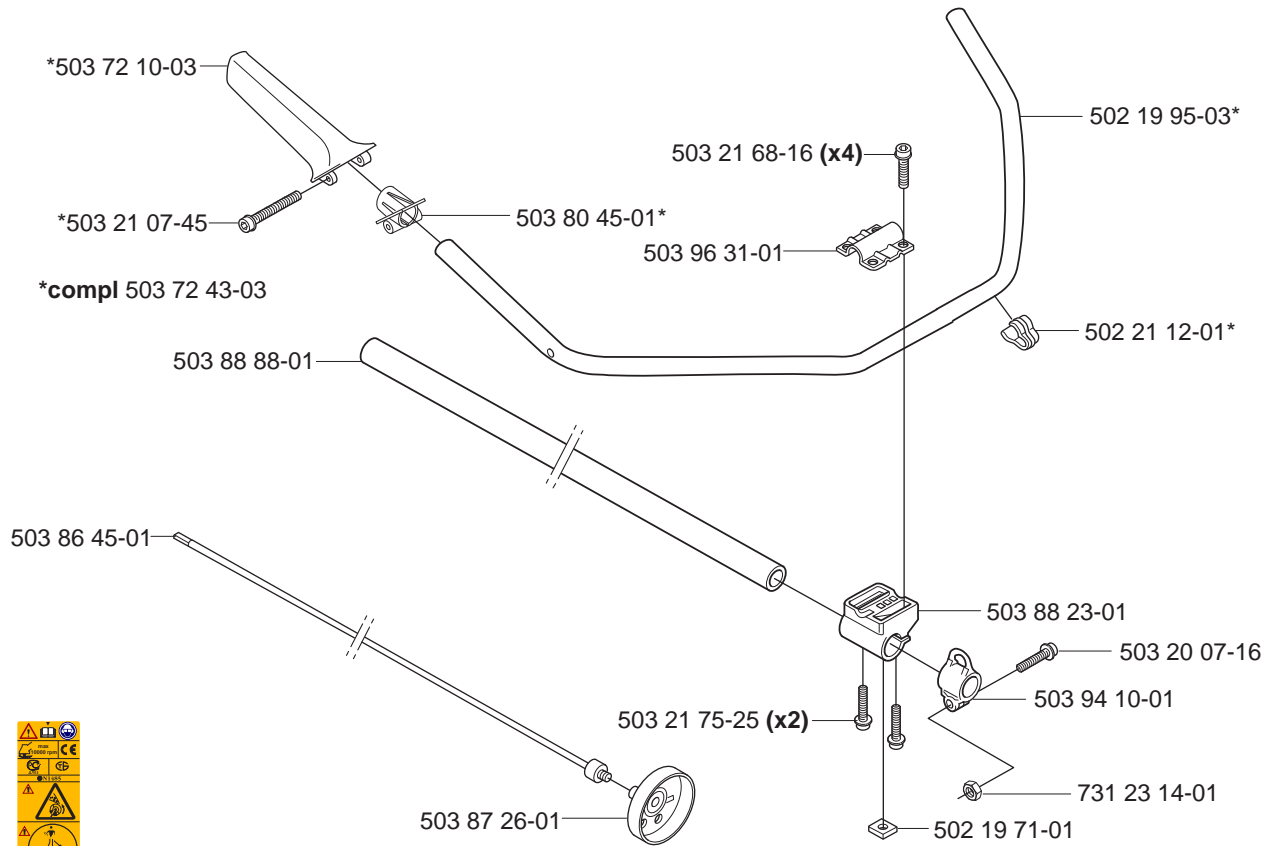


537 29 48-01



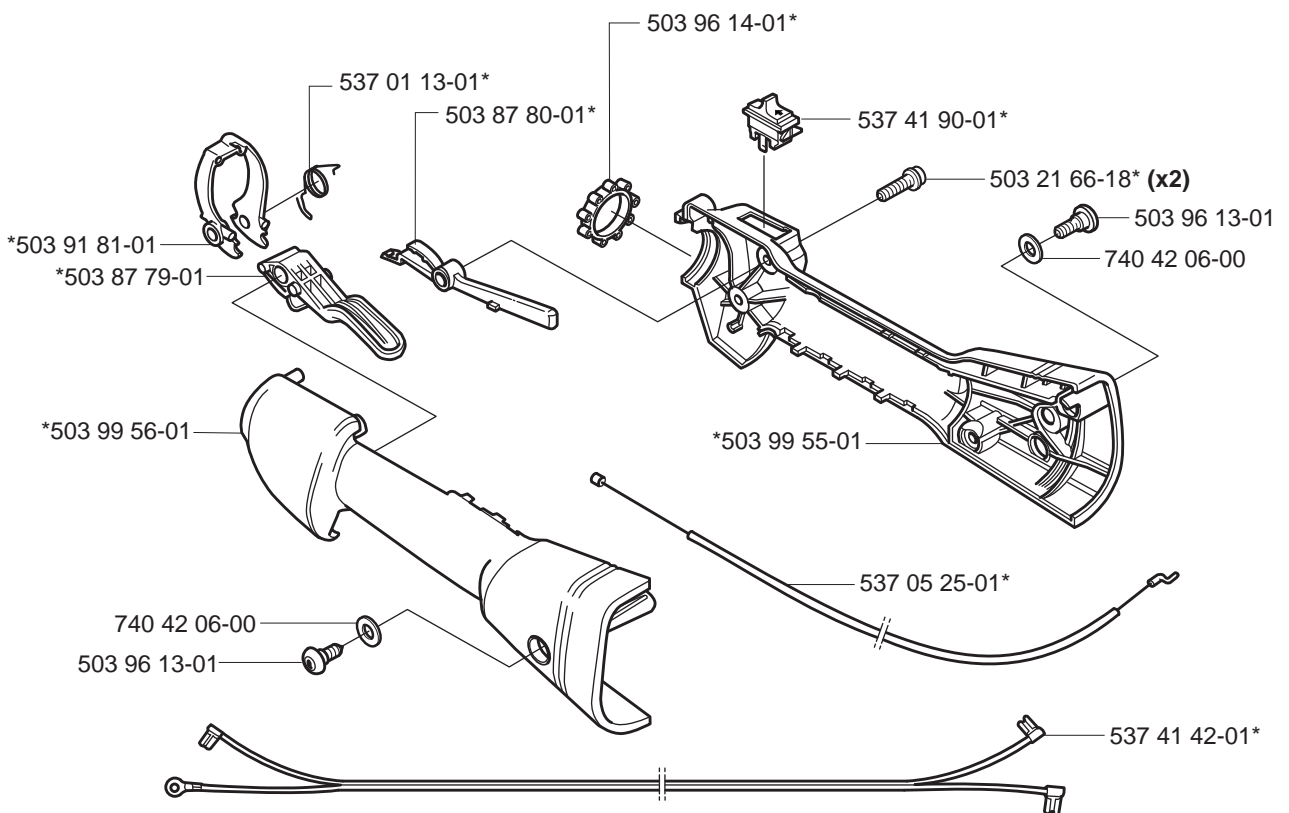
503 79 56-01

**C** 323R

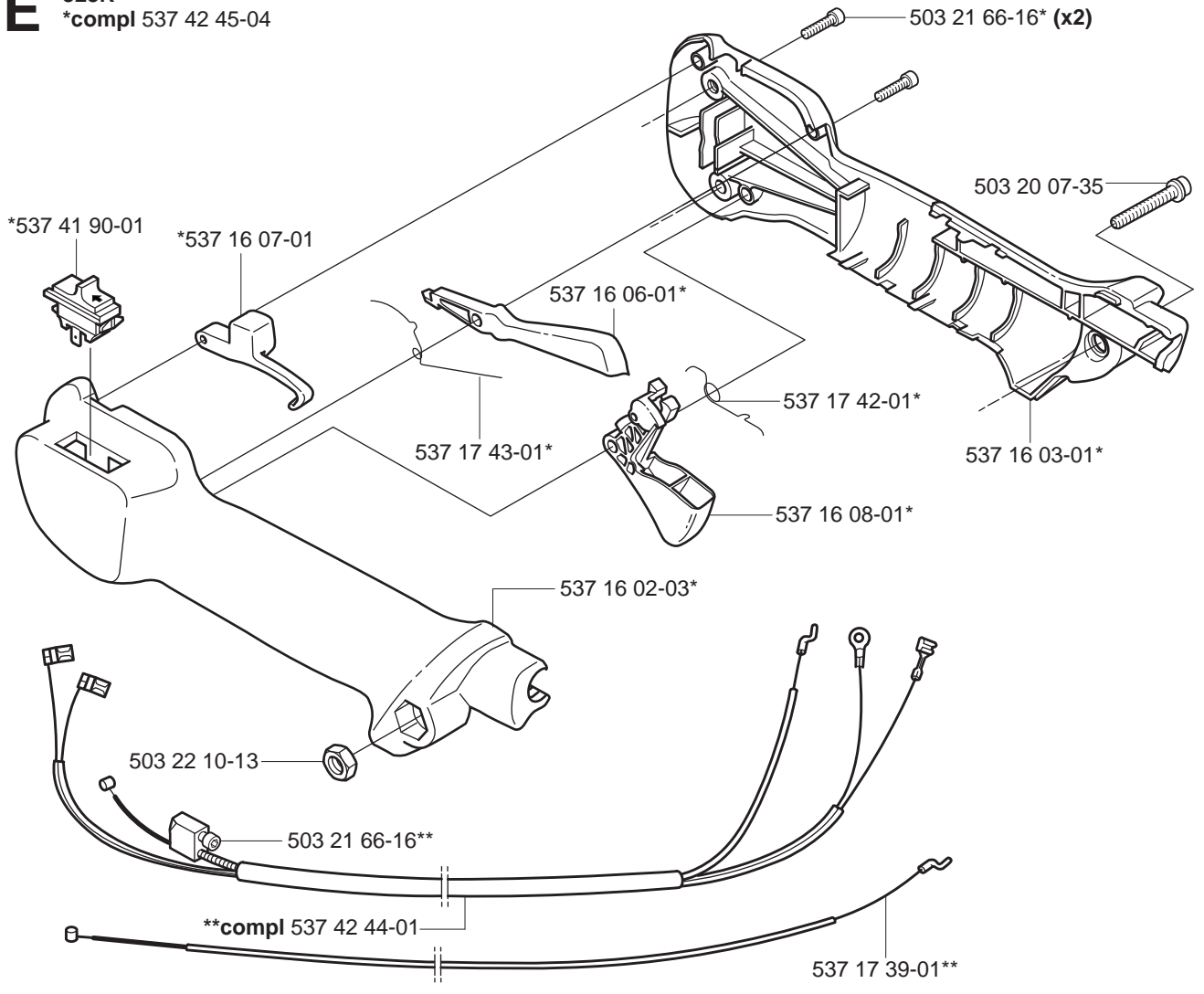


537 29 48-01

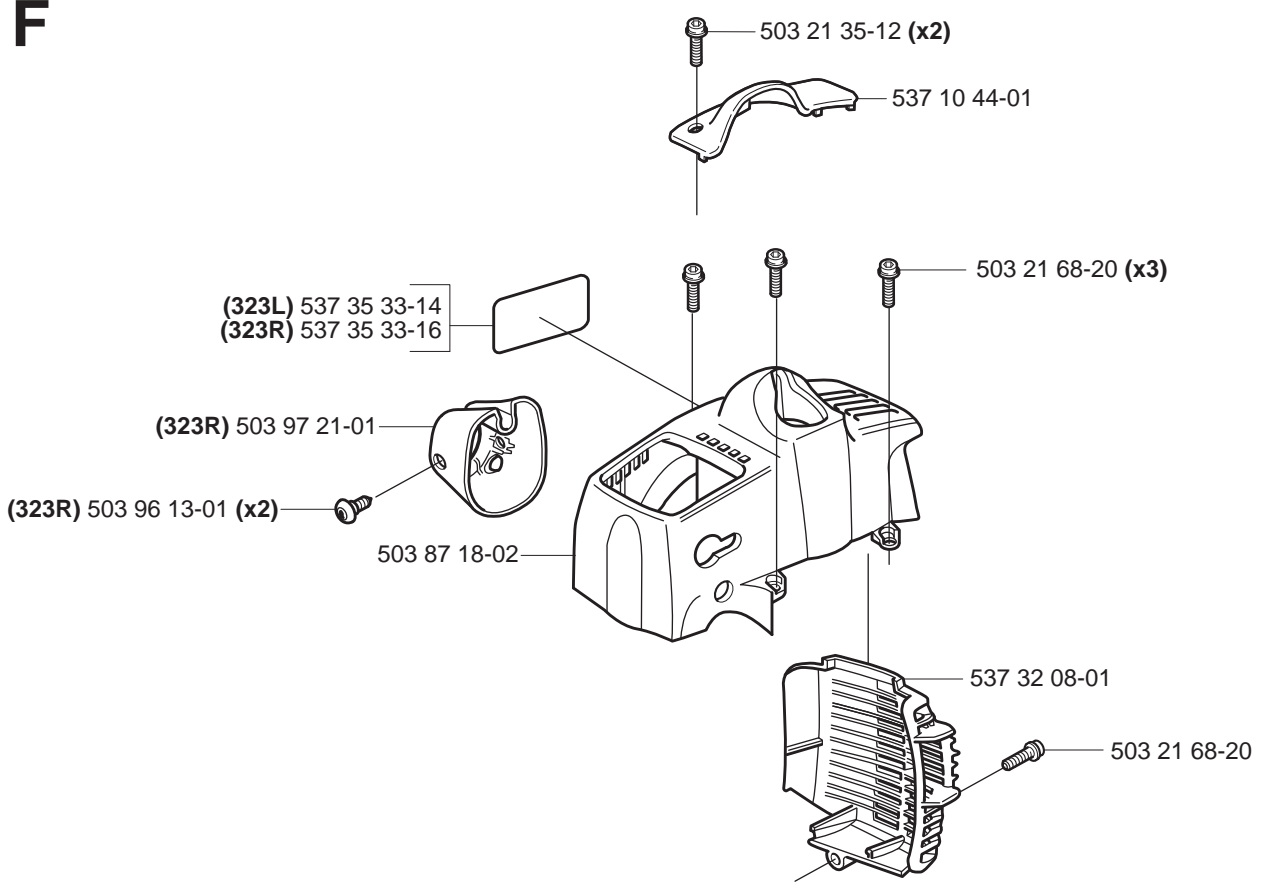
**D** 323L  
\*compl 537 44 38-02

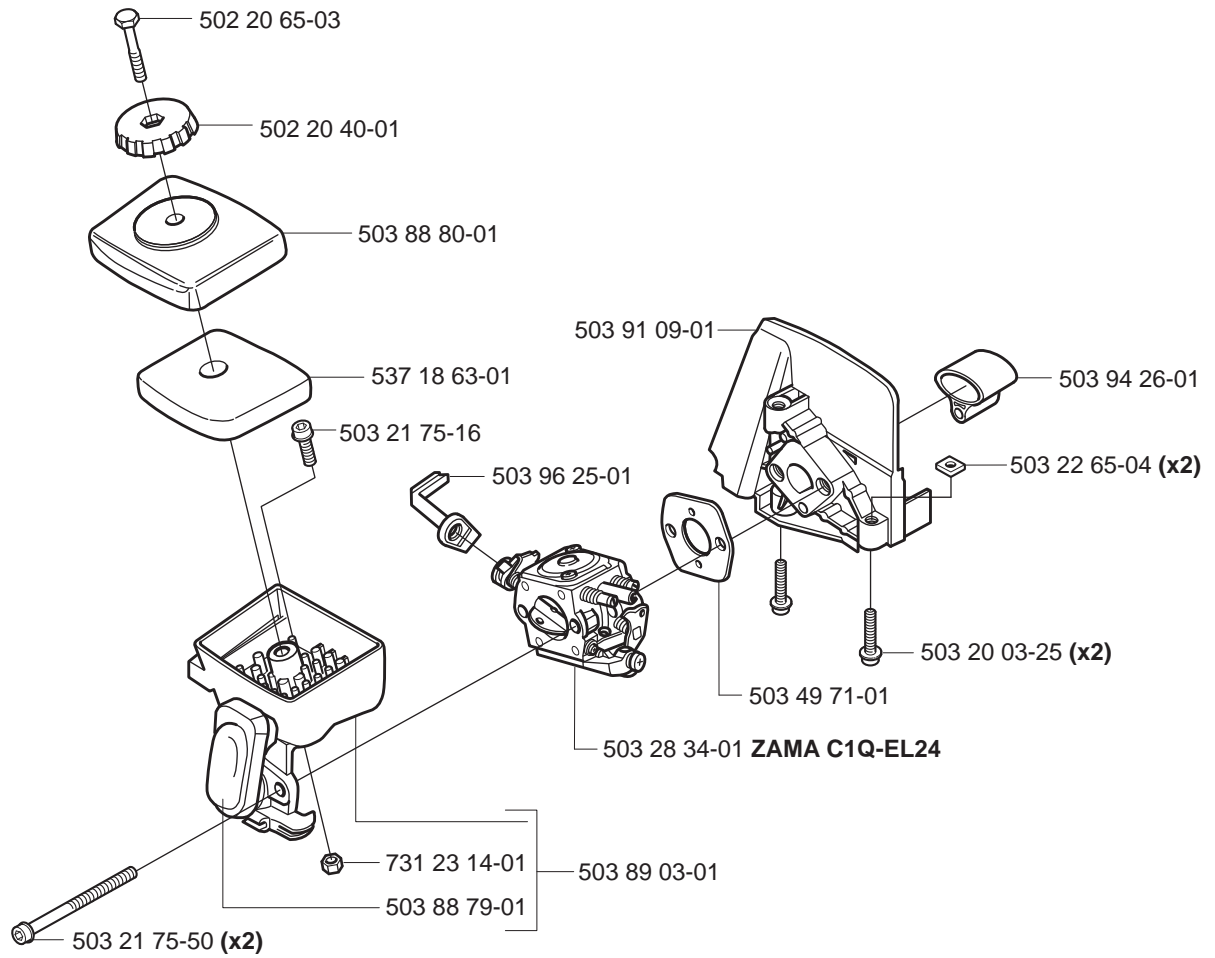


**E** 323R  
\*compl 537 42 45-04



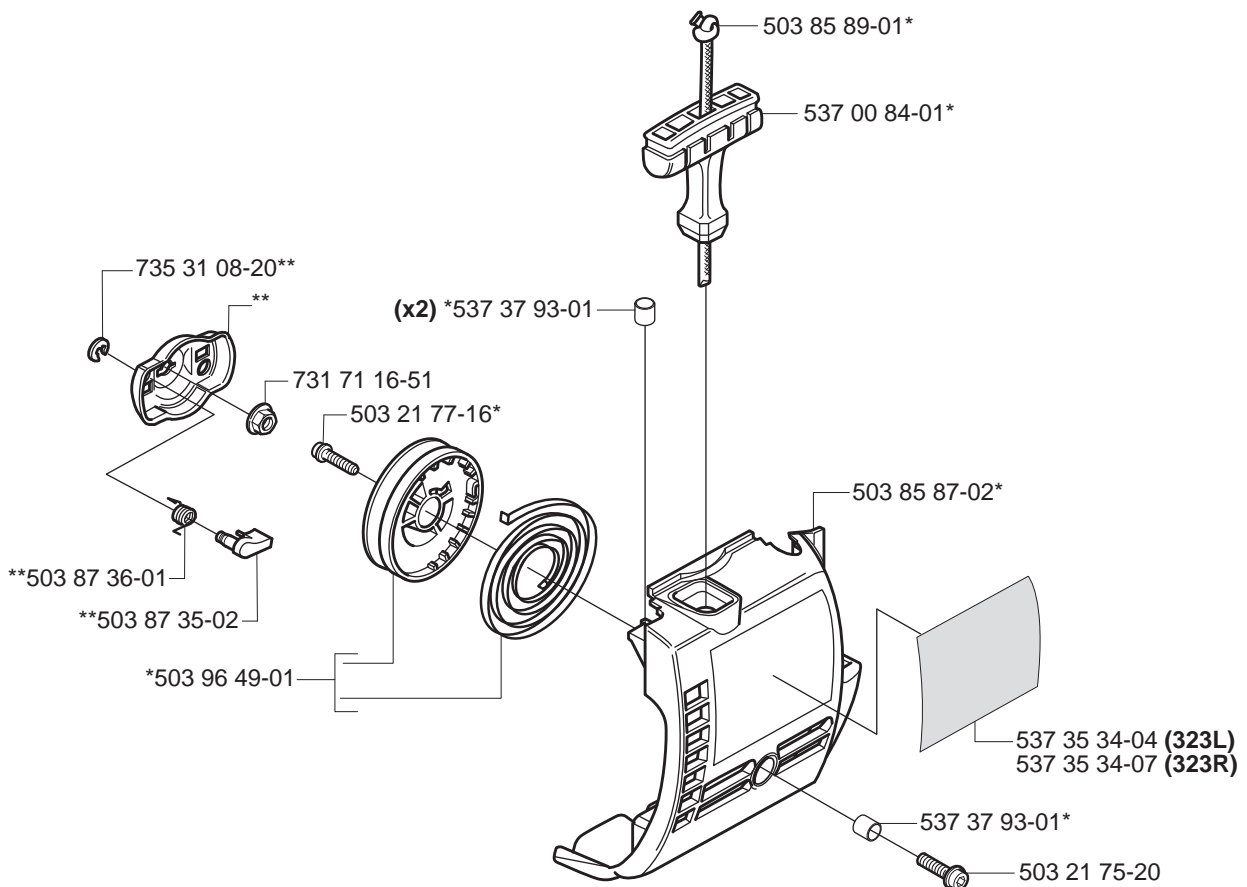
**F**

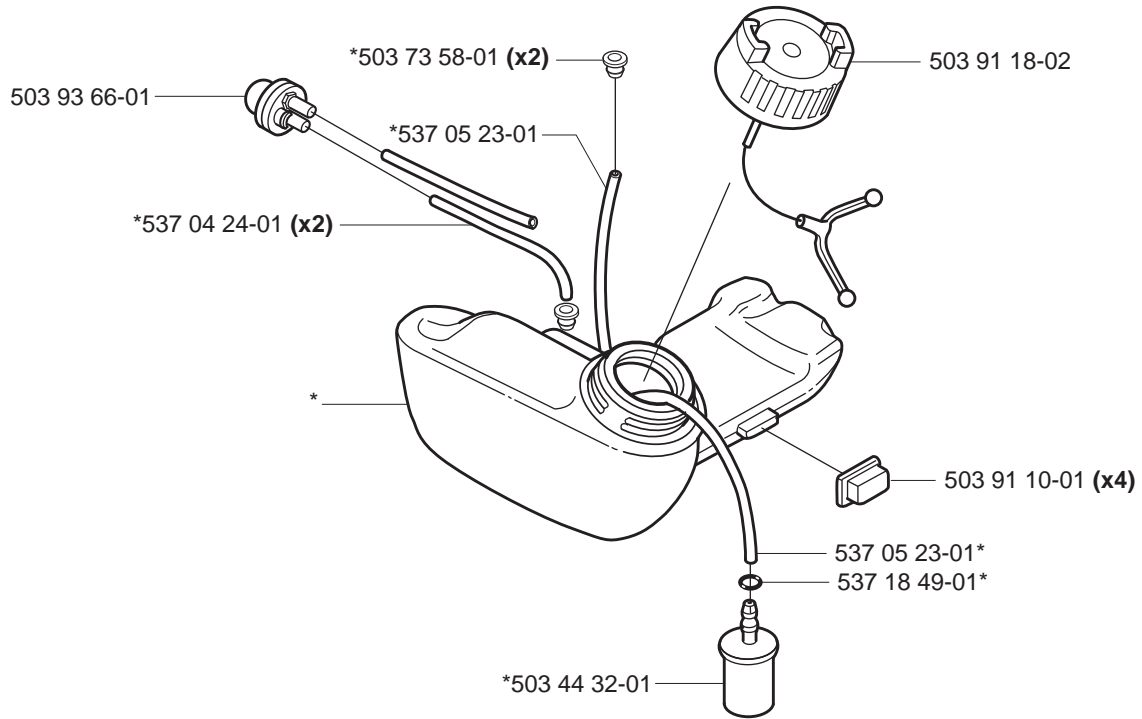
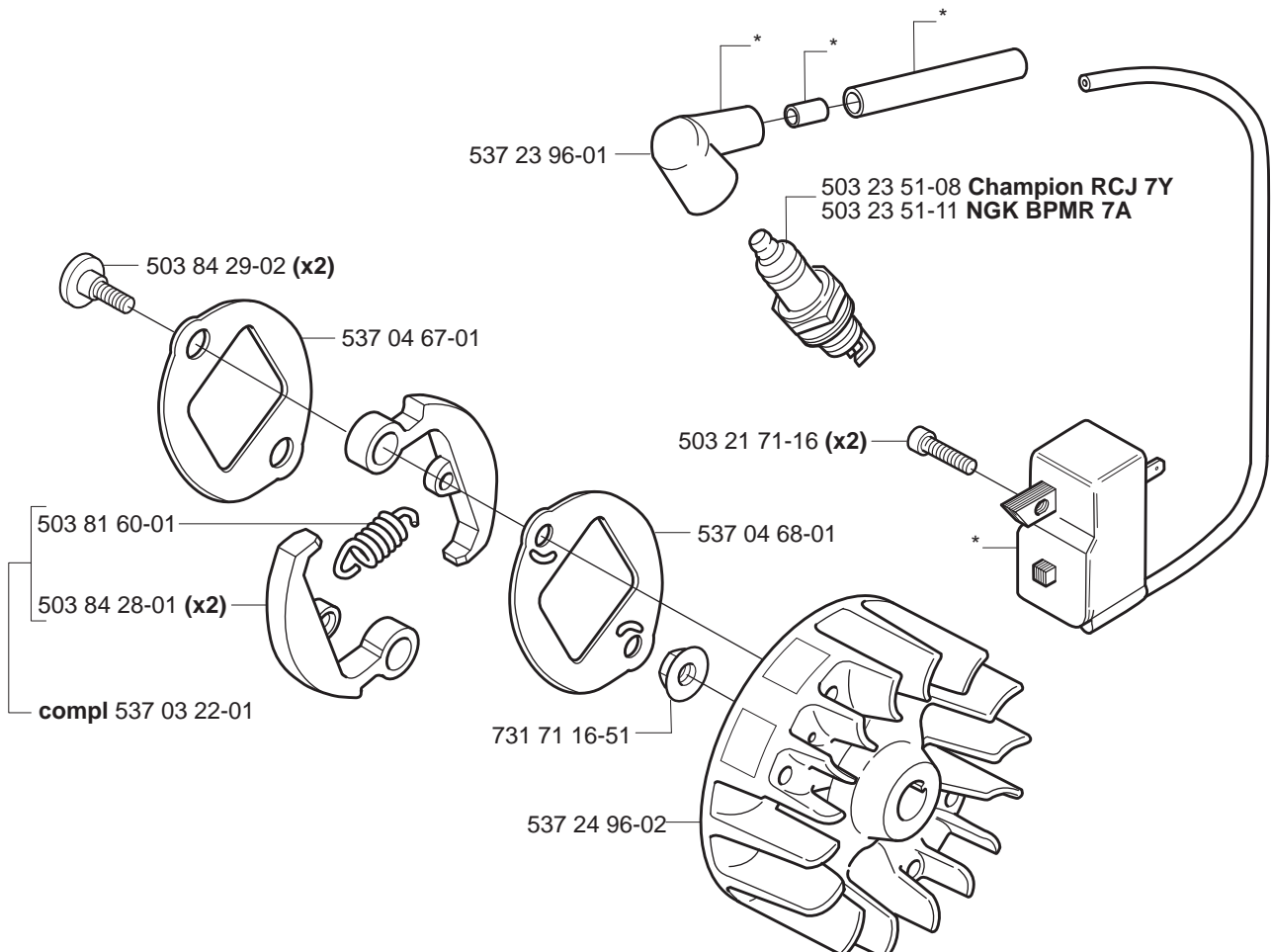


**G****H**

\*compl 503 85 28-04

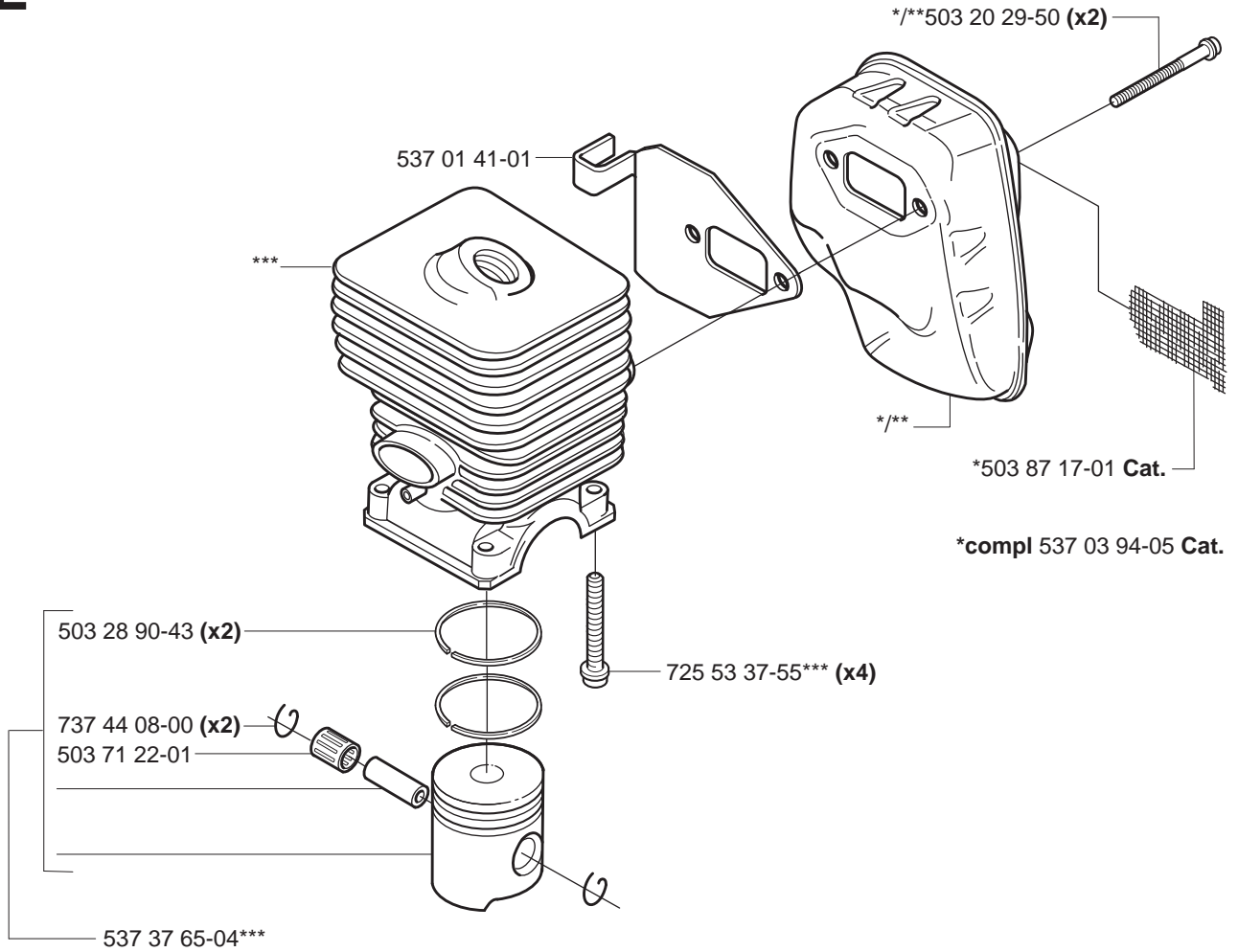
\*\*compl 503 87 33-02



**J****\*compl 537 06 86-01****K****\*compl 537 41 87-01**

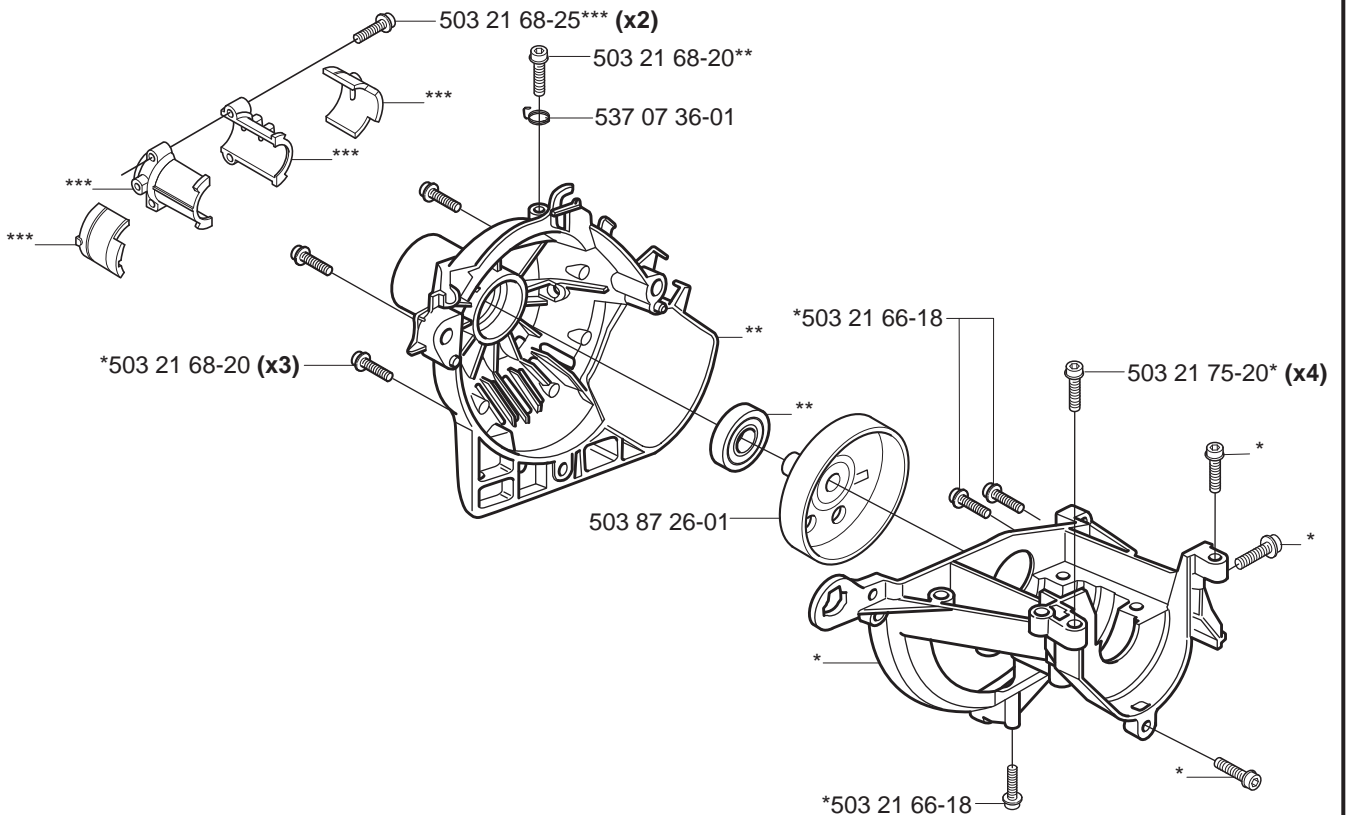
**L**

\*\*\*compl 537 03 20-08



**M**

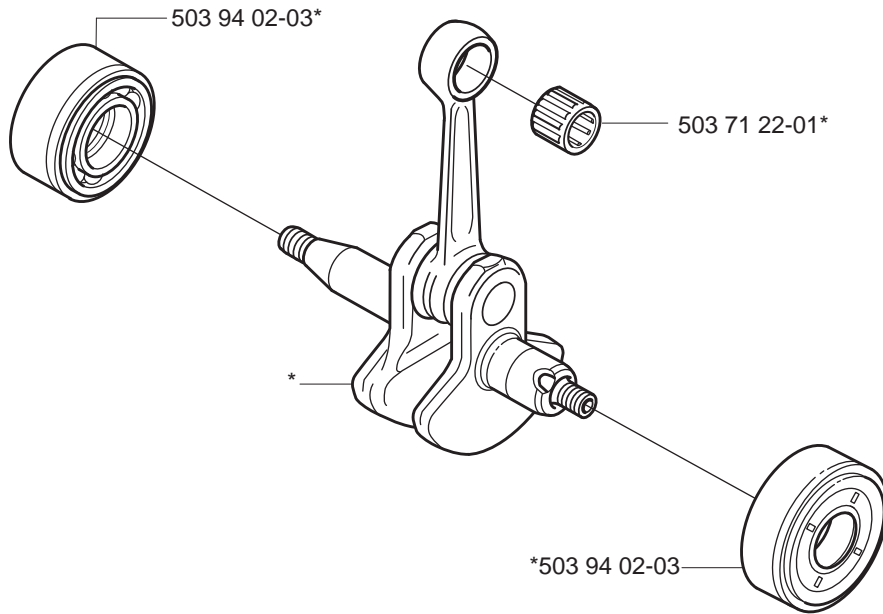
\*compl 537 04 11-02  
\*\*compl 537 04 12-03  
\*\*\*compl 537 30 96-01





**N**

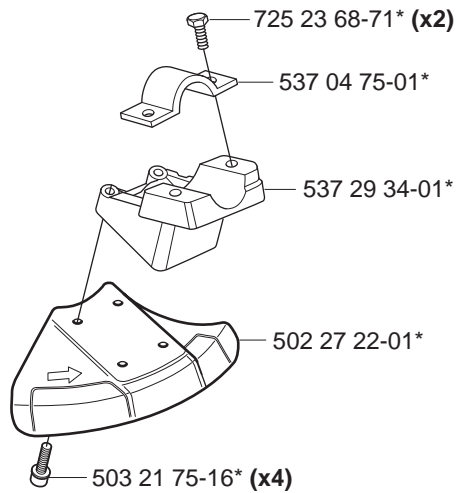
\*compl 503 85 24-74

**P**

Accessories  
Zubehöre  
Accessoires  
Accessorios  
Tillbehör

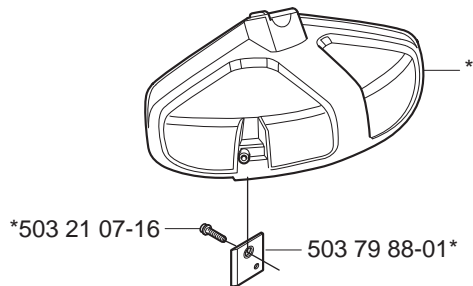
323R

\*compl 537 29 95-01



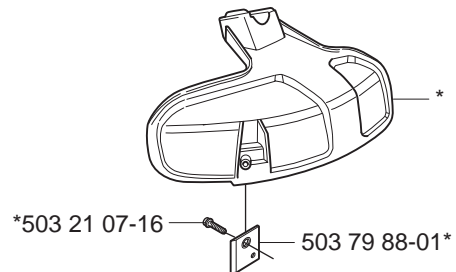
323R

\*compl 503 93 42-02

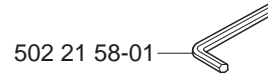
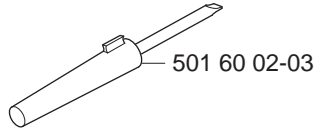
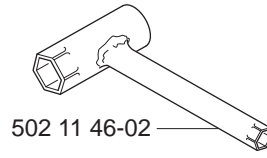
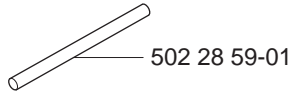


323L

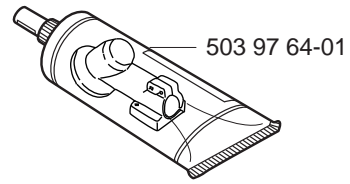
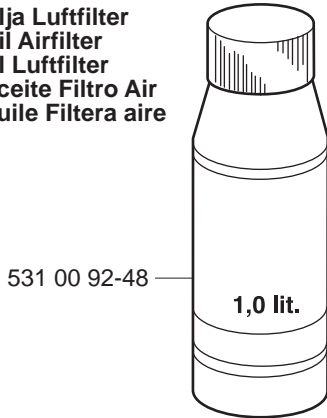
\*compl 503 97 71-01



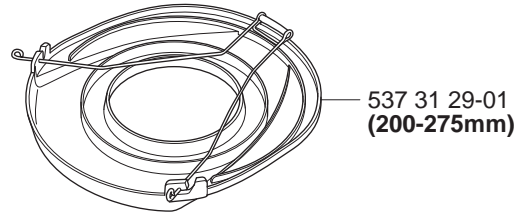
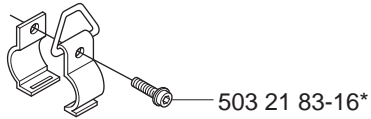
**P** Accessories  
 Zubehöre  
 Accessoires  
 Accesorios  
 Tillbehör



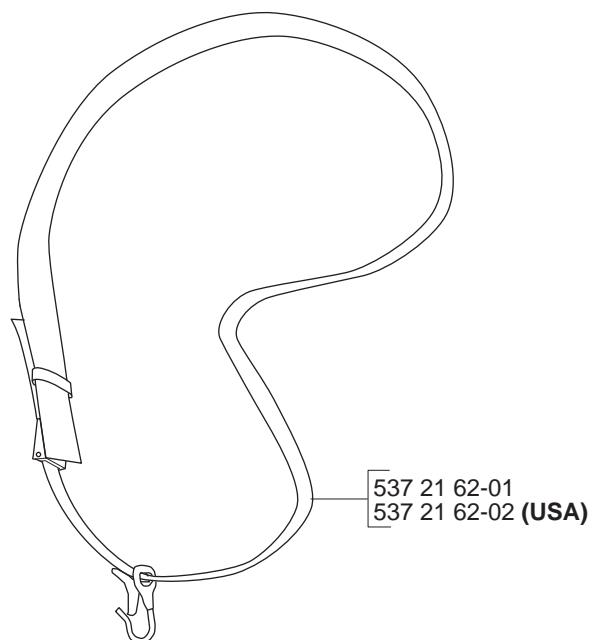
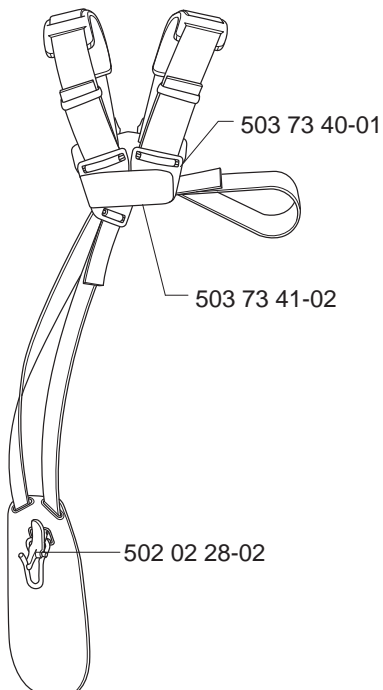
**Olja Luftfilter**  
**Oil Airfilter**  
**Öl Luftfilter**  
**Aceite Filtro Air**  
**Huile Filtera aire**



\*compl 501 78 33-01

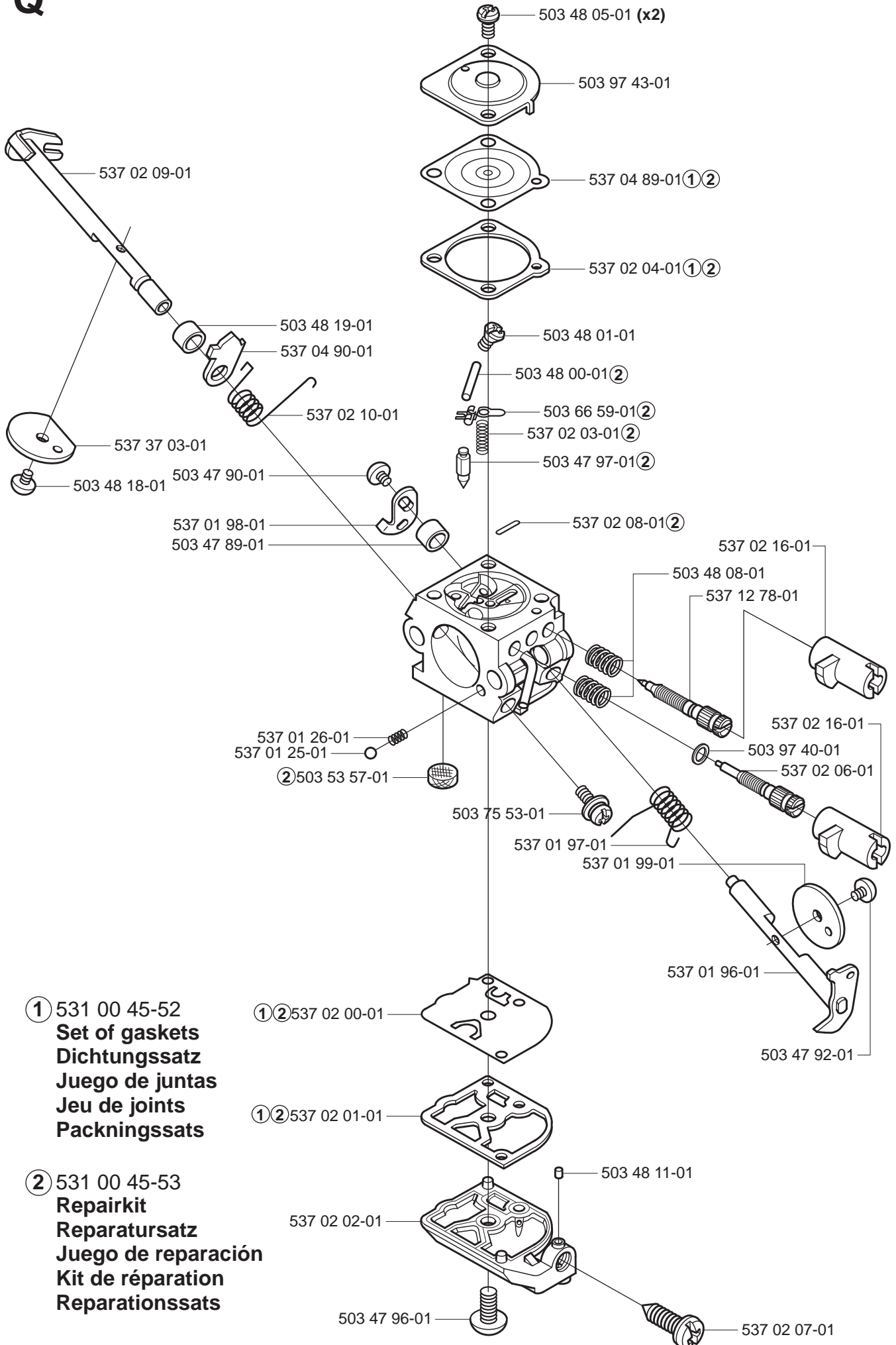


compl 537 21 63-01  
 compl 537 21 63-02 (USA)



**Q**

compl 503 28 34-01 ZAMA C1Q-EL24

**ZAMA C1Q - EL 24**

# RECOMMENDED PARTS, ACCESSORIES, LUBRICANTS

## 323L/323R TRIMMER

	<u>Item</u>	<u>Part Number</u>	<u>Description</u>
<b>Normal Maintenance Parts</b>	Air Filter	537 18 63-01	
	Air Filter Cover	503 88 80-01	
	Fuel Filter	503 44 32-01	
	Fuel Cap	503 91 18-02	
	Ignition Module	537 41 87-01	
	Spark Plug	503 23 51-11	
	Start/Stop Switch	537 41 90-01	
	Starter Assy.	503 85 28-04	
	Starter Pawl	503 87 35-02	
	Starter Pulley Assembly	503 96 49-01	
	Air Purge Bubble	503 93 66-01	
	Cylinder Cover	503 87 18-02	
	Muffler Cover	537 32 08-01	
	Handle, Loop	503 87 19-01	
	Grass Shield, L	503 97 71-01	
	Grass Shield, R	503 93 42-02	
	Line Cutter	503 79 88-01	
	Gear Head	537 19 92-02	
	<u>Item</u>	<u>Part Number</u>	<u>Description</u>
<b>Trimmer Accessories</b>	Trimmer Line	639 00 50-12	.080" Titanium Trimmer Line, 1/2 lb.
		639 00 50-02	.095" Titanium Trimmer Line, 1/2 lb.
		639 00 50-03	.105" Titanium Trimmer Line, 1/2 lb.
	Trimmer Head	531 30 01-94	T35 Trimmer Head
		531 30 03-64	T35 Replacement Spool
	Brush Cutter Blade	531 30 02-34	255-4 Brush Cutter Blade (When Used With a Barrier Bar Kit ONLY)
Barrier Bar Kit	537 04 85-02	Barrier Bar Kit - 300 Series Trimmers	
	<u>Item</u>	<u>Part Number</u>	<u>Description</u>
<b>Lubricants</b>	XP Premium	610 00 00-85	XP Premium - 2.6 oz (1 Gallon Mix)
		610 00 00-82	XP Premium - 6.4 oz (2.5 Gallon Mix)
	<u>Item</u>	<u>Part Number</u>	<u>Description</u>
<b>Protective Apparel</b>	Protective Glasses	531 30 00-11	Xtreme Protective Glasses
	Protective Gloves	531 30 02-70	Master Grip Gloves, Medium
		531 30 02-71	Master Grip Gloves, Large
		531 30 02-72	Master Grip Gloves, X-Large
	Hearing Protectors	505 66 53-04	Husqvarna Headband Hearing Protectors
		505 66 53-78	Husqvarna Landscaper Radio Hearing Protectors - Digital FM

## 323L/323R

Part Number	Description	Square	Part Number	Description	Square
501 60 02-03	SCREWDRIVER	Q	503 72 43-03	HANDLE	C
501 78 33-01	HANGING BRACKET	Q	503 73 40-01	STRAP	Q
502 02 28-02	HOOK, CPL.	Q	503 73 41-02	STRAP	Q
502 11 46-02	COMBI WRENCH	Q	503 73 58-01	FUEL TANK BUSHING	J
502 19 71-01	NUT (LOOP HANDLE)	BC	503 75 53-01	SCREW	Q
502 19 95-03	HANDLE	C	503 79 56-01	DECAL WARNING "NO BLADES"	B
502 20 40-01	KNOB	G	503 79 88-01	LINE CUTTER	P
502 20 65-03	SCREW	G	503 80 45-01	BRACKET	C
502 21 12-01	GROMMET	C	503 81 60-01	SPRING	K
502 21 58-01	L-KEY WRENCH	Q	503 84 28-01	CLUTCH	K
502 27 22-01	BLADE GUARD	P	503 84 29-02	SCREW	K
503 20 03-25	SCREW	G	503 85 24-74	CRANKSHAF	N
503 20 07-12	SCREW	A	503 85 63-01	GEARHEAD NUT - BRUSHCUTTER	A
503 20 07-16	SCREW	C	503 85 89-01	STARTER ROPE	H
503 20 07-25	SCREW	A	503 86 45-01	DRIVE SHAFT	BC
503 20 07-35	SCREW	E	503 87 17-01	SCREEN	L
503 20 14-12	SCREW	A	503 87 19-01	HANDLE, LOOP	B
503 20 15-01	PLUG	A	503 87 26-01	CLUTCH DRUM	BCM
503 20 29-50	SCREW	L	503 87 33-02	PAWL ASSY COMPLETE	H
503 21 07-16	SCREW	P	503 87 35-02	STARTER PAWL	H
503 21 07-45	SCREW	C	503 87 36-01	SPRING	H
503 21 35-12	SCREW	F	503 87 79-01	THROTTLE TRIGGER	D
503 21 66-16	SCREW	E	503 87 80-01	THROTTLE LOCK	D
503 21 66-18	SCREW	DM	503 88 23-01	HOLDER	C
503 21 68-16	SCREW	C	503 88 79-01	COVER	G
503 21 68-20	SCREW	FM	503 88 80-01	AIR FILTER COVER	G
503 21 68-25	SCREW	M	503 88 88-01	DRIVE TUBE ASSEMBLY	BC
503 21 71-16	SCREW	K	503 89 03-01	FILTER HOLDER	G
503 21 75-16	SCREW	GP	503 91 09-01	PARTITION	G
503 21 75-20	SCREW	HM	503 91 10-01	SUPPORT	J
503 21 75-25	SCREW	C	503 91 18-02	FUEL CAP	J
503 21 75-50	SCREW	G	503 91 81-01	LEVER	D
503 21 77-16	SCREW	H	503 93 42-02	GRASS SHIELD	P
503 21 83-16	SCREW 5X14	Q	503 93 55-01	BRACKET TRIMMER GUARD	A
503 22 10-13	NUT	E	503 93 66-01	AIR PURGE BUBBLE	J
503 22 65-04	NUT	G	503 94 02-03	HOLDER	N
503 23 00-61	WASHER	B	503 94 03-01	SPACER PLASTIC	B
503 23 51-08	SPARK PLUG RCJ7Y	K	503 94 10-01	HARNESSE HOLDER	C
503 23 51-11	BPMR7A NGK SPARK PLUG	K	503 94 26-01	PIPE	G
503 25 24-01	BEARING	A	503 96 13-01	SCREW MT5X11	DF
503 28 34-01	CARBURATOR	GQ	503 96 14-01	VIBRATION DAMPER	D
503 28 90-43	PISTION RING	L	503 96 25-01	CHOKE CONTROL	G
503 44 32-01	FUEL FILTER	J	503 96 31-01	CLAMP	C
503 47 89-01	SPACER	Q	503 96 49-01	STARTER PULLEY ASSY.	H
503 47 90-01	SCREW	Q	503 97 21-01	COVER	F
503 47 92-01	SCREW	Q	503 97 40-01	WASHER	Q
503 47 96-01	SCREW	Q	503 97 43-01	COVER	Q
503 47 97-01	INLET NEEDLE	Q	503 97 64-01	BEVEL GEAR GREASE	Q
503 48 00-01	PIN FULCRUM	Q	503 97 71-01	TRIMMER GUARD ASSEMBLY	P
503 48 01-01	SCREW	Q	503 99 55-01	HANDLE	D
503 48 05-01	SCREW	Q	503 99 56-01	HANDLE	D
503 48 08-01	SPRING	Q	531 00 45-52	GASKET KIT (ZAMA GND39)	Q
503 48 11-01	PLUG	Q	531 00 45-53	CARBURETOR KIT (ZAMA RB69)	Q
503 48 18-01	SCREW	Q	531 00 92-48	AIR FILTER OIL	Q
503 48 19-01	BUSHING	Q	537 00 84-01	STARTER HANDLE	H
503 49 71-01	GASKET	G	537 01 13-01	SPRING	D
503 53 57-01	STRAINER	Q	537 01 25-01	BALL	Q
503 66 59-01	LEVER	Q	537 01 26-01	SPRING	Q
503 71 22-01	BEARING	LN	537 01 41-01	GASKET	L
503 72 10-03	HANDLE	C	537 01 96-01	SHAFT	Q

IPL, 323 L, 323 R, 2005-03, 544 06 35-01

## 323L/323R

Part Number	Description	Square	Part Number	Description	Square
537 01 97-01	SPRING THROTTLE	Q	537 19 92-02	GEAR HEAD	A
537 01 98-01	ARM	Q	537 21 62-01	STRAP	Q
537 01 99-01	THROTTLE FLAP	Q	537 21 62-02	SHOULDER STRAP	Q
537 02 00-01	PUMP DIAPHRAGM	Q	537 21 63-01	HARNESS DUO	Q
537 02 01-01	GASKET	Q	537 21 63-02	HARNESS	Q
537 02 02-01	COVER	Q	537 23 49-01	DRIVE DISC	A
537 02 03-01	SPRING	Q	537 23 96-01	SPARK PLUG CONNECTION	K
537 02 04-01	GASKET	Q	537 24 96-02	FLYWHEEL	K
537 02 06-01	NEEDLE HIGH SPEED	Q	537 28 56-01	SUPPORT FLANGE	A
537 02 07-01	SCREW	Q	537 29 26-01	WASHER	A
537 02 08-01	PIN	Q	537 29 34-01	ADAPTER	P
537 02 09-01	CHOKE SHAFT	Q	537 29 48-01	WARNING DECAL	BC
537 02 10-01	SPRING	Q	537 29 95-01	TRIMMER GUARD ASSY	P
537 02 16-01	CAP	Q	537 30 96-01	COMPRESION SLEEVE/ISOLATOR	M
537 03 20-08	CYLINDER	L	537 31 29-01	BLADE GUARD TRANSPORT	Q
537 03 22-01	CLUTCH	K	537 32 08-01	MUFFLER COVER	F
537 04 11-02	CRANKCASE	M	537 35 33-14	DECAL, 323L CYLINDER COVER	F
537 04 12-03	CLUTCH COVER 300 SERIES TRIM	M	537 35 34-04	DECAL	H
537 04 24-01	HOSE	J	537 37 03-01	CHOKE CAP	Q
537 04 67-01	WASHER	K	537 37 65-04	PISTON	L
537 04 68-01	WASHER	K	537 41 42-01	SHORT-CIRCUIT CABLE	D
537 04 75-01	CLAMP	P	537 41 87-01	IGNITION MODULE MB50	K
537 04 89-01	DIAPHRAGM	Q	537 41 90-01	STOP BUTTON	DE
537 04 90-01	LEVER	Q	537 42 44-01	CABLE HARNESS COMPLETE	E
537 05 23-01	HOSE	J	725 23 68-71	BOLT FLANGE - M6X20	P
537 05 25-01	THROTTLE CABLE	D	725 23 70-51	SCREW M6S 6X20	A
537 06 86-01	TANK UNIT	J	725 23 78-51	SCREW	B
537 07 36-01	HOLDER	M	725 53 37-55	SCREW MC6S 5X35	L
537 10 44-01	PROTECTOR	F	731 23 14-01	NUT	CG
537 12 78-01	LOW SPPED NEEDLE	Q	731 71 16-51	FLANGE NUT	HK
537 16 02-03	HANDLE	E	735 31 08-20	E-RING 4	H
537 16 03-01	HANDLE	E	735 31 11-00	RETAINING RING	A
537 16 06-01	THROTTLE LOCK	E	735 31 25-10	RETAINING RING	A
537 16 07-01	THROTTLE LOCK	E	735 31 28-10	RETAINING RING SGH 28	A
537 16 08-01	THROTTLE TRIGGER	E	737 44 08-00	CLIP RING	L
537 17 39-01	THROTTLE WIRE	E	738 21 98-00	BALL BEARING 8X22X7/608Z	A
537 17 42-01	SPRING	E	738 21 99-00	BALL BEARING 24X9X1/609ZR	A
537 17 43-01	SPRING	E	738 21 99-02	BEARING	A
537 18 49-01	O-RING	J	740 42 06-00	O-RING 8X1.6	D
537 18 63-01	AIR FILTER (READY-OILED)	G			

IPL, 323 L, 323 R, 2005-03, 544 06 35-01