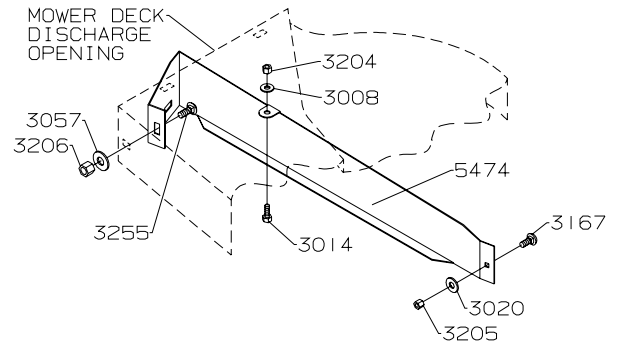


INSTALLATION INSTRUCTIONS

36" MULCHING KIT (1998 -) - P/N 539 12 39-49

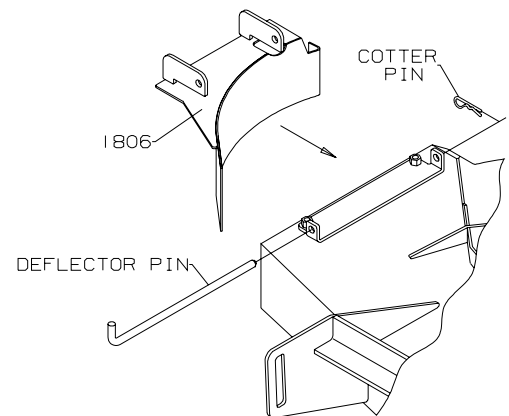
- 1) Remove plastic deflector from mower deck by pulling deflector pin and cotter pin.
- 2) Remove mower deck from chassis. Refer to Operator's Manual, if necessary. Turn the deck upside down.
- 3) Remove existing mower blades from deck and replace with mulcher blades (11914). When converting back to bagging or discharging, it is recommended that standard mower blades be put back on machine.

- 4) Install front baffle (5474) as illustrated at right. For hole closest to discharge opening, use 3/8-16 x 1" carriage bolt (3255), 3/8 washer (3057) and 3/8 nylok nut (3206). For hole in opposite end of baffle, use 5/16-18 x 3/4" carriage bolt (3167), 5/16 washer (3020) and 5/16 nylok nut (3205). Attach middle tab with 1/4-20 x 3/4" hex head bolt (3014), 1/4" flat washer (3008) and 1/4-20 nylok nut (3204). Do not tighten hardware at this time.



- 5) Install mulcher plug (1806) into discharge chute, as illustrated. The mulcher plug is most easily installed with the deck upside down. The hardware attaching the deflector bracket may need to be loosened to allow the mulcher plug to shift into its ideal position.

- 6) Secure mulcher plug to deck with deflector pin and cotter pin removed from deck in Step #1.



- 7) Tighten all hardware.
- 8) Rotate mower blades several times to check for adequate clearance with all newly installed parts. CONTACT BETWEEN BLADES AND MULCHER PARTS MAY RESULT IN SERIOUS INJURY.
- 9) Install mower deck to chassis. Refer to Operator's Manual, if necessary.