

### K3000 Electric, 14"

K3000 Electric, 14" (350 mm.) version is now equipped with a new blade guard.

The new blade guard is of similar design to the other Partner power cutters. The fitting has the same type ratchet washers in order to make blade guard adjustment easier.

This blade guard is fitted on machines from serial number:

#### **5466095**

<b>Part</b>	<b>New part#</b>
Blade guard, 14" (350 mm.):	506 26 49-03
Gear wheel kit:	544 22 89-01
Shaft:	544 09 75-01
Bearing support:	544 09 76-01
Shaft kit complete:	544 21 75-01
Washer:	506 32 06-01

#### Spare parts used in other products

<b>Part</b>	<b>Part#</b>
Lining:	506 26 63-02
Flange:	506 26 64-01
Flange :	506 26 65-01
Flange:	506 28 84-01
Screw:	503 20 02-12
Ball bearing:	503 25 21-01
Screw:	725 53 29-55

K3000 Electric, 12" (300 mm.) version will keep the same blade guard and adjustment as before.

# ***PARTNER***



**IPL, K3000 EI, 2005-12, 544 28 12-01**

***K3000 EI***

***Reservdelar***

***Spare parts***

***Ersatzteile***

***Pieces de rechange***

***Piezas de repuesto***

***Ricambi***

***Peças  
sobresselente***

**544 28 12-01**

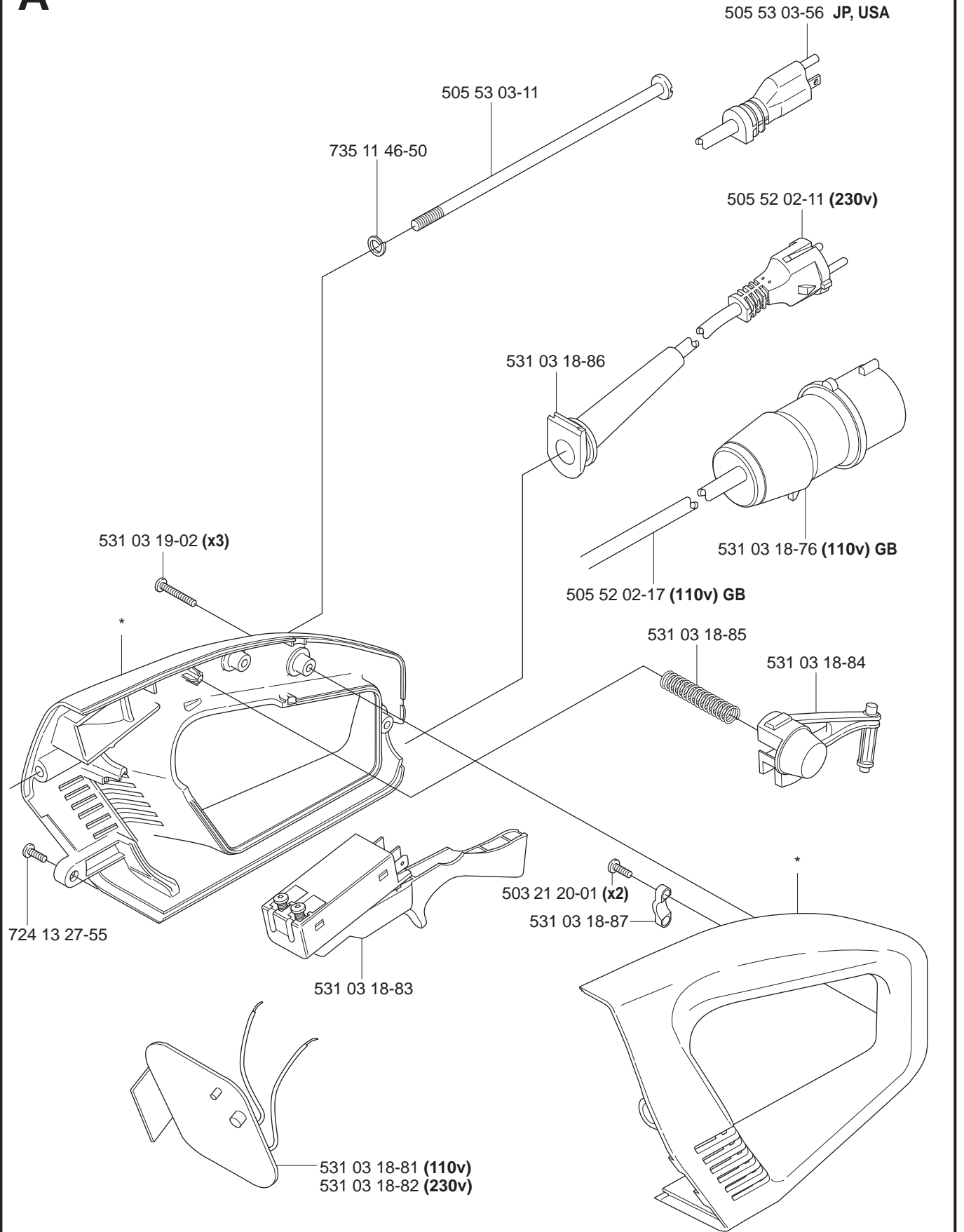
---

# **PARTNER®**

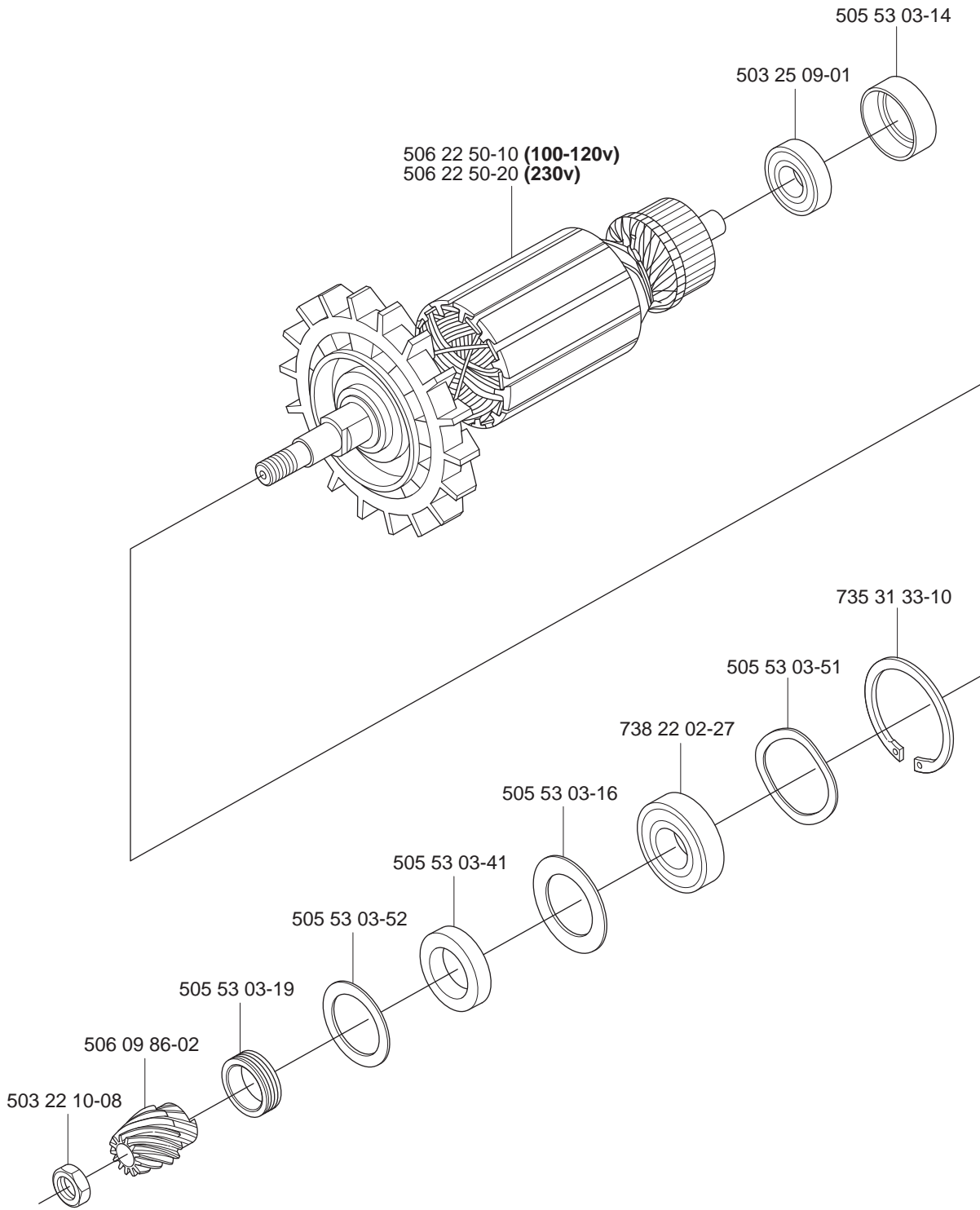
No.	Pos.	Description	No.	Pos.	Description
501 69 17-02	G	COMB.TOOL	531 03 18-84	A	KNOB
503 20 00-03	C	SCREW	531 03 18-85	A	SPRING
503 20 02-12	C	SCREW	531 03 18-86	A	RUBBER BUSHING
503 21 20-01	A	SCREW	531 03 18-87	A	CLAMP
503 22 10-08	B	NUT LEFT	531 03 18-89	A	HANDLE CPL
503 25 09-01	B	BALL BEARING	531 03 18-90	D	HOUSING
503 25 21-01	C	BALL BEARING	531 03 18-91	D	GROUNDING PIPE
505 52 02-11	A	CABLE CPL 220V CL.1	531 03 18-92	D	BRUSH ROCKER CPL
505 52 02-17	A	CABLE	531 03 18-94	E	SCREW
505 53 03-07	D	AIR STREAM DIRECTOR	531 03 18-96	D	INSPECTION COVER
505 53 03-08	C	GASKET	531 03 18-97	D	INSPECTION COVER
505 53 03-10	C	GASKET	531 03 19-01	C	SCREW
505 53 03-11	ADE	SCREW	531 03 19-02	A	SCREW
505 53 03-14	B	RUBBER BUSHING	531 03 19-03	E	SHAFT
505 53 03-16	B	SPACER	544 09 75-01	C	GEAR WHEEL KIT
505 53 03-19	B	SPACER	544 09 76-01	C	BEARING SUPPORT
505 53 03-41	B	FELT JOINT	544 21 75-01	C	SHAFT
505 53 03-51	B	SPRING WASHER	544 22 89-01	C	GEAR WHEEL KIT
505 53 03-52	B	SPACER	723 22 85-81	D	SCREW
505 53 03-56	A	CABLE JAPAN	724 12 87-59	D	SCREW
506 02 87-01	C	WASHER	724 12 91-01	D	SCREW
506 02 88-30	C	BUSHING	724 13 27-55	A	SCREW
506 03 45-01	C	WASHER	725 53 29-55	C	SCREW
506 03 62-02	C	SPACER	725 53 31-50	C	SCREW
506 03 62-04	C	SPACER	729 57 76-01	D	SCREW
506 09 86-02	BC	PINION	732 21 14-01	D	LOCKNUT
506 13 95-11	C	WASHER	734 11 36-01	D	WASHER
506 13 96-01	C	SCREW	735 11 36-50	D	SPRING WASHER
506 15 00-01	F	PROTECTOR	735 11 46-50	AD	SPRING WASHER
506 15 03-02	E	HANDLE	735 21 36-01	D	LOCK WASHER
506 15 05-02	C	GEAR SET	735 31 08-00	E	SEEGER CLIP
506 20 27-02	C	FLANGE	735 31 33-10	B	RETAINING RING SGH 35
506 22 50-10	B	ARMATURE	738 22 00-15	C	BALL BEARING
506 22 50-20	B	ARMATURE	738 22 02-27	B	BALL BEARING
506 22 51-10	D	FIELD COIL	738 22 03-18	C	BALL BEARING
506 22 51-20	D	FIELD COIL			
506 22 53-01	D	SCREW			
506 22 58-02	D	CARBON BRUSH 1 PCS			
506 24 44-01	D	DECAL			
506 26 49-03	F	PROTECTOR			
506 26 63-02	C	LINING			
506 26 64-01	C	FLANGE			
506 26 65-01	C	FLANGE			
506 26 75-01	C	WASHER			
506 28 84-01	C	FLANGE			
506 32 06-01	C	WASHER			
506 36 21-01	D	DECAL			
506 36 21-02	D	DECAL			
506 37 96-20	C	BUSHING			
506 37 96-25	C	BUSHING			
531 03 12-76	E	SCREW			
531 03 18-20	E	GEAR HOUSING CPL			
531 03 18-23	E	SPRING			
531 03 18-75	C	GEAR CPL			
531 03 18-76	A	PLUG			
531 03 18-78	C	SHAFT			
531 03 18-79	C	FLANGE			
531 03 18-81	A	ELGUARD			
531 03 18-82	A	ELGUARD			
531 03 18-83	A	SWITCH			

**A**

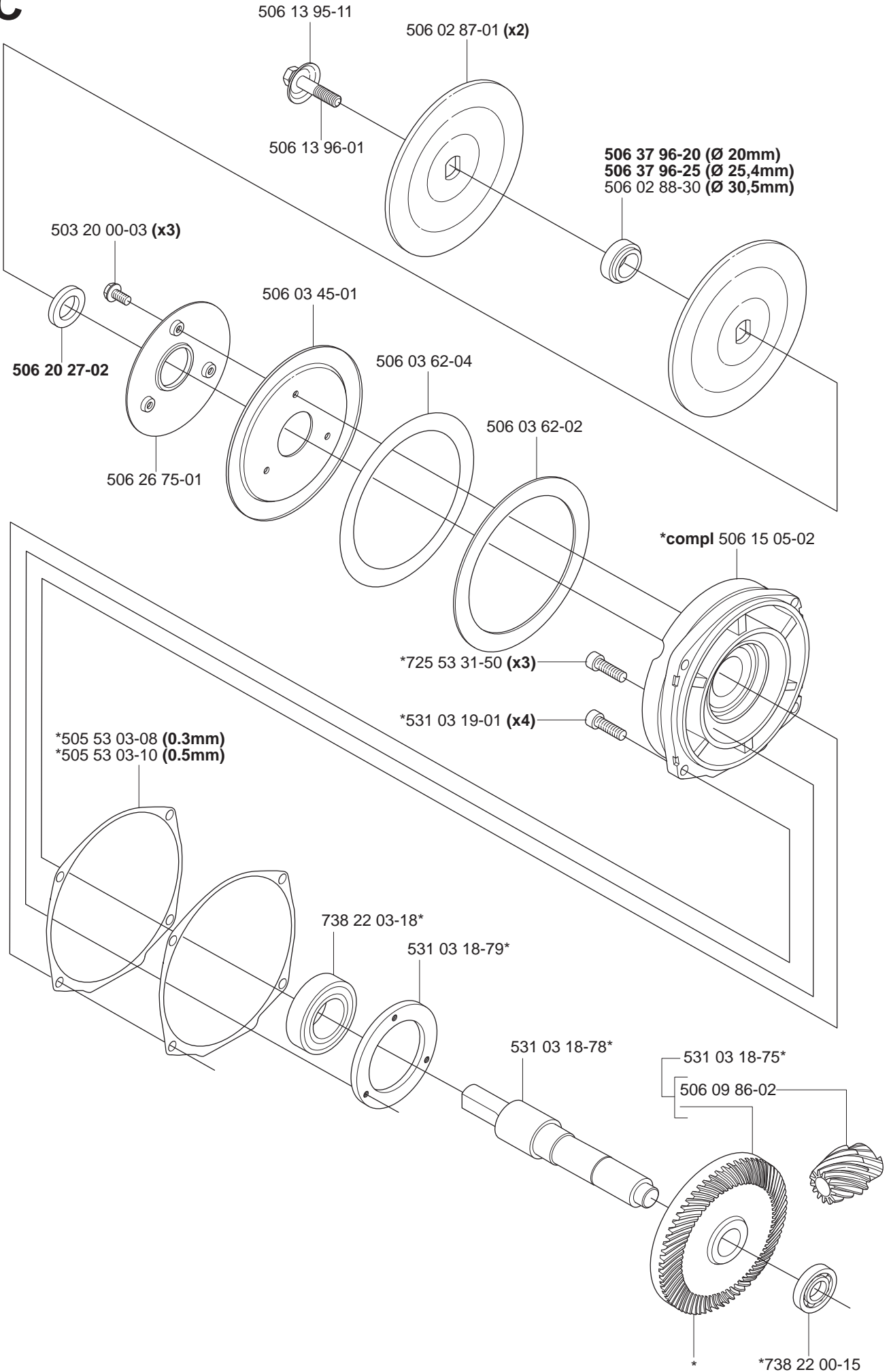
\*compl 531 03 18-89



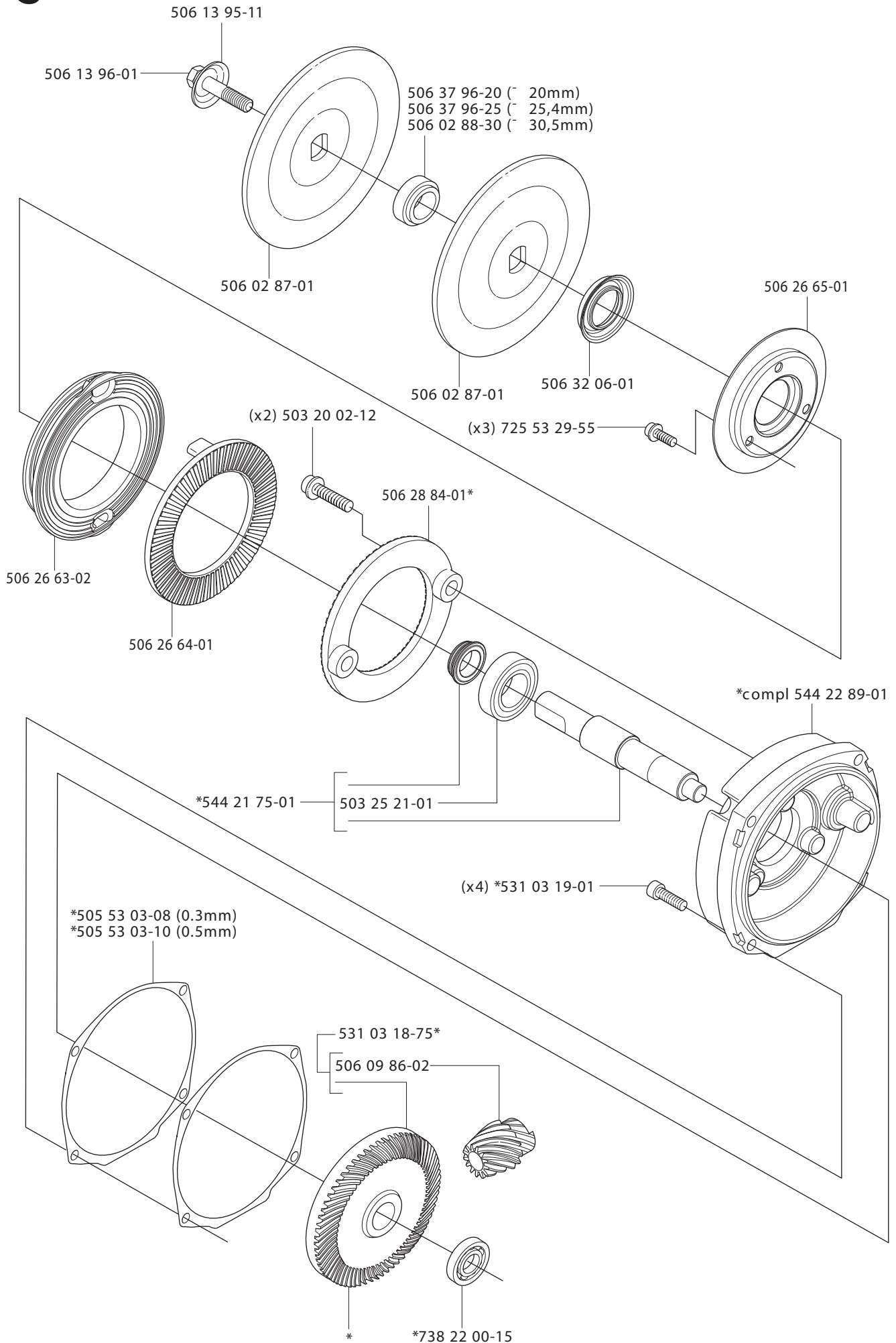
**B**



**C** 12"



C 14"



D



506 36 21-01



506 36 21-02

724 12 87-59

735 21 36-01

734 11 36-01

531 03 18-91

724 12 91-01 (x4)

735 11 36-50 (x4)

729 57 76-01

531 03 18-97

732 21 14-01 (x2)

735 11 46-50 (x2)

531 03 18-90

531 03 18-96

\*compl 531 03 18-92

\*506 22 58-02 (x2)

505 53 03-11

735 11 46-50

729 57 76-01

\*(x2)

\*723 22 85-81 (x2)

505 53 03-07

506 22 51-10 (100-120v)  
506 22 51-20 (230v)

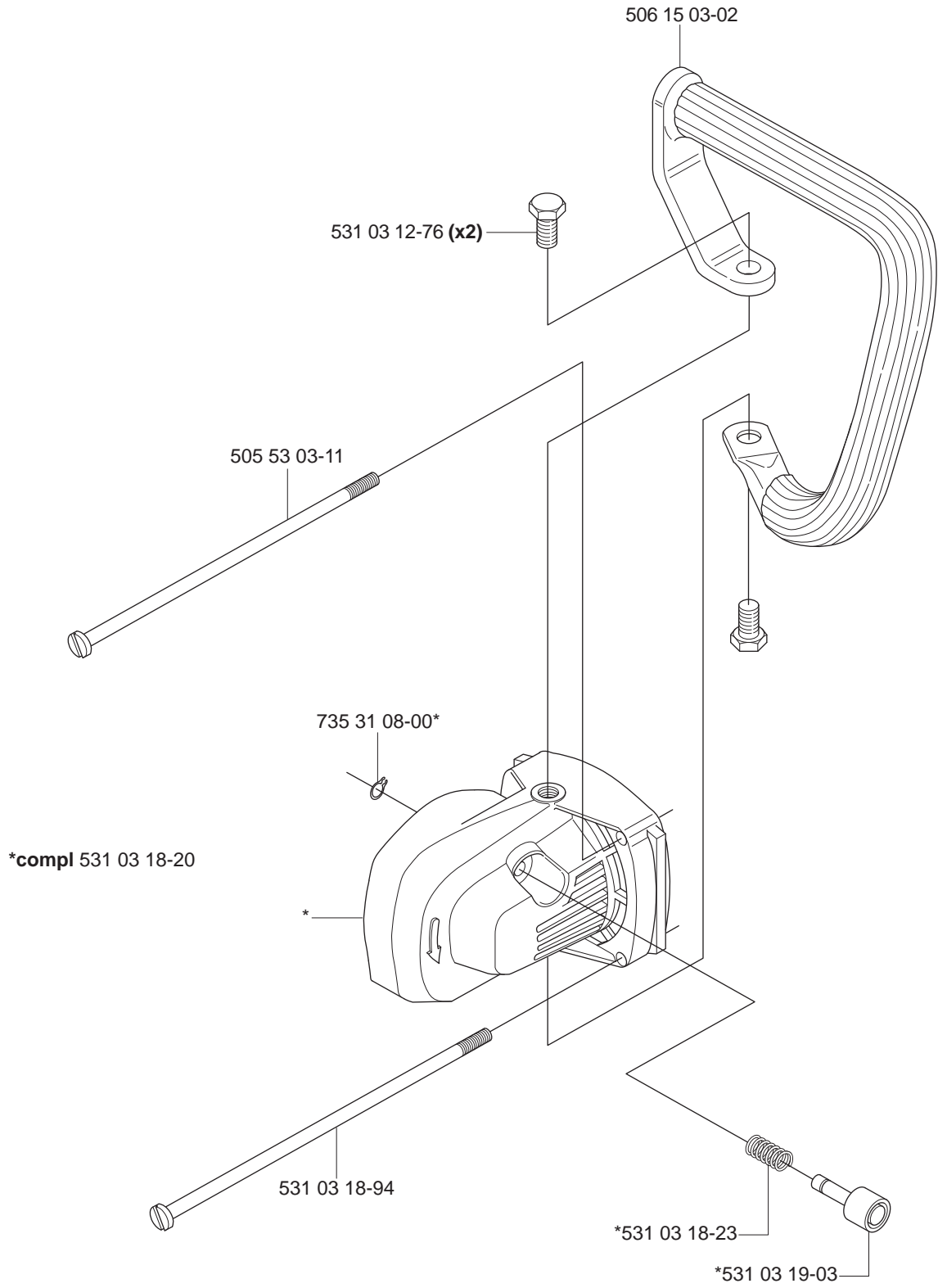
506 22 53-01 (x2)

506 24 44-01

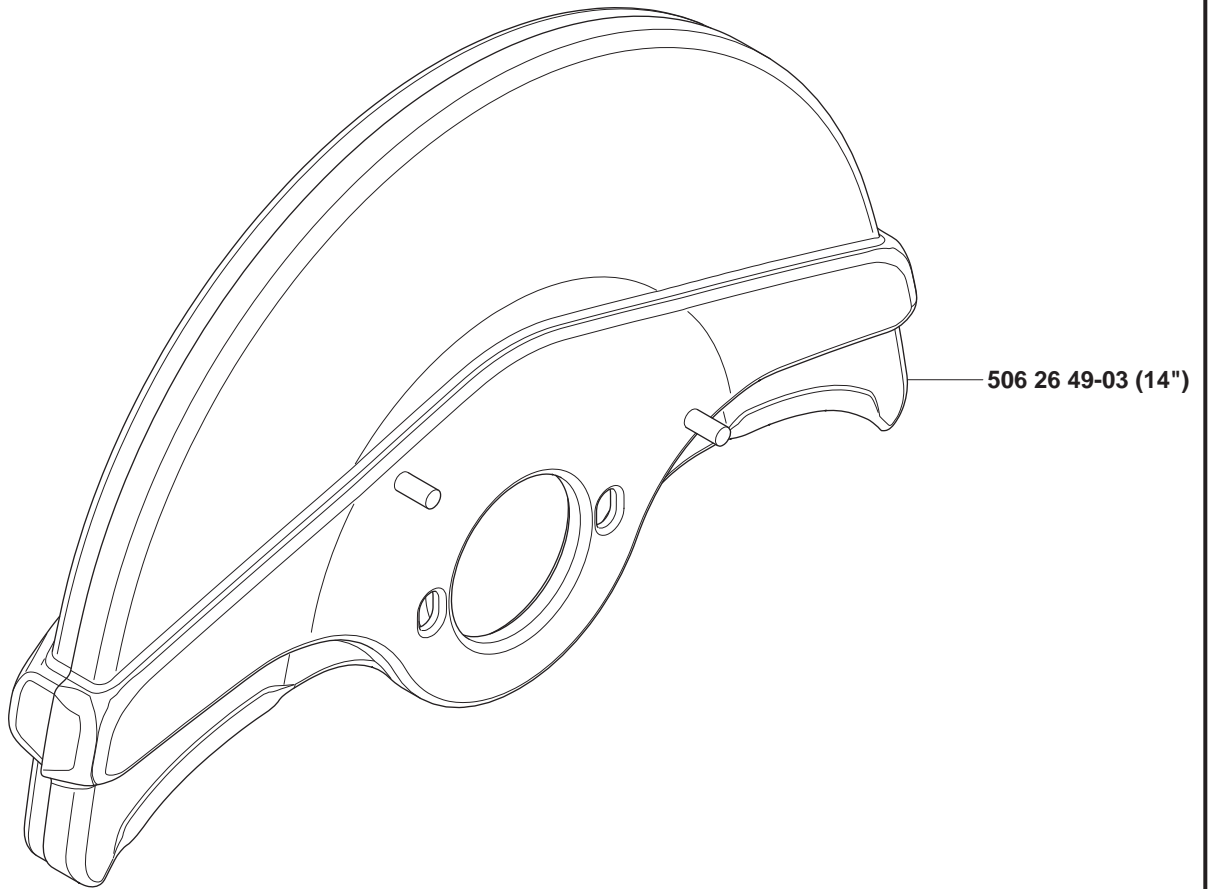
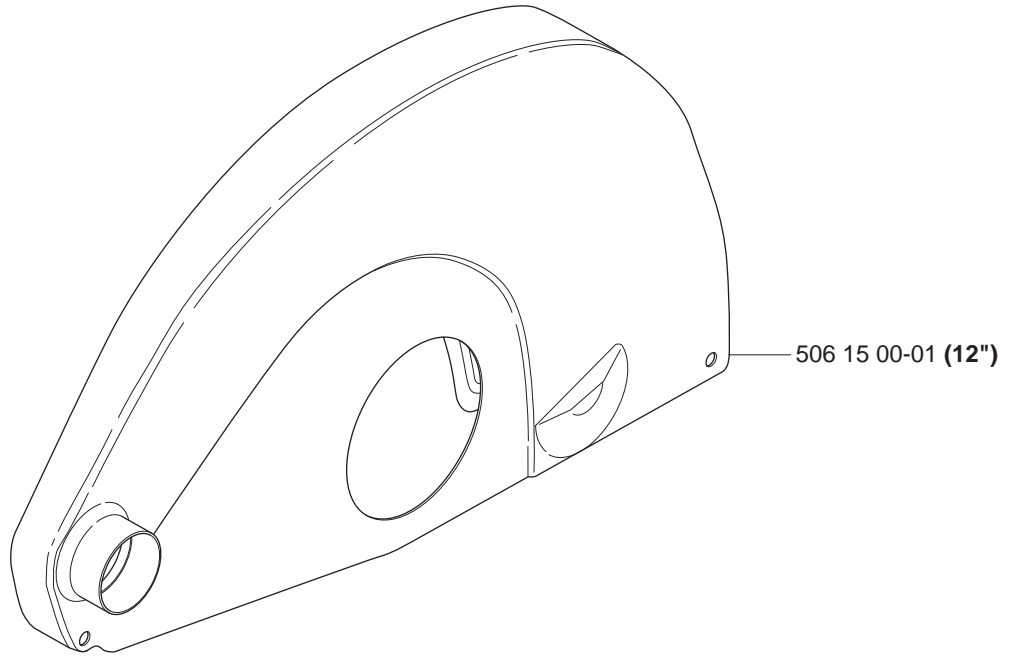




**E**



**F**



**G** Accessories  
Zubehöre  
Accessoires  
Accesorios  
Tillbehör

501 69 17-02

