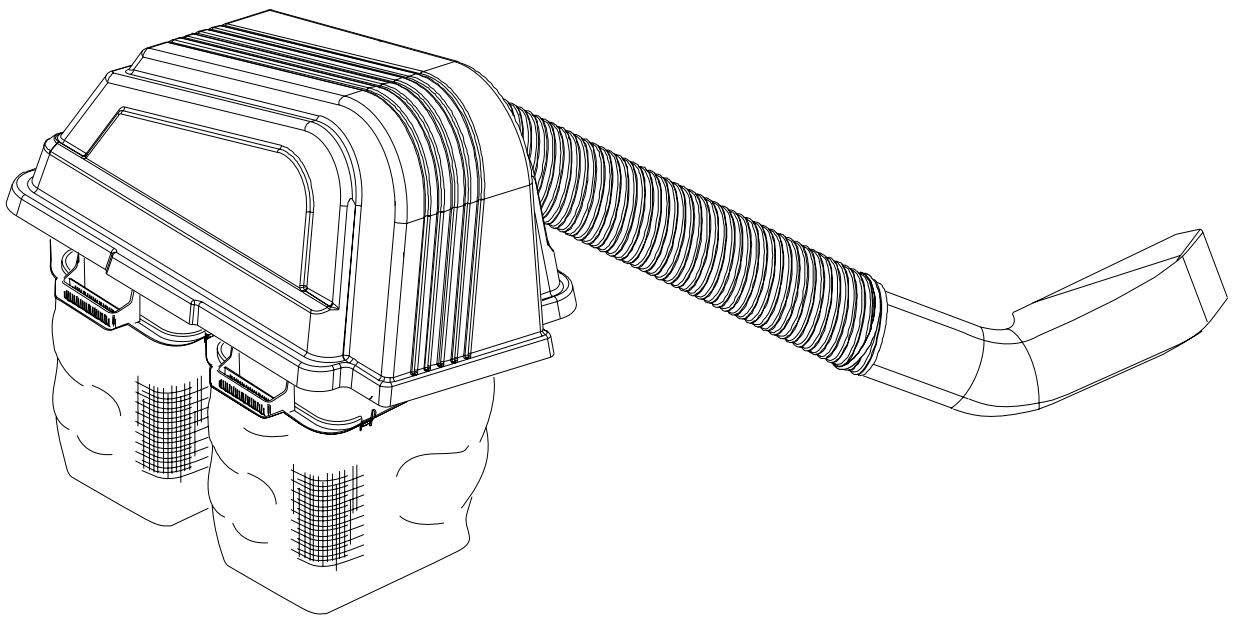


Illustrated Parts List

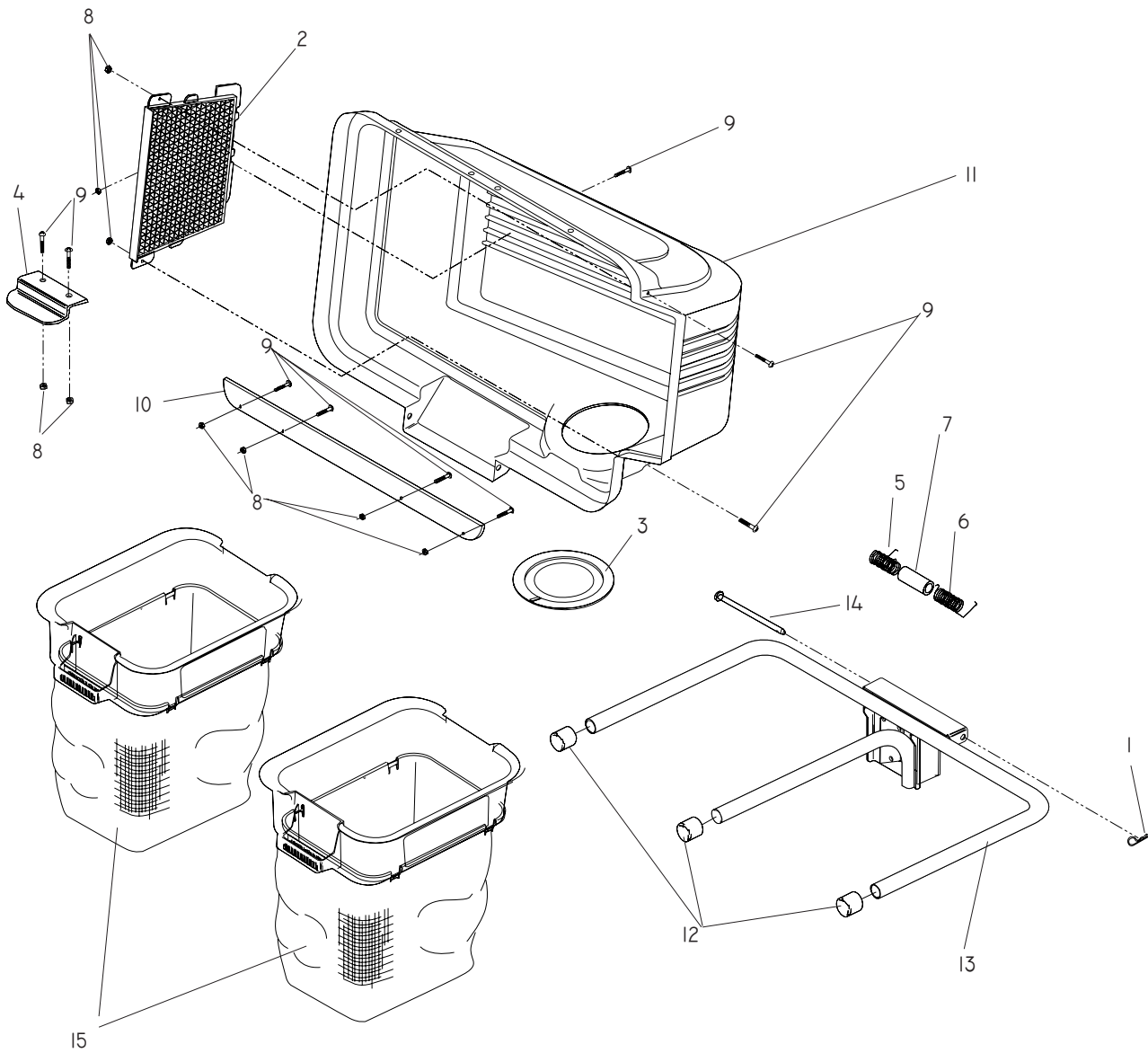


Grass Catcher

Dixon SpeedZTR 30

Kit 539 131188

PARTS

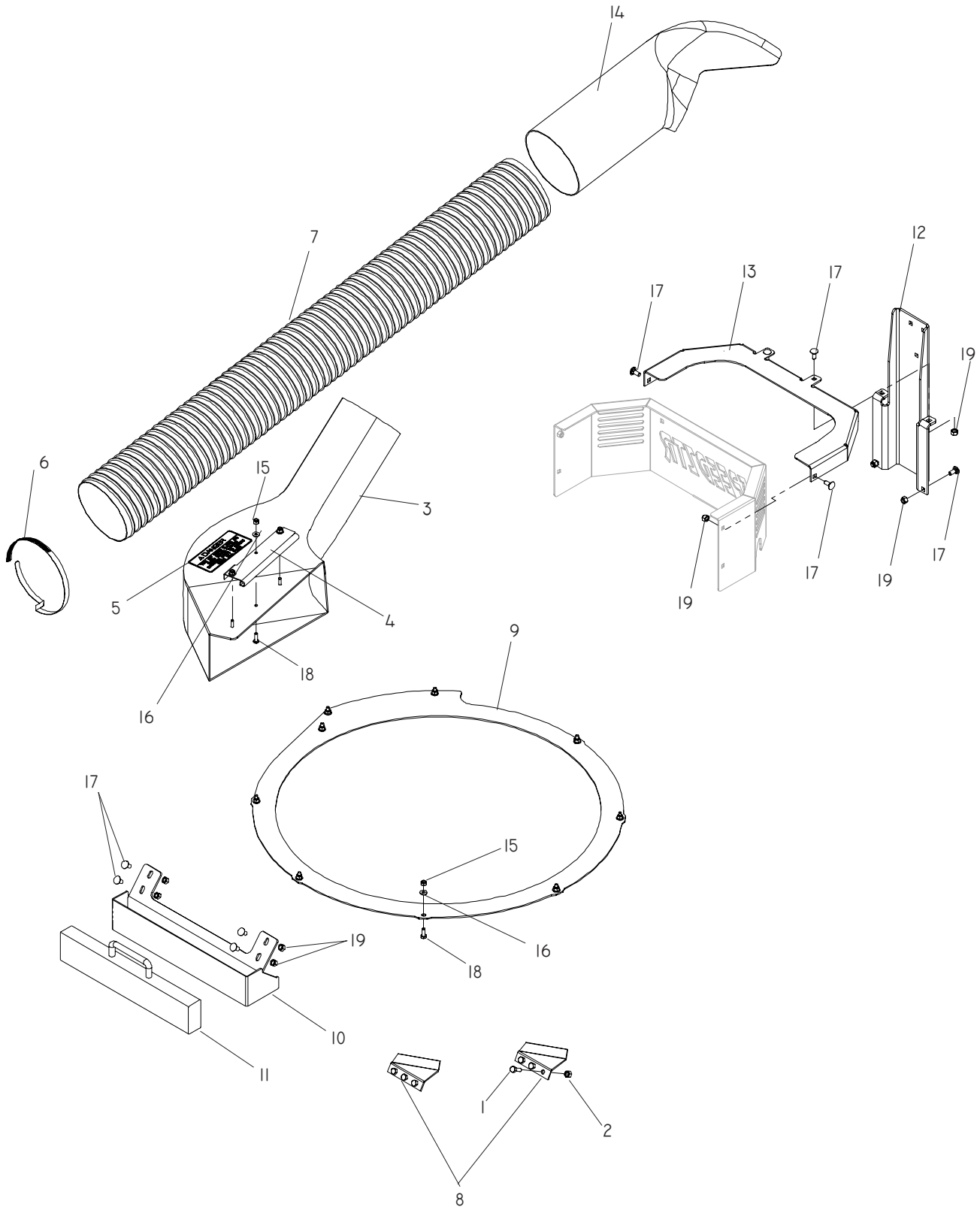


PARTS

ITEM	P/N	QTY.	DESCRIPTION
1	.. 532 124670 1	... RETAINER SPRING
2	.. 532 127533 1	... SCREEN, COVER
3	.. 539 108100 1	... GASKET, COVER
4	.. 532 130895 1	... LATCH HANDLE, COVER
5	.. 532 132796 1	... SPRING, COVER LT
6	.. 532 132983 1	... SPRING, COVER RT
7	.. 532 133235 1	... SPACER, COVER
8	.. 539 976977 8	... NUT, 10-24 HEX W/NYLOC

ITEM	P/N	QTY.	DESCRIPTION
9	.. 539 991034 8	... 10-24 x ⁵ / ₈ WASHER HD ZD
10	.. 532 414173 1	... STRIP, REINFORCEMENT
11	.. 532 160274 1	... COVER, TOP
12	.. 532 174083 3	... CAP, PLUG TUBING END
13	.. 532 414172 1	... FRAME ASSEMBLY, 2-BIN
14	.. 532 192786 1	... PIN, HINGE PIVOT
15	.. 532 400226 2	... CONTAINER BAG, SOFT

PARTS



PARTS



ITEM	P/N	QTY.	DESCRIPTION	ITEM	P/N	QTY.	DESCRIPTION
1	.. 539 108397 6	... HCS $\frac{5}{16}$ -24 x $\frac{7}{8}$ GR5 ZD	11	.. 539 121399 1	... WEIGHT
2	.. 539 110943 6	... NUT $\frac{5}{16}$ -24 NYLOC	12	.. 539 131153 1	... BRACKET, HANGER
3	.. 539 131351 1	... DSCHRG ADPTR W/DECAL	13	.. 539 131157 1	... REINFORCEMENT, GUARD
4	.. 539 115352 1	... DSCHRG MTNG BRKT	14	.. 539 131190 1	... UPPER CHUTE
5	.. 539 115401 1	... DECAL, WARNING	15	.. 539 976978	.. 12	... NUT $\frac{1}{4}$ -20 HEX NYLOC ZD
6	.. 539 115719 1	... HOSE CLAMP	16	.. 539 990055	.. 12	... WASHER, $\frac{1}{4}$ FLAT SAE ZD
7	.. 539 115938 1	... FLEX HOSE	17	.. 539 990316	.. 10	... RHSNB $\frac{5}{16}$ -18 x $\frac{3}{4}$ GR5 ZD
8	.. 539 116336 2	... HI LIFT ADAPTER	18	.. 539 990580	.. 12	... HCS $\frac{1}{4}$ -20 x $\frac{3}{4}$ GR5 ZD
9	.. 539 119910 1	... BOOSTER RING	19	.. 539 990717	.. 10	... NUT $\frac{5}{16}$ -18 HEX NYLOC ZD
10	.. 539 120206 1	... WEIGHT BOX				

TORQUE SPECIFICATIONS

HEX HEAD CAP SCREWS




The torque values shown should be used as a general guideline when specific torque values are not given.

U.S. Standard Hardware

Grade	SAE grade 5 		SAE grade 8 		Flangelock Screw w/ Flangelock Nut		
	ft./lbs	Nm	ft./lbs	Nm	ft./lbs	Nm	
Shank Size (Diameter in inches, fine or coarse)	1/4	9	12	13	18		
	5/16	18	24	28	38	24	33
	3/8	31	42	46	62	40	54
	7/16	50	68	75	108		
	1/2	75	102	115	156		
	9/16	110	150	165	224		
	5/8	150	203	225	305		
	3/4	250	339	370	502		
	7/8	378	513	591	801		
	1	583	790	893	1211		
	1 1/8	782	1060	1410	1912		

** Grade 5 - Minimum commercial quality (Lower quality not recommended)

Metric Standard Hardware

Grade	Grade 8.8 		Grade 10.9 		Grade 12.9 		
	ft./lbs	Nm	ft./lbs	Nm	ft./lbs	Nm	
Shank Size (Diameter in millimeters, fine or coarse)	M4	1.5	2	2.2	3	2.7	3.6
	M5	3	4	4.5	6	5.2	7
	M6	5.2	7	7.5	10	8.2	11
	M7	8.2	11	12	16	15	20
	M8	13.5	18	18.8	25	21.8	29
	M10	24	32	35.2	47	43.5	58
	M12	43.5	58	62.2	83	75	100
	M14	70.5	94	100	133	119	159
	M16	108	144	147	196	176	235
	M18	142	190	202	269	242	323
	M20	195	260	275	366	330	440
	M22	276	368	390	520	471	628
	M24	353	470	498	664	596	794
	M27	530	707	474	996	904	1205

