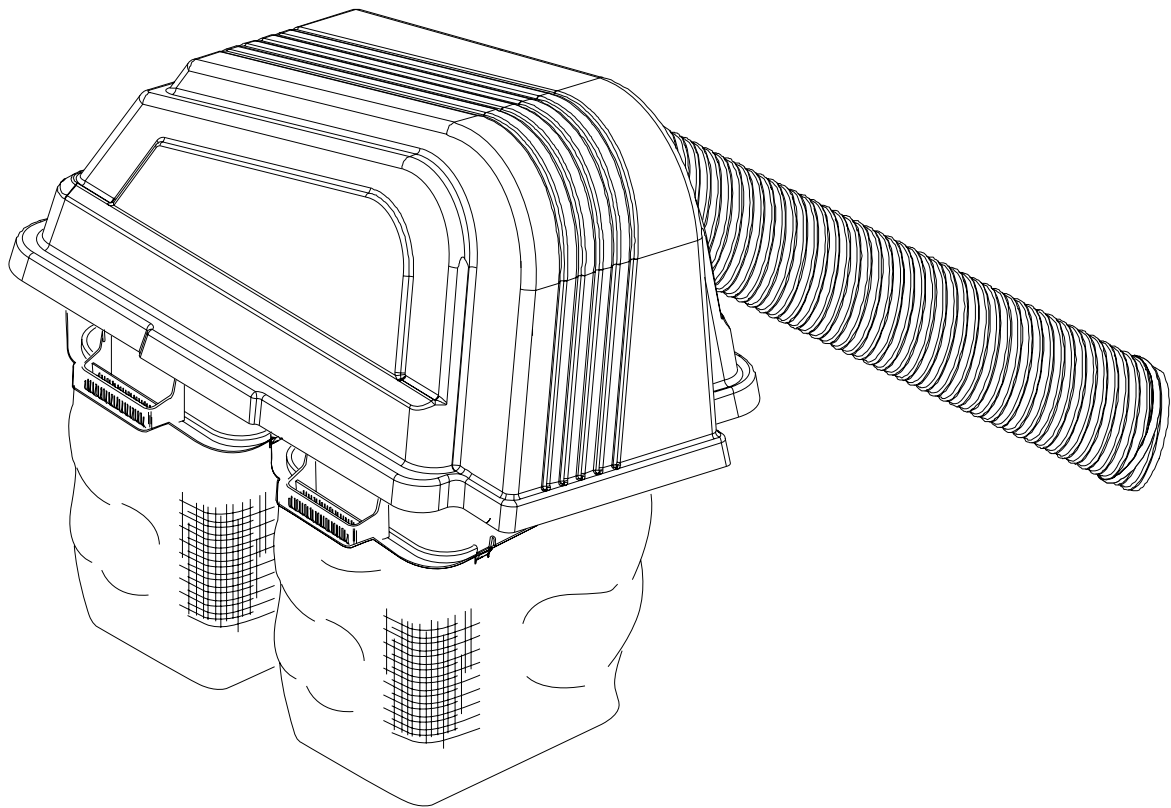
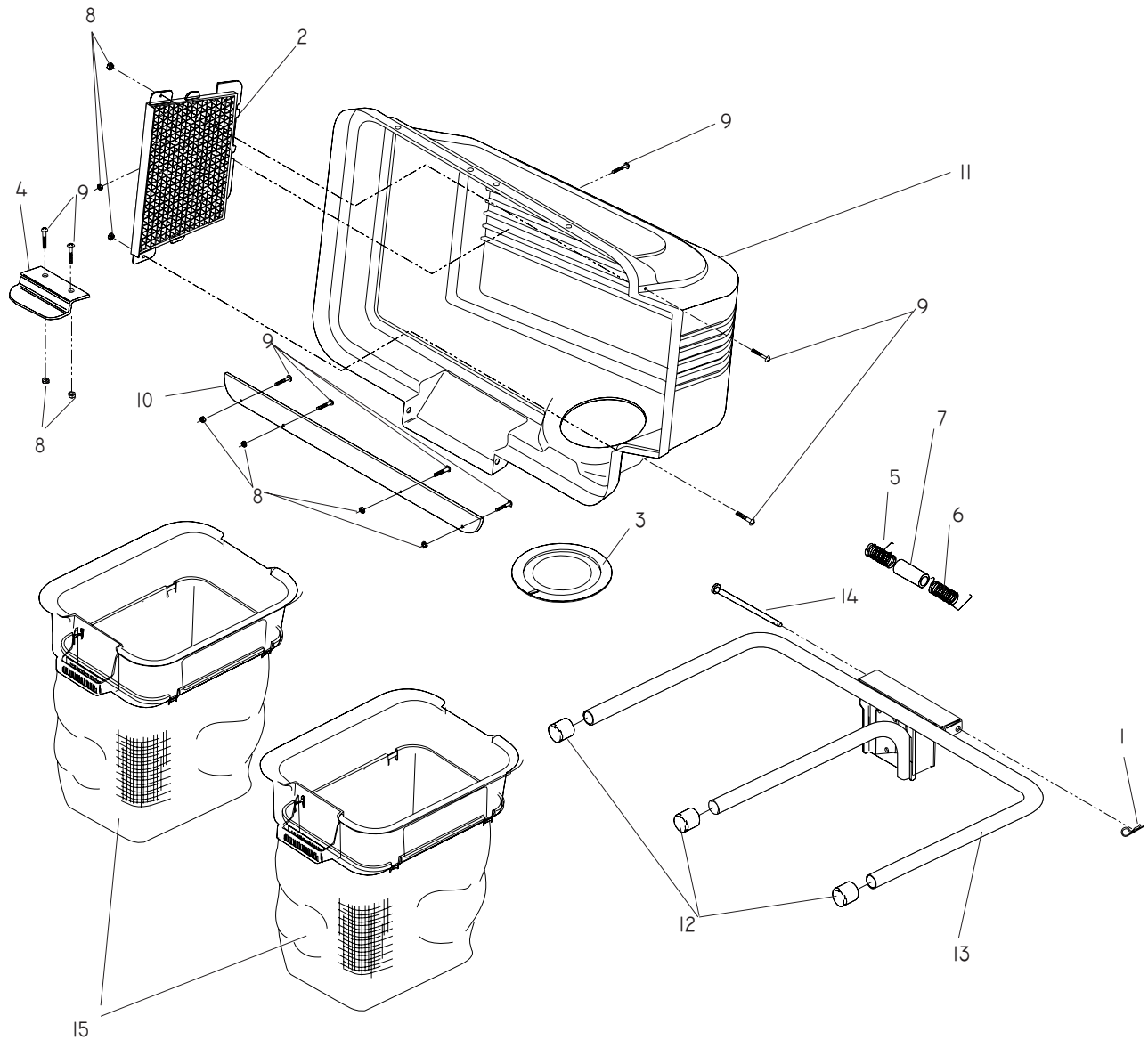


Illustrated Parts List



Grass Bagger
Dixon SpeedZTR 44"
Kit 539 131301

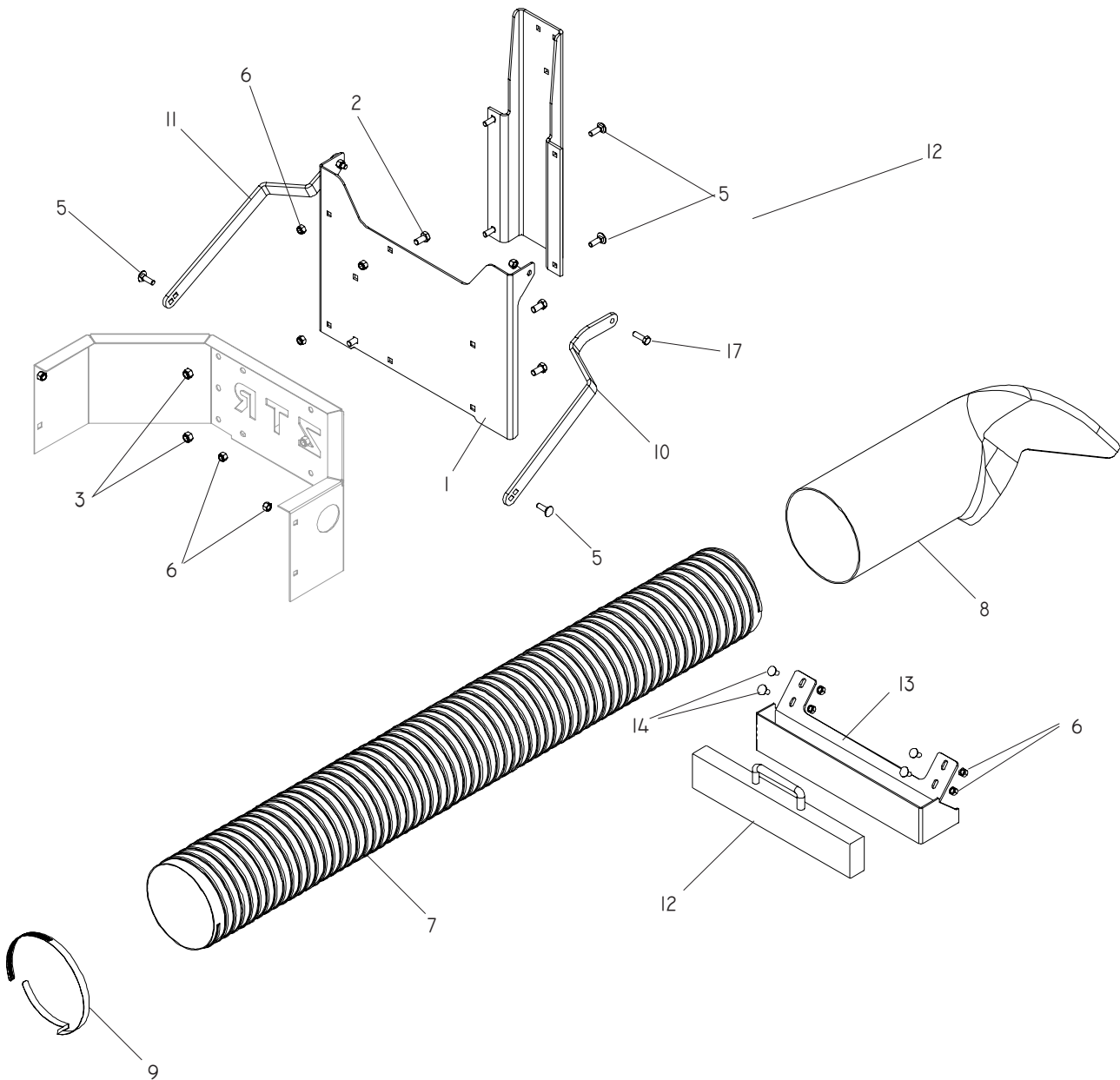
PARTS



ITEM	P/N	QTY.	DESCRIPTION
1	532 124670	1	RETAINER SPRING
2	532 127533	1	SCREEN, COVER
3	539 108100	1	GASKET, COVER
4	532 130895	1	LATCH. HANDLE, COVER
5	532 132796	1	SPRING COVER, LT
6	532 132983	1	SPRING COVER, RT
7	532 133235	1	SPACER, COVER
8	539 976977	8	NUT, 10-24 HEX W/NYLOC

ITEM	P/N	QTY.	DESCRIPTION
9	539 991034	8	10-24 x 5/8 WASHER HD ZD
10	532 414173	1	STRIP, REINFORCEMENT
11	532 160274	1	COVER TOP
12	532 174083	3	CAP PLUG TUBING END
13	532 414172	1	FRAME ASSEMBLY, 2-BIN
14	532 192786	1	PIN, HINGE PIVOT
15	532 400226	2	CONTAINER BAG SOFT

PARTS



ITEM	P/N	QTY.	DESCRIPTION
1	539 131279	1	SUPPORT - BAGGER
2	539 990134	4	HCS $\frac{3}{8}$ -16 x $\frac{3}{4}$ GR 5 ZD
3	539 976979	4	NUT $\frac{3}{8}$ -16 HEX NYLOC ZD
4	539 131277	1	BRACKET, HANGER
5	539 990208	6	RRSNB $\frac{5}{16}$ -18 X 1 GR 5 ZD
6	539 990717	8	NUT $\frac{5}{16}$ -18 HEX NYLOC ZD
7	539 115938	1	FLEX HOSE
8	539 131190	1	UPPER CHUTE

ITEM	P/N	QTY.	DESCRIPTION
9	539 115719	1	HOSE CLAMP
10	539 131282	1	SUPPORT STRAP - L.H.
11	539 131284	1	SUPPORT STRAP - R.H.
12	539 111587	1	CAST WEIGHT
13	539 114898	2	BRACKET, WEIGHT
14	539 990316	4	RHSNB $\frac{5}{16}$ -18 x $\frac{3}{4}$ GR5 ZD
15	539 990209	2	HCS $\frac{5}{16}$ -18 x 1 GR 5 ZD

