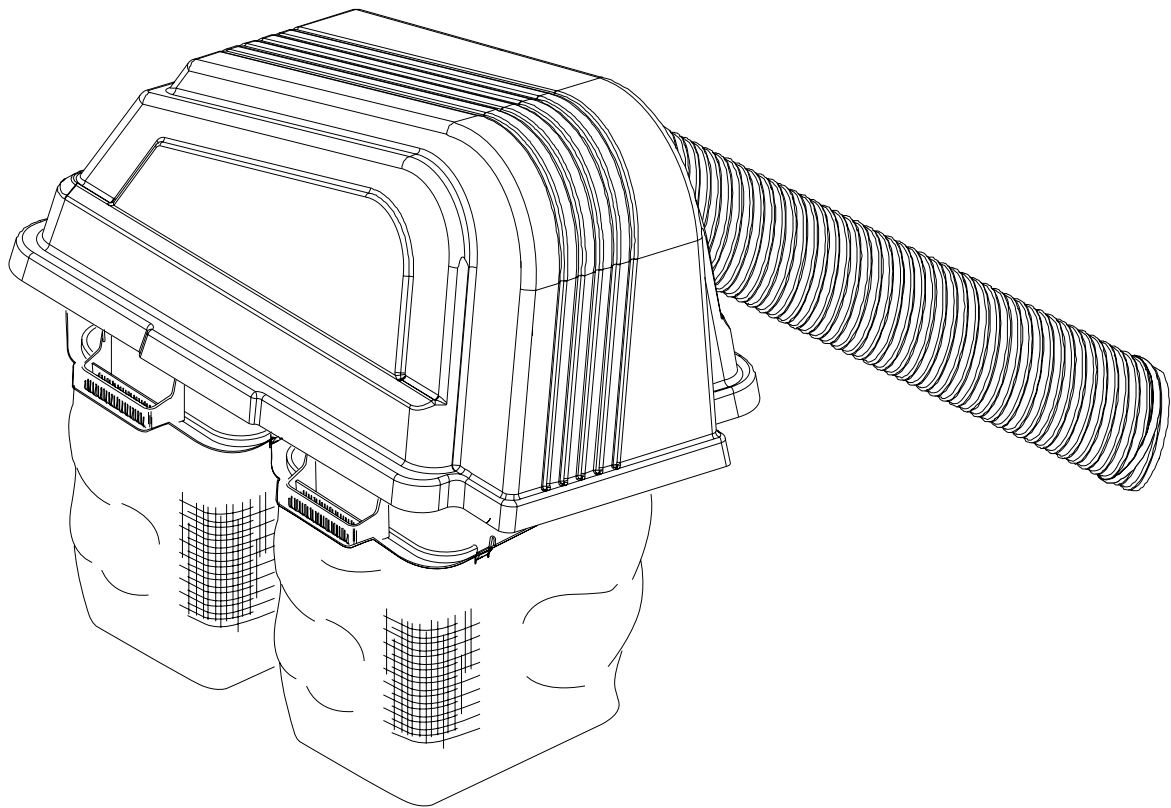


Illustrated Parts List

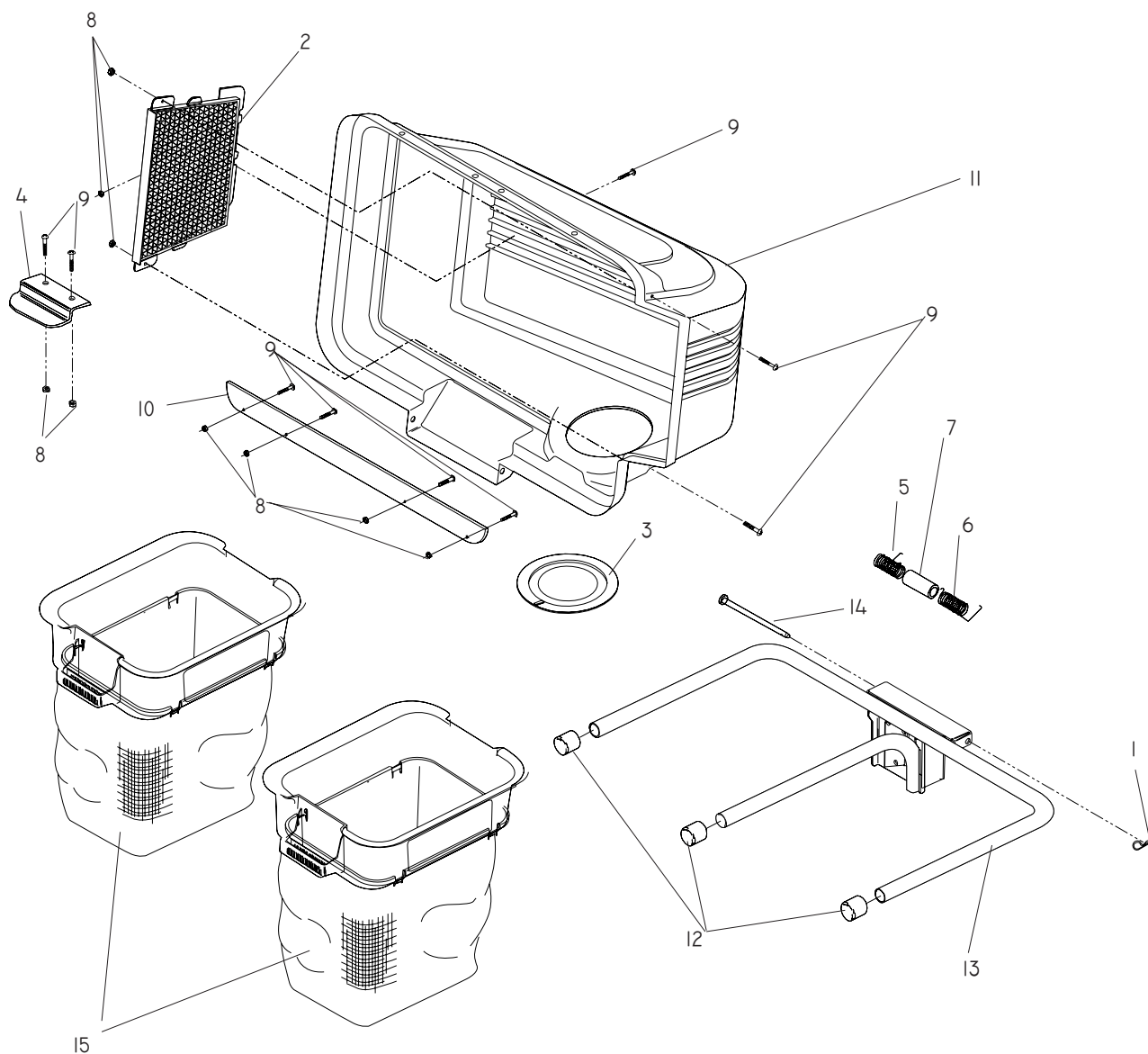


Grass Bagger

Dixon SpeedZTR 36"

Kit 539 131305

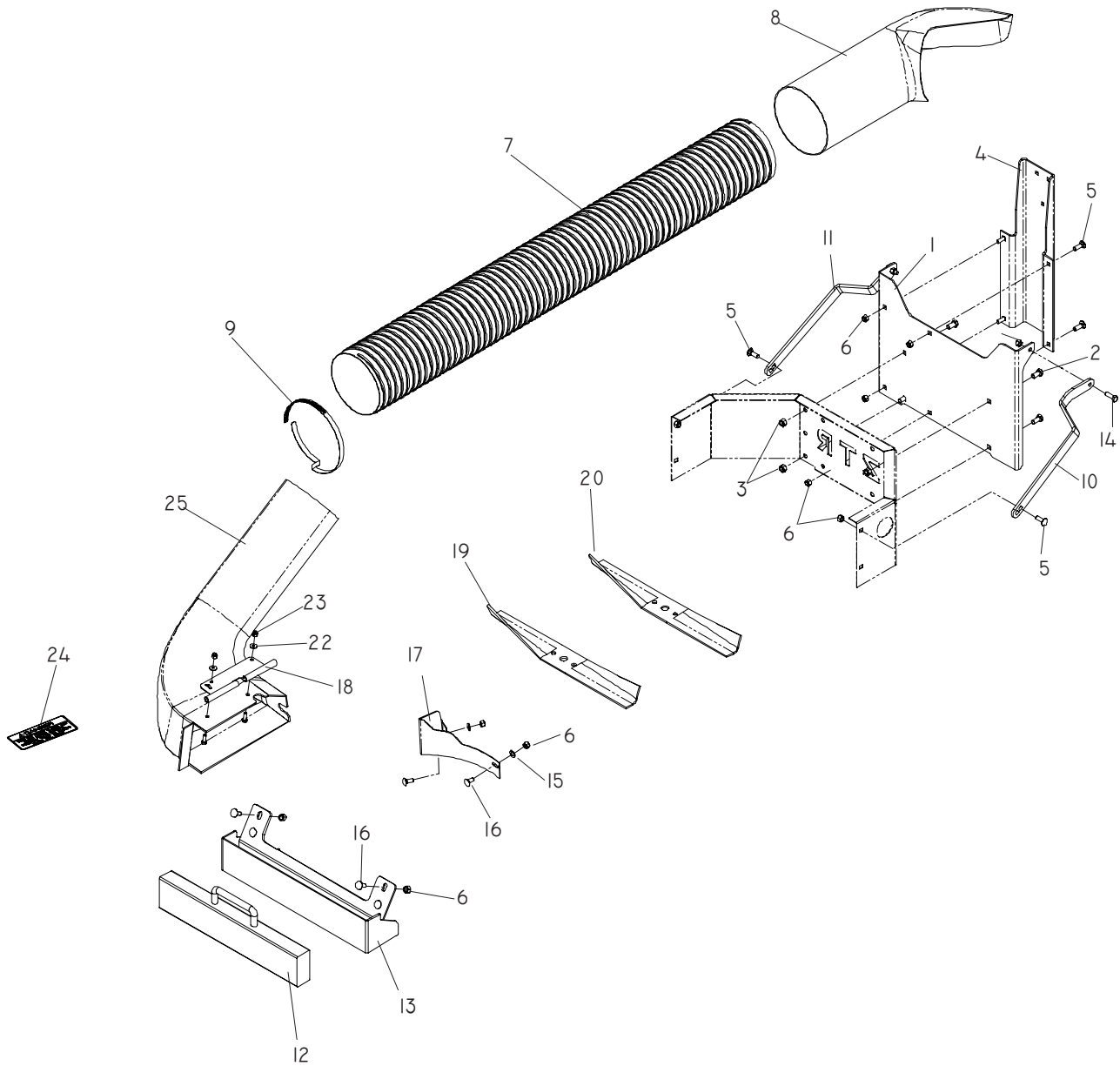
PARTS



ITEM	P/N	QTY.	DESCRIPTION
1	532 124670	1	RETAINER SPRING
2	532 127533	1	SCREEN, COVER
3	539 108100	1	GASKET, COVER
4	532 130895	1	LATCH. HANDLE, COVER
5	532 132796	1	SPRING COVER, LT
6	532 132983	1	SPRING COVER, RT
7	532 133235	1	SPACER, COVER
8	539 976977	8	NUT, 10-24 HEX W/NYLOC

ITEM	P/N	QTY.	DESCRIPTION
9	539 991034	8	10-24 x 5/8 WASHER HD ZD
10	532 414173	1	STRIP, REINFORCEMENT
11	532 160274	1	COVER TOP
12	532 174083	3	CAP PLUG TUBING END
13	532 414172	1	FRAME ASSEMBLY, 2-BIN
14	532 192786	1	PIN, HINGE PIVOT
15	532 400226	2	CONTAINER BAG SOFT

PARTS



PARTS

ITEM	P/N	QTY.	DESCRIPTION	ITEM	P/N	QTY.	DESCRIPTION
1	.. 539 131279 1	SUPPORT - BAGGER	14	.. 539 990209 2	HCS ⁵ / ₁₆ -18 x 1 GR 5 ZD
2	.. 539 990134 4	HCS ³ / ₈ -16 x ³ / ₄ GR 5 ZD	15	.. 539 990188 2	WASHER, ⁵ / ₁₆ , SAE
3	.. 539 976979 4	NUT ³ / ₈ -16 HEX NYLOC ZD	16	.. 539 990316 6	RHSNB, ⁵ / ₁₆ -18 X ³ / ₄ , GR5
4	.. 539 131277 1	BRACKET, HANGER	17	.. 539 115243 1	BAFFLE
5	.. 539 990208 6	RRSNB ⁵ / ₁₆ -18 X 1 GR 5 ZD	18	.. 539 116715 1	DISCHARGE MOUNT BRCKT
6	.. 539 990717	.. 14	NUT ⁵ / ₁₆ -18 HEX NYLOC ZD	19	.. 539 115244 1	HI LIFT BLADE, 36", RIGHT
7	.. 539 115938 1	FLEX HOSE, 50"	20	.. 539 115245 1	HI LIFT BLADE, 36", LEFT
8	.. 539 131190 1	UPPER CHUTE	21	.. 539 990580 2	HCS, ¹ / ₄ -20 X ³ / ₄ , GR5
9	.. 539 115719 1	HOSE CLAMP	22	.. 539 990055 2	WASHER, ¹ / ₄ , SAE
10	.. 539 131282 1	SUPPORT STRAP, LEFT	23	.. 539 976978 2	NUT, ¹ / ₄ -20, NYLOC
11	.. 539 131284 1	SUPPORT STRAP, RIGHT	24	.. 539 115401 1	DECAL, G.C. WARNING
12	.. 539 121399 1	CAST WEIGHT	25	.. 539 116714 1	DISCHARGE ADAPTER
13	.. 539 131343 1	WEIGHT BOX				

