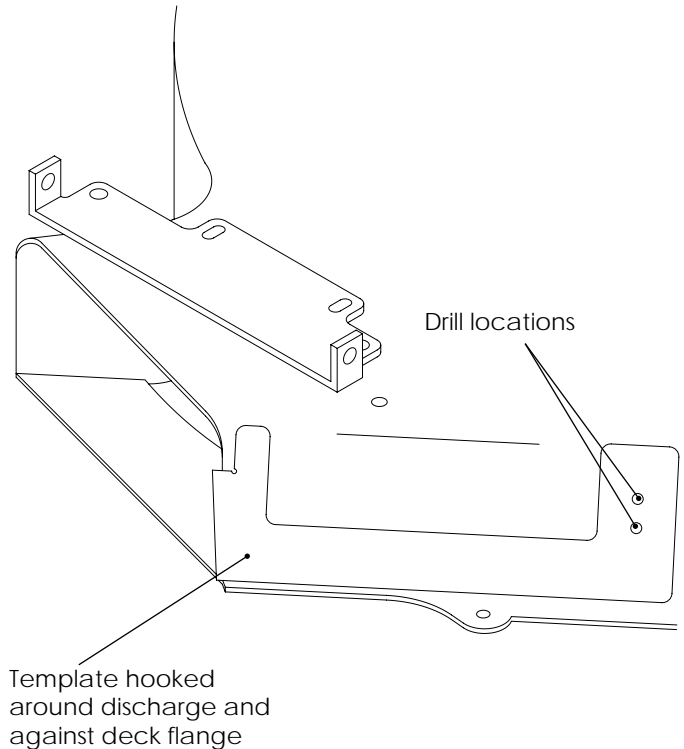


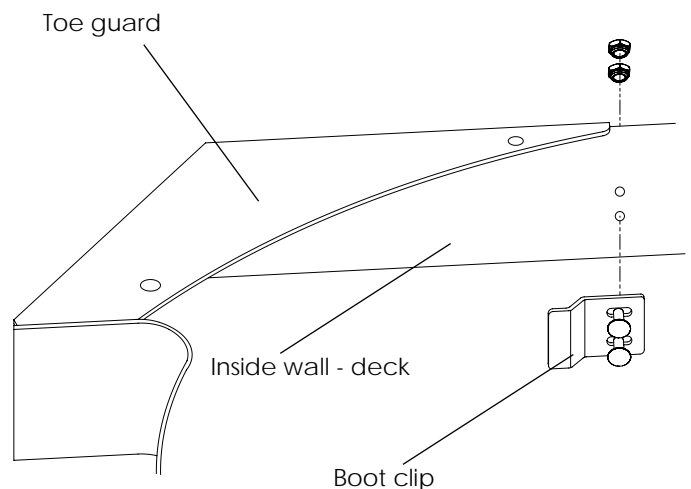
INSTALLATION INSTRUCTIONS

30" MULCHING KIT - P/N 539 115035

1. Remove mower deck from machine. Refer to Operator's Manual, if necessary.
2. Remove deflector from deck. Retain deflector mounting pin and cotter pin to attach Mulcher Plug Assembly.
3. Install mulcher blade in place of existing mower blade.
NOTE: When converting mower back to bagging or discharging, it is recommended that standard mower blades be put back on machine.
4. Position template against the mower deck, with the bottom against the flanged area of the deck. Hook the template's left side around the front wall of the discharge chute, as illustrated.
5. Drill two $\frac{9}{32}$ " holes in the deck at the locations indicated on the template.

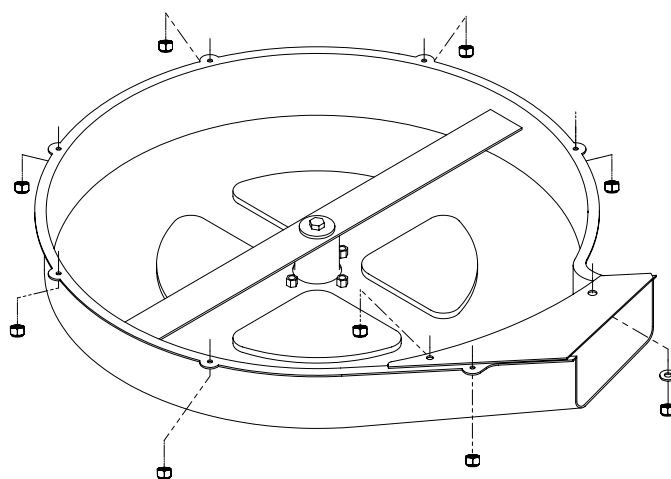
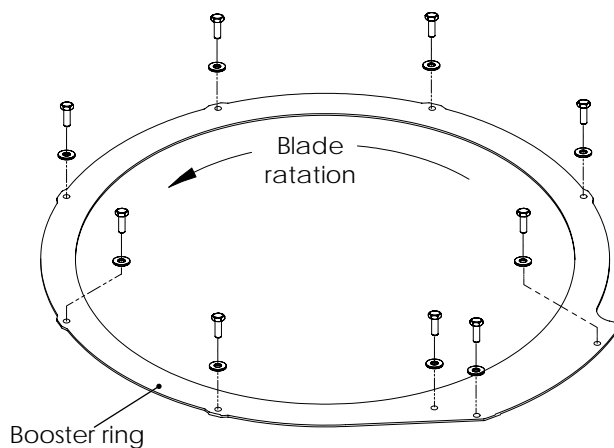


6. Turn mower deck upside down. Attach boot clip to inside wall of mower deck in the newly drilled holes. Use two $\frac{1}{4}$ -20 x $\frac{1}{2}$ " carriage bolts and thin profile nuts. For adjustments during final installation, do not fully tighten hardware.



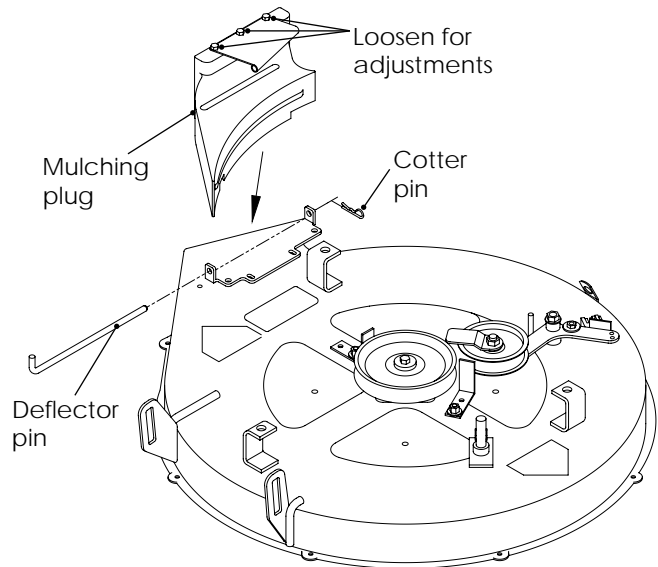
INSTALLATION INSTRUCTIONS

7. Position the booster ring on the bottom of the deck.
8. Attach booster ring to deck by installing nine bolts and washers to outside of ring. Secure booster ring with eight nuts. Secure bolt at rear of discharge opening by using washer along with a nut. Refer to illustration.



INSTALLATION INSTRUCTIONS

9. Prop up mower deck to access both sides.
10. Install mulcher plug into the discharge opening. Front end of mulcher plug must slide under raised lip of boot clip from Step #6. Attach the mulcher plug to the deck using deflector pin and cotter pin removed in Step #2, as illustrated.
11. Adjust for best fit. The bolts on top of mulcher plug may be loosened to allow the plug to slide into the most desirable location in mower deck. With correct installation, the smallest possible gaps is needed between the plug and the deck walls.
12. Adjust boot clip installed in Step #6. Slots will allow it to slide into position to best retain the front end of the mulcher plug. Tighten all hardware.

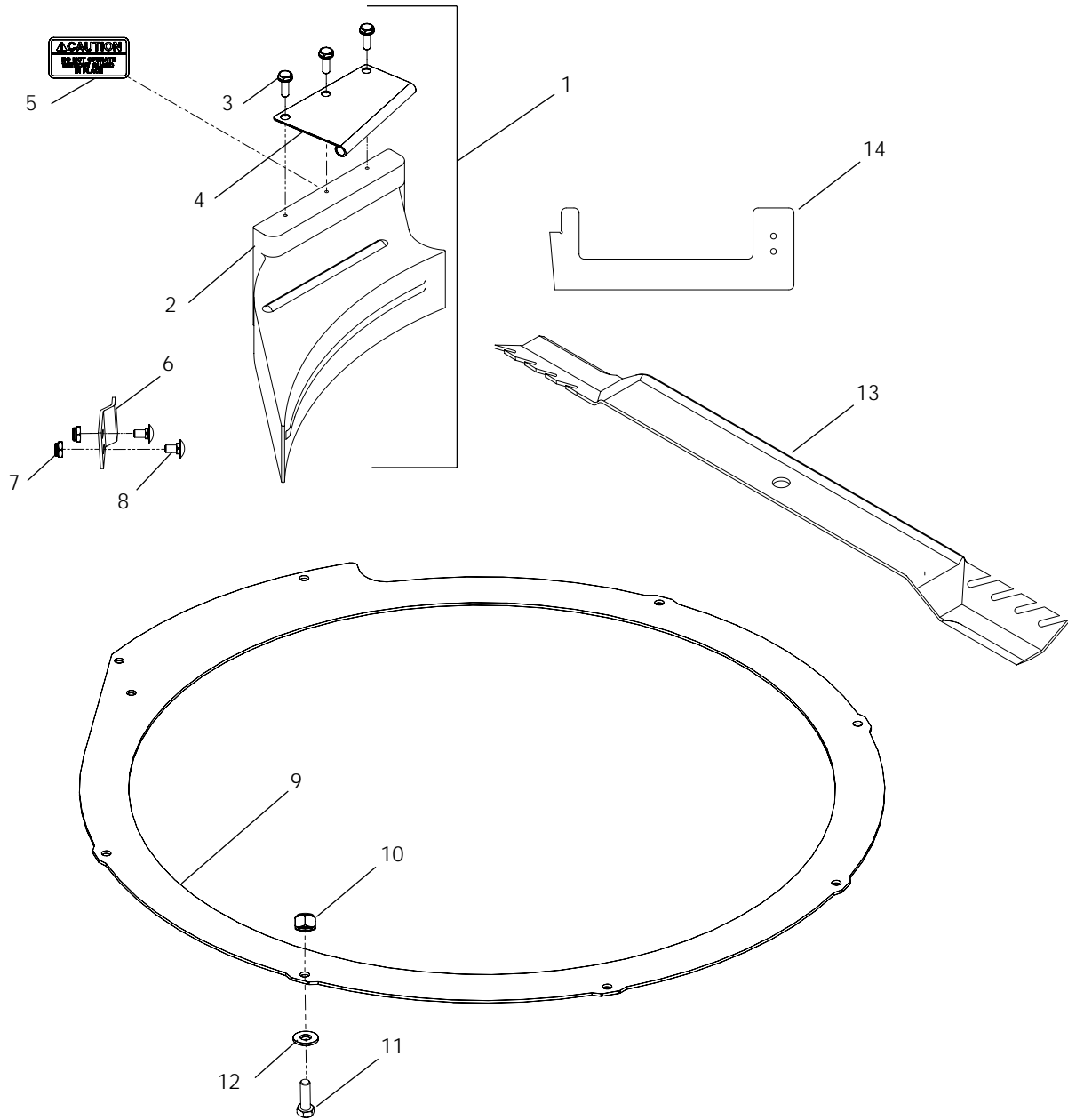


WARNING!

Contact between blade and mulcher parts may result in serious injury.

13. Rotate mower blade several times to check for sufficient clearance with all parts. Reinstall mower deck to machine. Refer to Operator's Manual, if necessary.

PARTS LIST



ITEM	PART NO.	QTY.	DESCRIPTION	ITEM	PART NO.	QTY.	DESCRIPTION
1.	539 115341	1	MULCHING PLUG ASSEM	8.	539 111777	2	BOLT ¼-20 x ½ CARRIAGE
2.	539 115339	1	MULCHING PLUG	9.	539 119910	1	BOOSTER RING
3.	539 115640	3	SCREW ¼-20 x ½ SLF TAP	10.	539 976978	9	NUT ½-20 HEX NYLOC
4.	539 115340	1	BRACKET, MULCH PLUG	11.	539 990580	9	BOLT ½-20 x ¾ HEX HD
5.	539 115715	1	DECAL, CAUTION	12.	539 990055	9	WASHER ¼ FLAT SAE
6.	539 116379	1	BOOT CLIP	13.	539 119846	1	BLADE
7.	539 108120	2	NUT ¼-20 THIN NYLOC	14.	539 115388	1	TEMPLATE