

INSTALLATION INSTRUCTIONS

42" DECK MULCH KIT, 966412901

1. Block the front of the mower up to give access to the underside of the front deck. Clean any grass out from underneath the deck.
2. With the discharge chute up, place the baffle up under the deck and install with hardware provided. See illustration on next page for orientation of hardware.
3. Using hardware provided, fasten the discharge cover plate to the deck and baffle. See illustration.



WARNING!

Blades are sharp. Protect your hands with gloves and/or wrap blades with a heavy cloth when handling.



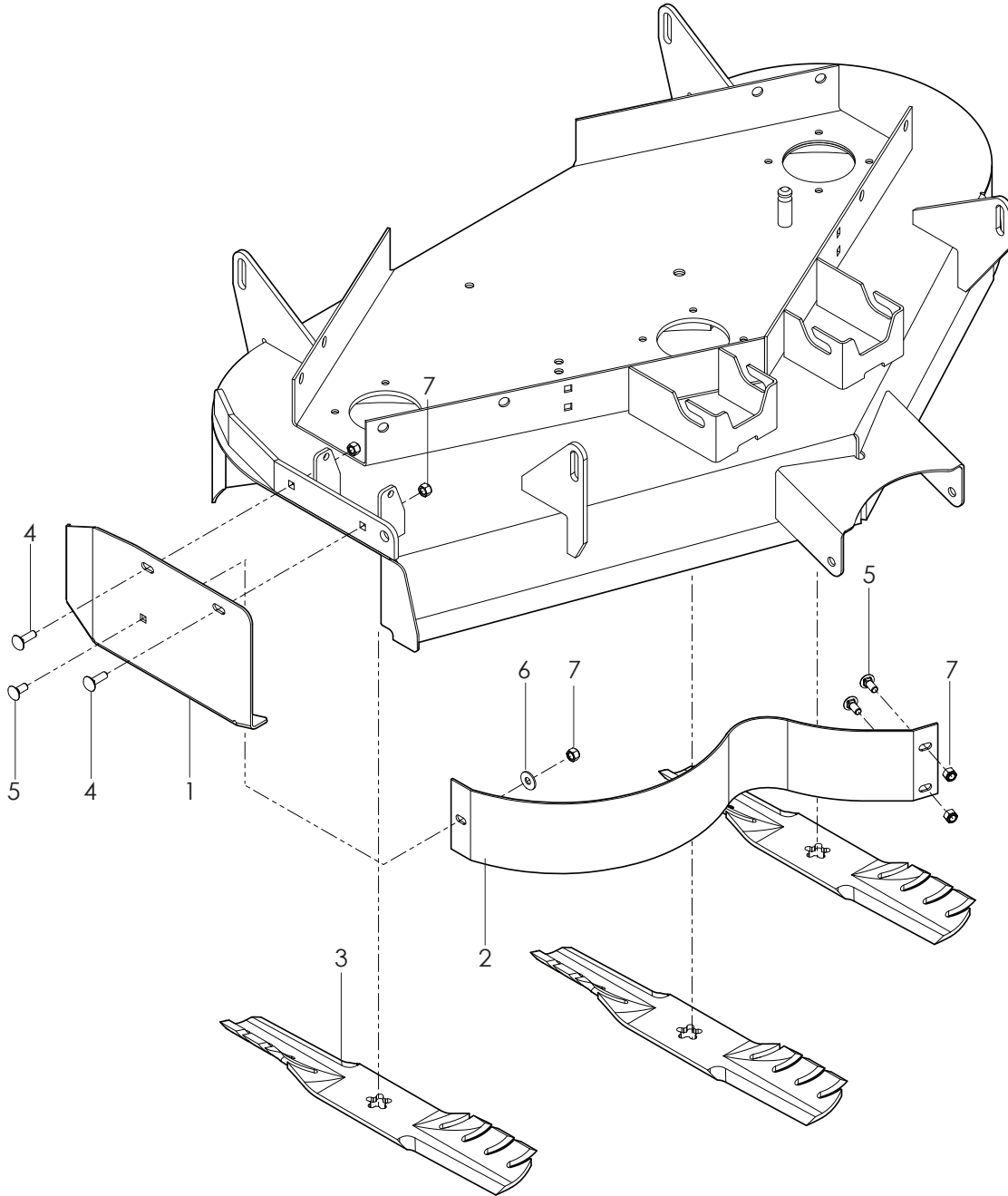
4. Remove old cutting blades, save hardware.
5. Install the three new blades using saved hardware. Torque blades to 45-55 ft/lbs.
6. Rotate the blades by hand and check for clearance of the baffle.
7. Make sure all hardware is tight and remove blocks and return the mower to its normal position.

To ensure acceptable mulching performance, follow these guidelines:

1. The amount of grass that is to be cut off in one pass should not exceed $\frac{1}{3}$ of the total grass height. Example: If the grass height is 3" the mower deck cutting height should not be set less than 2".
2. Ground speed should normally be reduced to allow clippings to be finely mulched.
3. Engine RPM should be set at maximum.
4. Blades must be kept sharp.
5. The underside of deck should be cleaned out often to prevent grass accumulation.
6. Conditions must be dry. Wet grass does not mulch well and grass will accumulate under deck.

IMPORTANT: BEFORE PROCEEDING, PLACE ALL CONTROLS IN THE DISENGAGED OR THE OFF POSITION, REMOVE SPARK PLUG WIRES FROM THE SPARK PLUGS.

PARTS LIST



ITEM	PART NO.	QTY.	DESCRIPTION
1..	539 112346....142		MULCH CAP
2..	539 112419....142		MULCH BAFFLE
3..	573 953001....3		BLADE, 14 ⁵ / ₈ "
4..	539 990208....2		RHSNB ⁵ / ₁₆ -18 x 1
5..	539 990316....3		RHSNB ⁵ / ₁₆ -18 x ³ / ₄
6..	539 990692....1		WASHER ⁵ / ₁₆
7..	539 990717....5		NUT ⁵ / ₁₆ -18, NYLOC