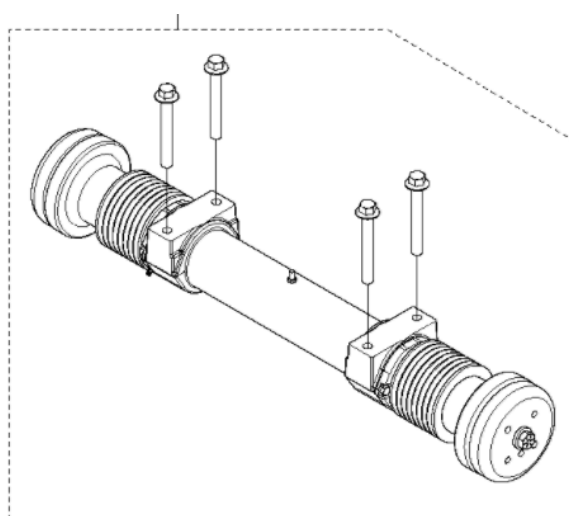


SB, Heavy duty blade shaft, FS 7000 D, FS 7000 DL, 2017-06

SYMPTOM/DESCRIPTION

We have now released kits for heavy duty blade shafts for field installation on FS 7000 D and FS 7000 DL.

The blade shafts have Loui pattern on the flanges and are designed for extra tough applications.



AFFECTED UNITS

FS 7000 D and FS 7000 DL.

PARTS INFORMATION

Art. no.	Diam.	Gear box type	Comments
591 39 50-01	26"	1-speed gear box	Large axle, field installed
591 39 50-01	26"	3-speed gear box	Large axle, field installed
591 39 49-01	30"	1-speed gear box	Large axle, field installed
591 39 50-01	30"	3-speed gear box	Large axle, field installed
590 20 06-01	36"	1-speed gear box	Large axle, field installed
590 19 99-01	36"	3-speed gear box	Large axle, field installed
590 20 05-01	42"	1-speed gear box	Large axle, field installed
590 20 00-01	42"	3-speed gear box	Large axle, field installed
590 20 03-01	48"	1-speed gear box	Large axle, field installed
590 20 01-01	48"	3-speed gear box	Large axle, field installed

WARRANTY INFORMATION

The normal warranty policy applies.