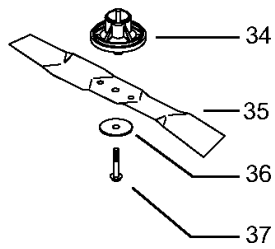
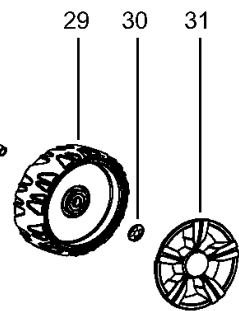
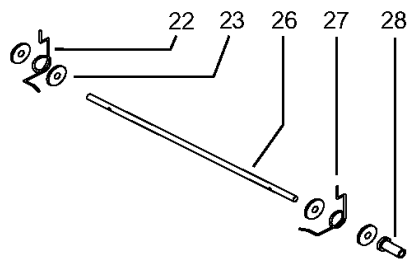
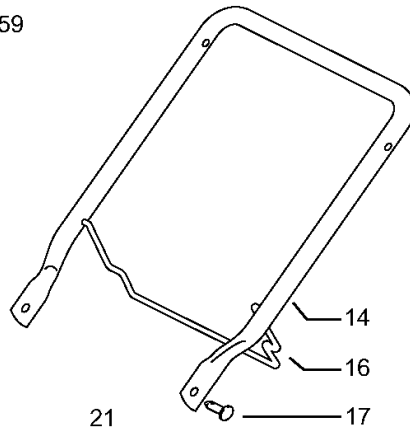
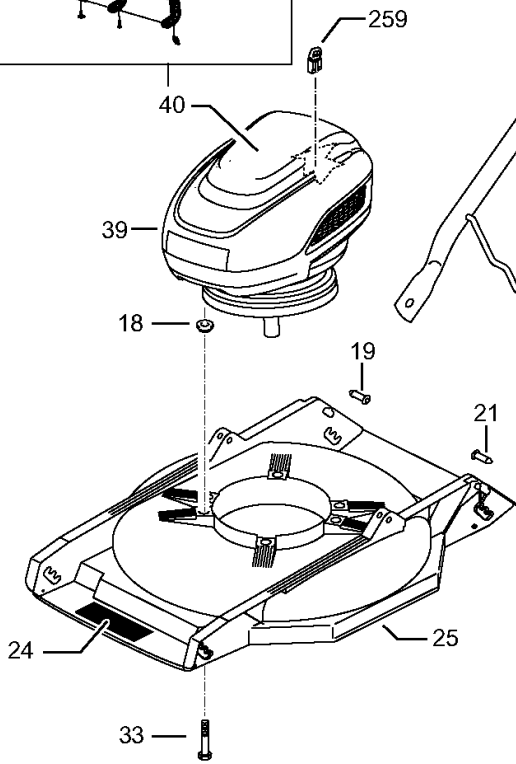
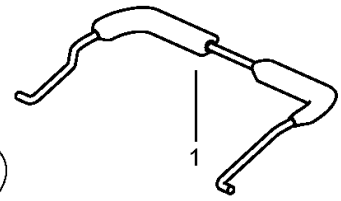
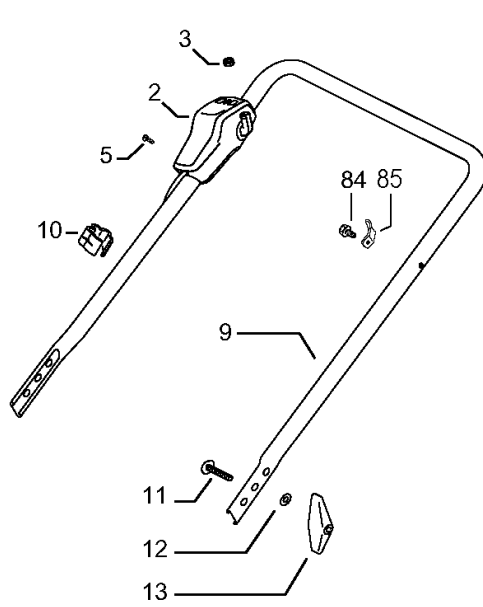
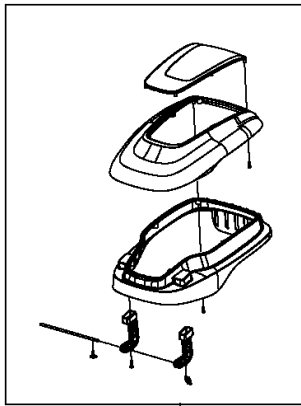
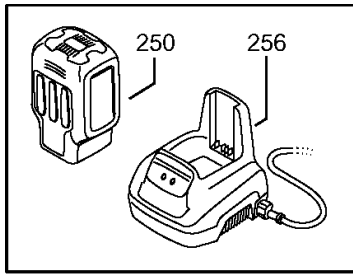




SPARE PARTS LIST

LAWN MOWERS: CONSUMER
WALK-BEHINDS

Li58-26 M46 M, 96791110100, 2019-02



PRODUCT COMPLETE

Li58-26 M46 M, 96791110100, 2019-02

Ref	Part No	Description	Remark	QTY	KIT
1	593 88 53-01	BAIL ARM ASSY	bail	1	
2	593 85 21-02	SWITCHBOX ASSY	McCulloch switch	1	39
3	592 80 45-01	RING		1	2
5	593 01 34-01	SCREW		2	
9	594 08 44-02	HANDLE	upper	1	
10	593 12 96-01	CABLE HOLDER		2	
11	514 99 45-01	BOLT		2	
12	514 02 66-03	WASHER		2	
13	512 79 31-67	WING NUT	M8	2	
14	595 84 12-02	HANDLE	lower	1	
16	582 78 52-01	BAIL	up stop	1	
17	578 29 25-01	PIVOT PIN		2	
18	510 77 00-00	BUSH DECK INSULATOR		3	
19	578 29 26-01	INSERT		1	
21	578 29 26-02	INSERT		1	
22	513 10 45-00	SPRING	r/h	2	
23	583 94 38-01	WASHER		8	
24	581 02 17-01	DECAL	McCulloch logo	1	
25	510 69 40-67	DECK		1	
26	513 10 28-01	AXLE		2	
27	513 10 45-01	SPRING	l/h	2	
28	513 90 60-01	BUSHING		4	
29	574 45 08-01	WHEEL ASSY		4	
30	514 90 31-00	STARLOCK		4	
31	574 39 63-01	HUB CAP		4	
33	576 62 16-01	SCREW		3	
34	512 79 42-00	ADAPTER		1	
35	583 97 40-10	BLADE		1	
36	515 79 60-01	WASHER		1	
37	584 81 23-01	SCREW		1	
39	590 91 75-10	MOTOR ASSY		1	
40	593915202	TBD	motor	1	39
84	532 17 88-48	SCREW		1	
85	532 12 51-62	PLATE		1	
250	590 92 38-06	BATTERY		1	
256	590915118	TBD		1	
259	596 01 81-02	KEY		1	